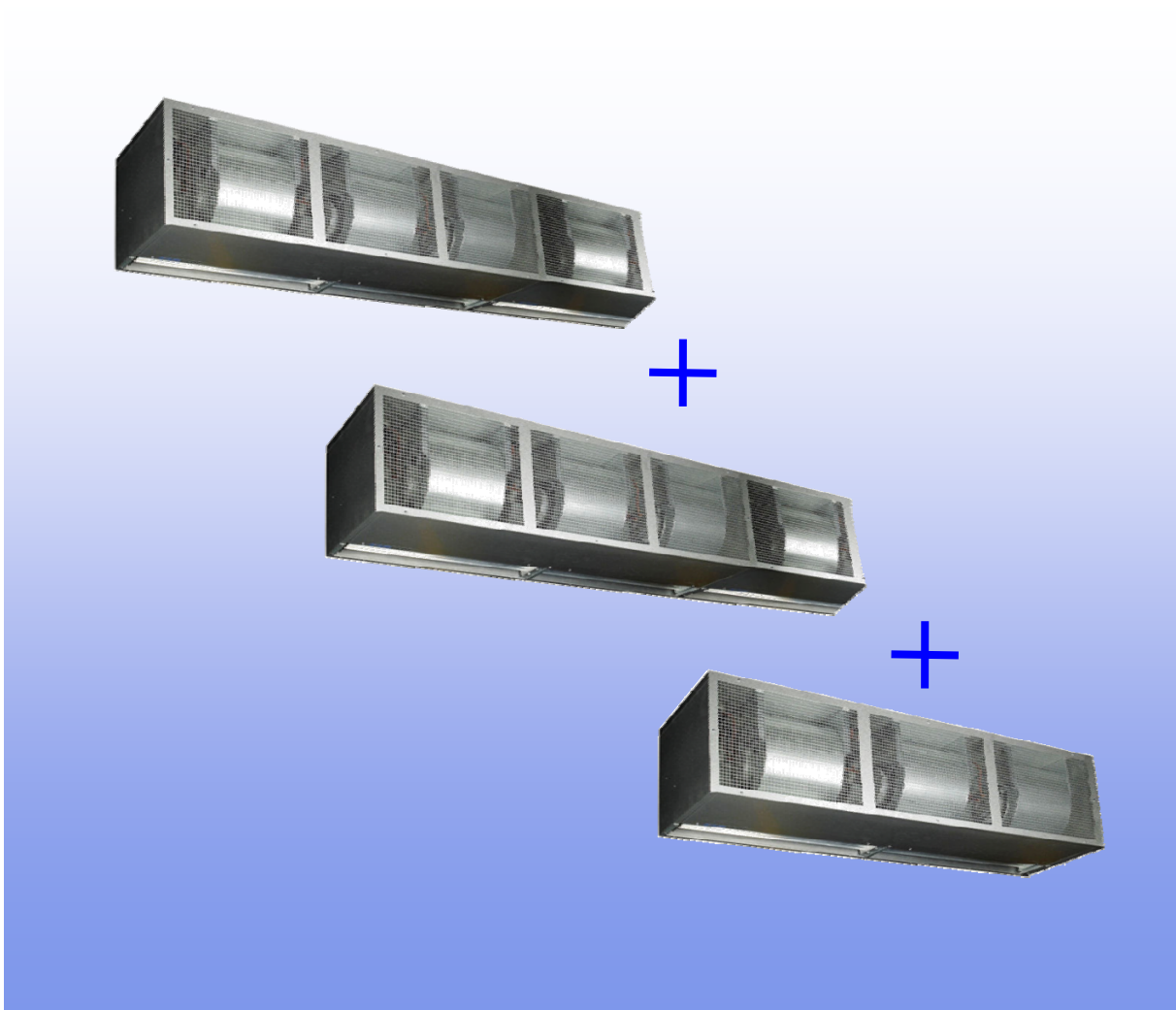


AB 625 AMBIENT AIR CURTAIN



WARNINGS

1. This appliance must only be installed, commissioned and serviced by competent persons in accordance with the requirements of the codes of practice or the rules in force.
2. All external wiring **MUST** comply with the current IEE wiring regulations.
3. This appliance **MUST** be earthed.

! These air curtains should be commissioned by a competent person to ensure safe and efficient operation. This bulletin assumes that the air curtain has been installed in accordance with the details in the instruction manual, document reference **GB/AIR/039/0309**

Isolate electricity supplies before commencing any work.

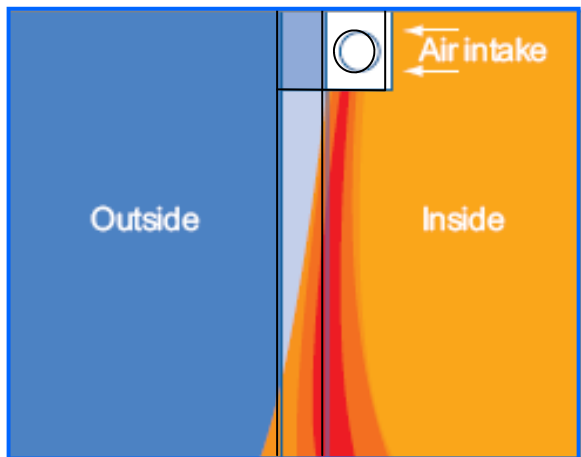
The AB 625 air curtain consists of three modules made up as follows:
 2 off AB 225 four fan modules.
 1 off AB 175 three fan module.

Mechanical

Ensure that the three air curtain modules are bolted together squarely and securely, and that they are level across the top of the door opening.

Ensure there are no obstructions on or around the air intake grilles.

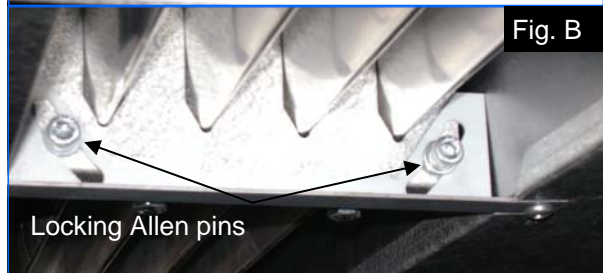
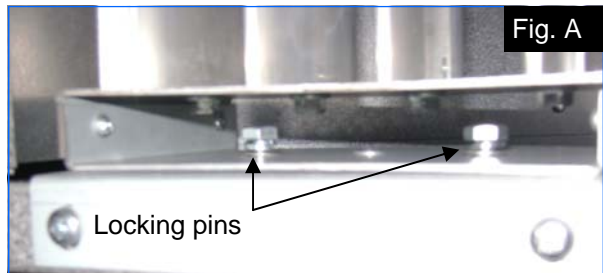
When the fans are running, there should be no excessive vibration. (See `electrical` section).



Correct pattern of airflow

It may be necessary to adjust the position of the air outlet louvres to provide the correct airflow across the door opening as shown in the above diagram. This can be done by first loosening the four locking pins located two at each end of the louvres of each module (arrowed, Fig. A), then loosening the intermediate locking Allen pins (arrowed, Fig. B). The louvres can now be moved to the desired position and the locking pins re-tightened.

Note: The four fan modules have two pairs of intermediate locking Allen pins, whereas the three fan module only has one pair.



Electrical

Ensure that the control panel feed cable, and interconnecting cables are the correct type and rating for the air curtain, and that they are wired in accordance with the control panel wiring diagram provided.

Important, make sure that the door is closed and the limit switch arm is activated by the door limit switch striker plate.

Switch on power to the control panel.

Select **low** speed on the control panel rotary selector switch.

Switch control panel rotary door switch to the **on** position. The panel live lamp should illuminate.

Switch the control panel auto/off/manual switch to the **manual** position, the fans should now run in low speed. Select **medium** and **high** speeds in turn, checking that the speeds change.

Switch the control panel auto/off/man switch to the **auto** position, open the door, the fans should now only run when the door is in the raised position. When the door is closed the fans should not run.

Run the fans in high speed, then using a clip on ammeter, check the current in the outgoing cable from terminals 9 and 14 in the control panel, (four fan modules), this should be 23A max. Check the current in the outgoing cable from terminal 19 in the control panel, (three fan module), this should be 18A max.

An AmbiRad Group brand



AmbiRad Limited Fens Pool Avenue
 Brierley Hill West Midlands DY5 1QA
 United Kingdom.

Telephone 01384 489700
 Facsimile 01384 489707
 Email marketing@airbloc.co.uk
 Website www.airbloc.co.uk



Airbloc is a registered trademark of AmbiRad Limited. Because of continuous product innovation, AmbiRad reserve the right to change product specification without due notice.