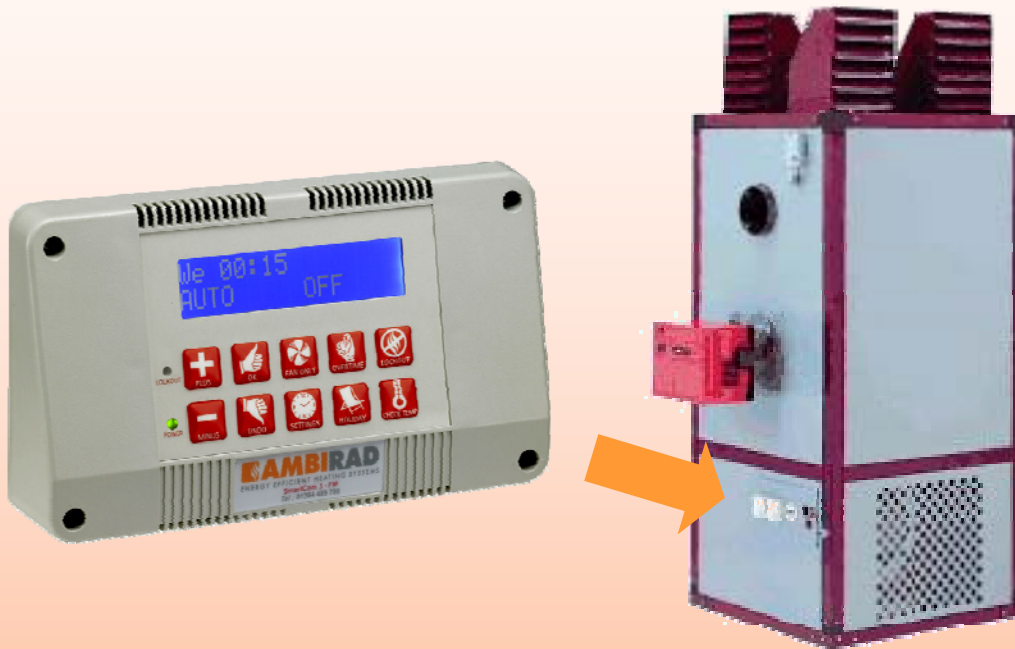


SMARTCOM3 FM TO CABINET HEATER MOUNTING KIT INSTALLATION



INDEX	Section
General Information -----	1
Parts Requirement -----	2
Instructions -----	3

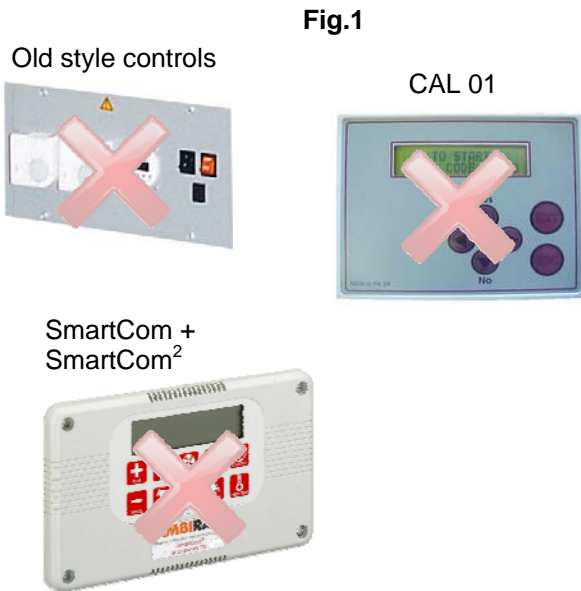
WARNINGS

AmbiRad equipment must be installed and maintained in accordance with the relevant provisions of the Gas Safety (Installations and Use) Regulations 1998 for gas fired products, and the current edition of the OFTEC regulations for oil fired products. Due account should also be taken of any obligations arising from the Health and Safety at Works Act 1974 or relevant codes of practice. In addition the installation must be carried out in accordance with the current IEE wiring regulations (BS 7671), BS 6896:2005 (Industrial & Commercial) and any other relevant British Standards and Codes of Practice by a qualified installer. All external wiring MUST comply with the current IEE wiring regulations.

1. General Information.

This bulletin describes the procedures to be carried out when fitting the new SmartCom 3 FM controller as a replacement for the original thermostat controls, CAL 01 controller, or earlier Smartcom and SmartCom² controllers onto VCH/VCHE gas/oil fired vertical cabinet heaters. See Figs.1 and 2

The SmartCom 3 FM controller is supplied under AmbiRad part Nos. **SC3-FM-VKIT** and **SC3-FM-HKIT** complete with a kit of parts containing the components required to fit the controller onto the cabinet heater.



2. Parts Requirement.

* The kit required depends on the size of the cabinet heater. AmbiRad part Nos. are:

SC3-FM-VKIT (VCH 100/150, VCHE 30/40) or **SC3-FM-HKIT** (all other vertical models)

The kits contain the parts in the following table:

Part No.	Quantity	Description
SC3-FM	1	SmartCom 3 FM controller
300048	1	Vertical mounting plate * (SC3-FM-VKIT)
300049	1	Horizontal mounting plate * (SC3-FM-HKIT)
CHFH	1	Fuseholder
2617	1	Fuse (6.3A)
202165	4	Fixing screws
TB/046/12090	1	Technical bulletin

3. Instructions.

! Before commencing any work ensure that both the gas/oil and electricity supplies are turned OFF.

1: Remove the four screws securing the original controls panel to the heater, and withdraw to reveal the interconnecting wiring.

2: Identify the four cables which run into the heater (**red**, **blue**, **black**, **grey**). These should already be connected to heater terminals **1,2,4** and **6** respectively.

3: Disconnect these four cables from the old controls.

4: Connect cables to the new SmartCom FM terminals as shown in the wiring diagram below.

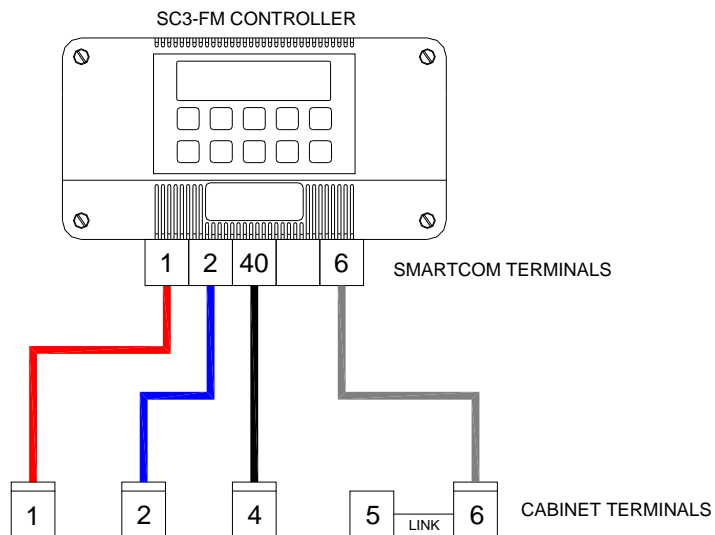
5: Fit the new SmartCom FM to the heater using the four screws provided in the kit.

6: Re-instate the gas/oil and electricity supplies.

7: Set up the new SmartCom FM if required following the instructions in the supplied manual.

8: Test the heater for correct operation.

Wiring diagram



Notes.

An AmbiRad Group brand



AmbiRad Limited Fens Pool Avenue
Brierley Hill West Midlands DY5 1QA
United Kingdom.



Telephone 01384 489700
Facsimile 01384 489707
Email marketing@ambirad.co.uk
Website www.ambirad.co.uk
Technical Support www.s-i-d.co.uk



AmbiRad is a registered trademark of AmbiRad Limited. Because of continuous product innovation, AmbiRad reserve the right to change product specification without due notice.