

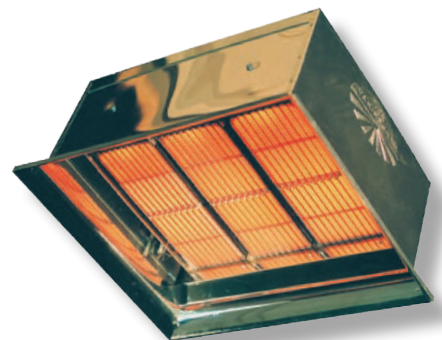


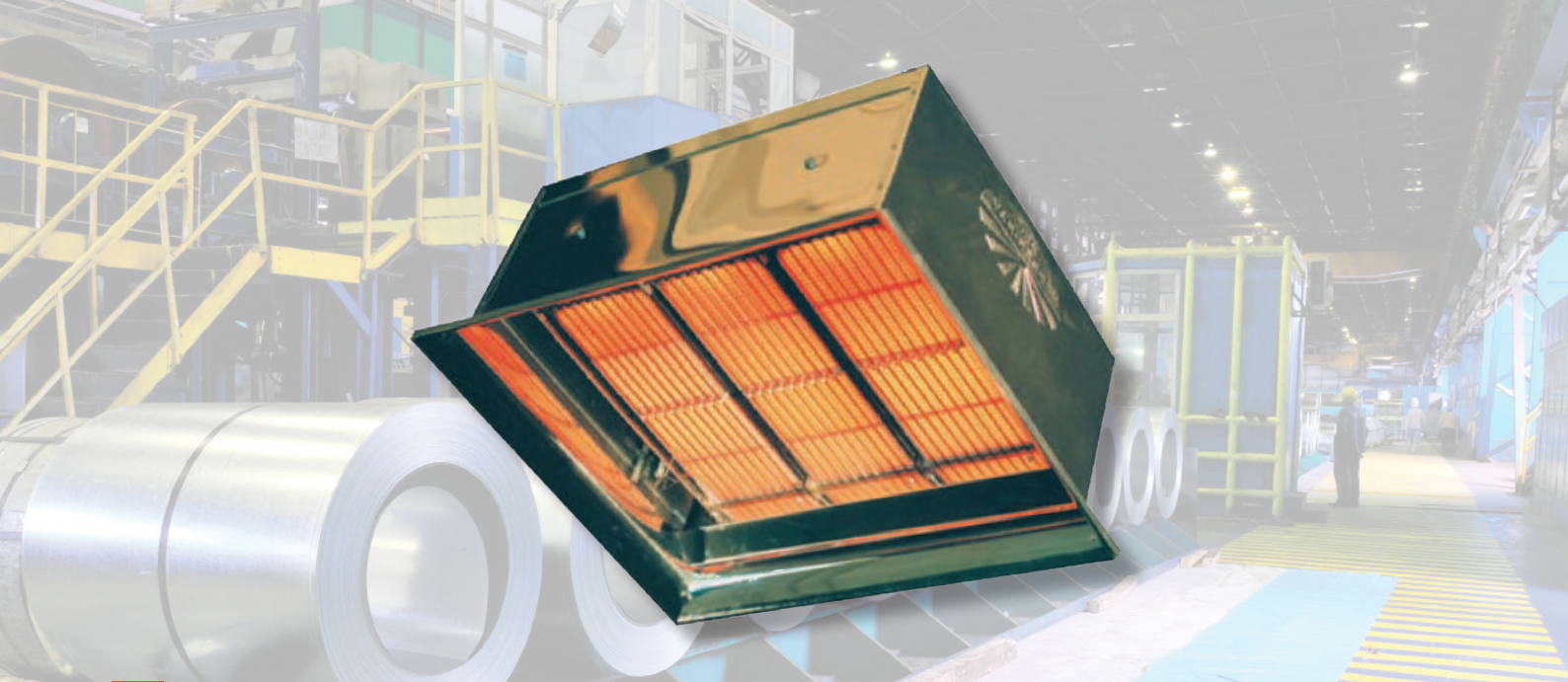
AMBI RAD

RV

Radiant Plaque Heating

 **NORTEK**[™]
GLOBAL HVAC





RV

Radiant Plaque Heating

The RV Series represents today's most popular line of gas-fired, infra-red heaters.

This unvented heater is ideal for use in many applications including areas of high air filtration, high ceilings and spot heating.

The RV Series offers exclusive design features, a proven history and a variety of kW and control options.

Model Range

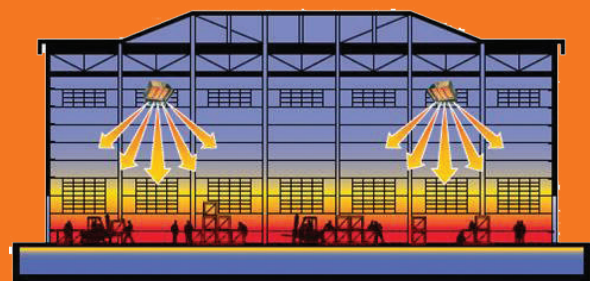
The RV plaque heaters are available in five sizes, with heat inputs ranging from 8.8kW to 46.9kW.

Applications

- > Churches
- > Factories
- > Sports Halls
- > Warehouses
- > Workshops

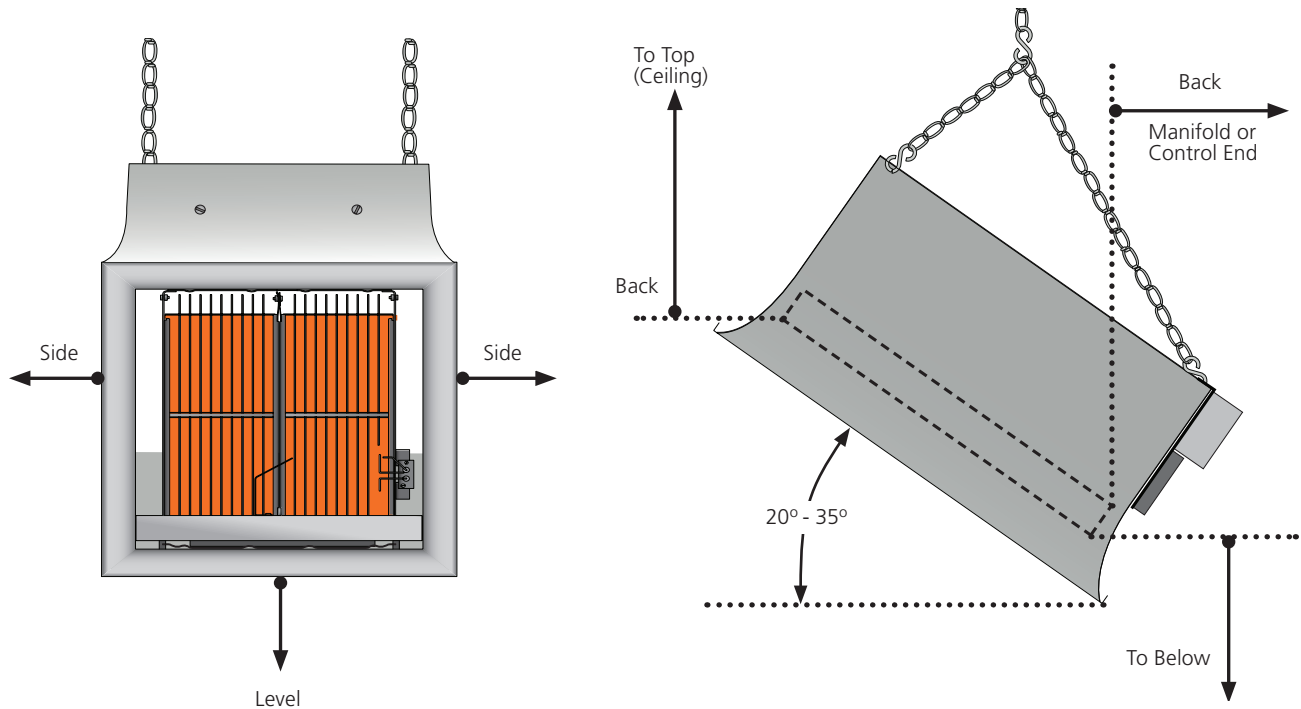
Features & Benefits

- > Ceramic burner provides maximum infrared radiation
- > Compact design reduces installation costs
- > Stainless steel rods increase heat temperature and efficiency
- > CE Certified
- > Highly polished aluminium reflector design
- > Direct spark ignition



Technical Data - All Models

Gas Type *	G20 (natural gas), G31 (propane gas)
Gas Connections	Connection 1/2" BSP
Manifold pressure (mbar)	15.2 (G20), 25.4 (G31)
Minimum inlet (mbar)	17.7 (G20), 27.9 (G31)
Maximum outlet (mbar)	35.5 (G20), 35.5 (G31)



Dimensions

Model	RV30	RV60	RV90	RV130	RV160
kW input	8.8	17.6	26.4	38.0	46.9
No. of burners	1	2	3	4	5
Dimensions					
Width (mm)	314	479	645	810	975
Height (mm)	575				
Depth (mm)	289				
Weight (Kg)	8.2	12.2	16.3	20.4	24.5
Recommended mounting heights **					
Height (m)	3.8	4.5	5.5	7.5	8.5
Clearance to combustibles ***					
Top (m)	0.62	1.03	1.23	1.33	1.54
Back (m)	0.20	0.20	0.20	0.40	0.40
Sides (m)	0.75	0.75	1.20	1.20	1.30
Below (m)	1.85	1.85	2.51	3.08	3.38

* Specify Natural or Propane at point of purchase

** Mounting heights are recommended as a guidance only. Actual conditions may dictate variations from the above data

*** Always maintain the published clearances to combustibles



NORTEK GLOBAL HVAC (UK) LTD

Fens Pool Avenue
Brierley Hill
West Midlands DY5 1QA
United Kingdom

Tel: **01384 489 700**
Fax: **01384 489 707**

ambiradsales@nortek.com
www.ambirad.co.uk

Registered in England No. 01390934. Registered office: 10 Norwich Street, London, EC4A 1BD.

Nortek Global HVAC is a registered trademark of Nortek Global HVAC Limited. Because of continuous product innovation, Nortek Global HVAC reserves the right to change product specification without due notice.