
Technical Support:

Tel: 01384 489200

Email: ambiradgroupsupport@tnb.com

BENSON

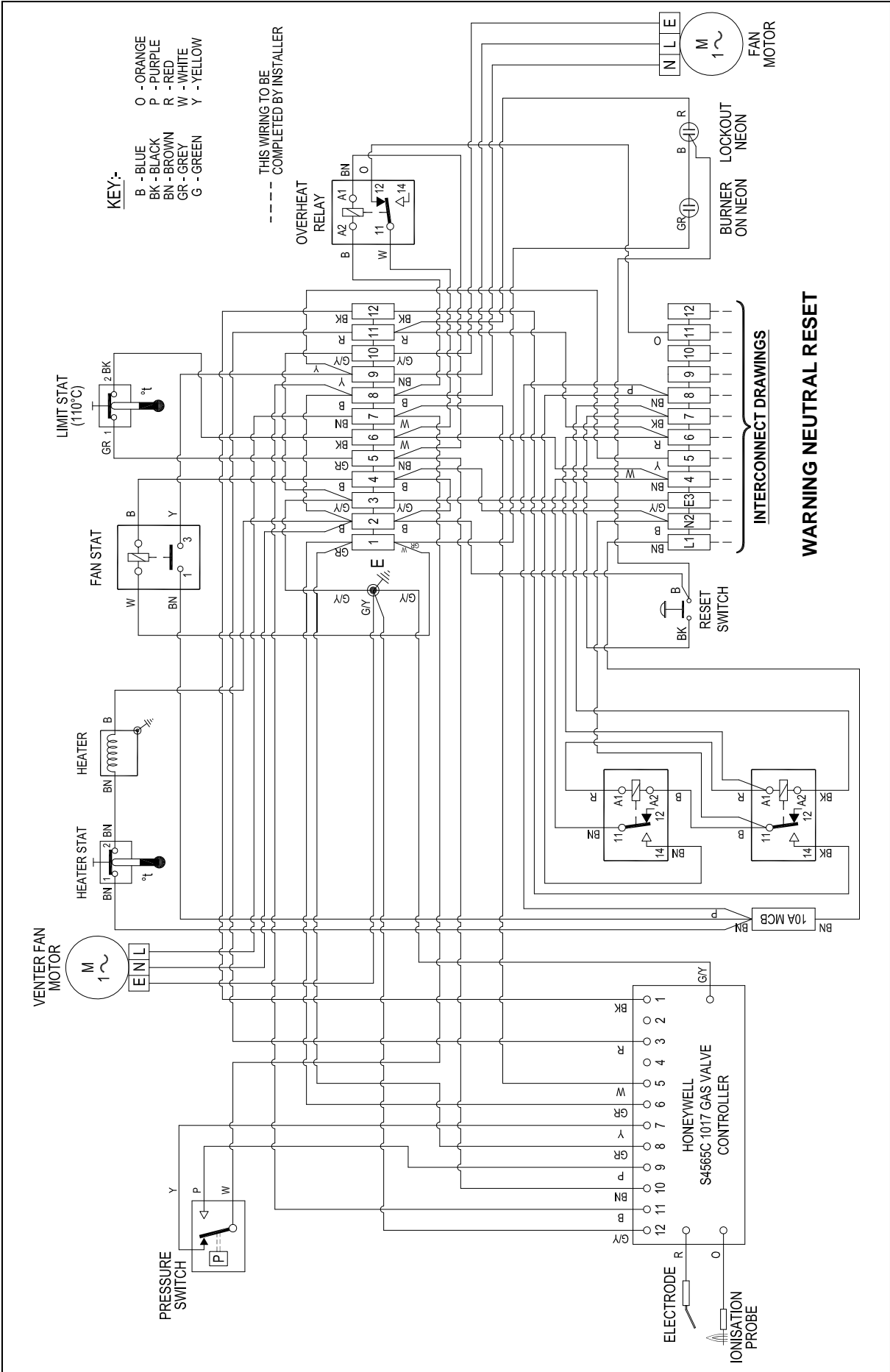
WIRING DIAGRAM MANUAL FOR BENSON EVRC EXTERNAL HEATER



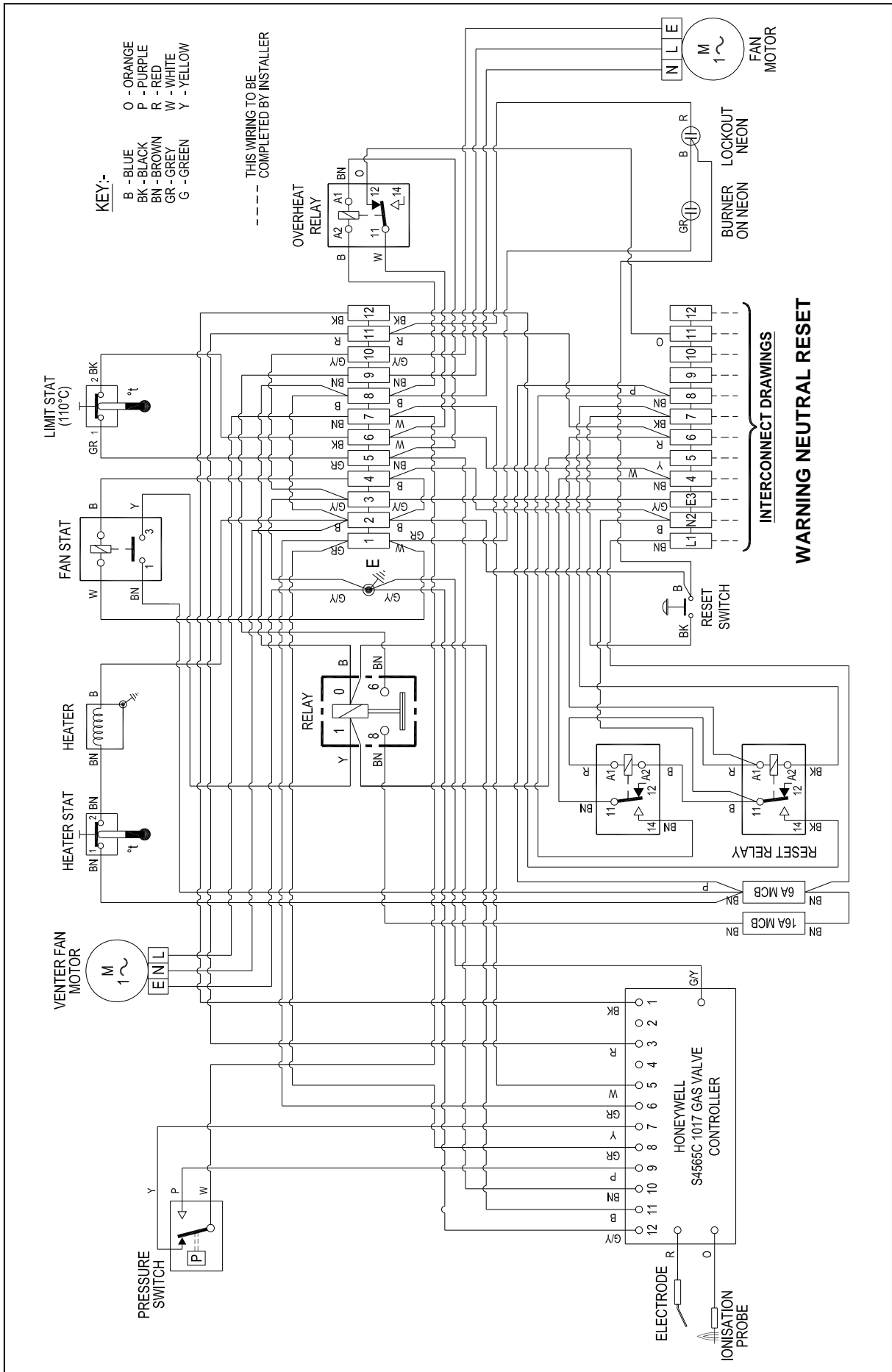
WARNINGS

Installation of Benson Equipment must be carried out in accordance with the current IEE wiring regulations (BS 7671), BS 6896 (Industrial & Commercial) and any other relevant British Standards and Codes of Practice by a qualified installer. All external wiring **MUST** comply with the current IEE wiring regulations.

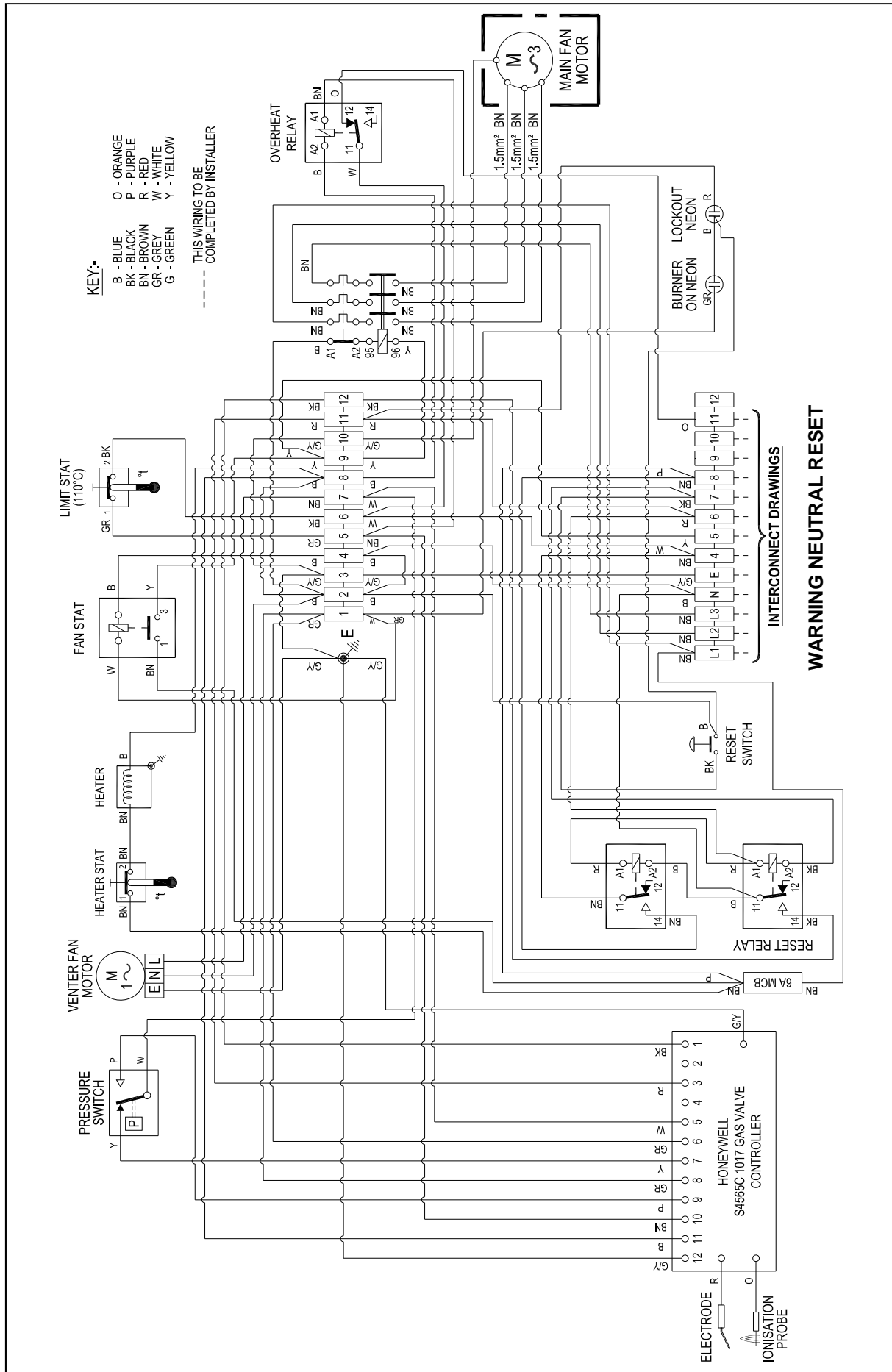
Wiring Diagram 33-68-019 EV²RC 12-42 EV²RC1 12-30 EV²RC2 12-20 On/Off



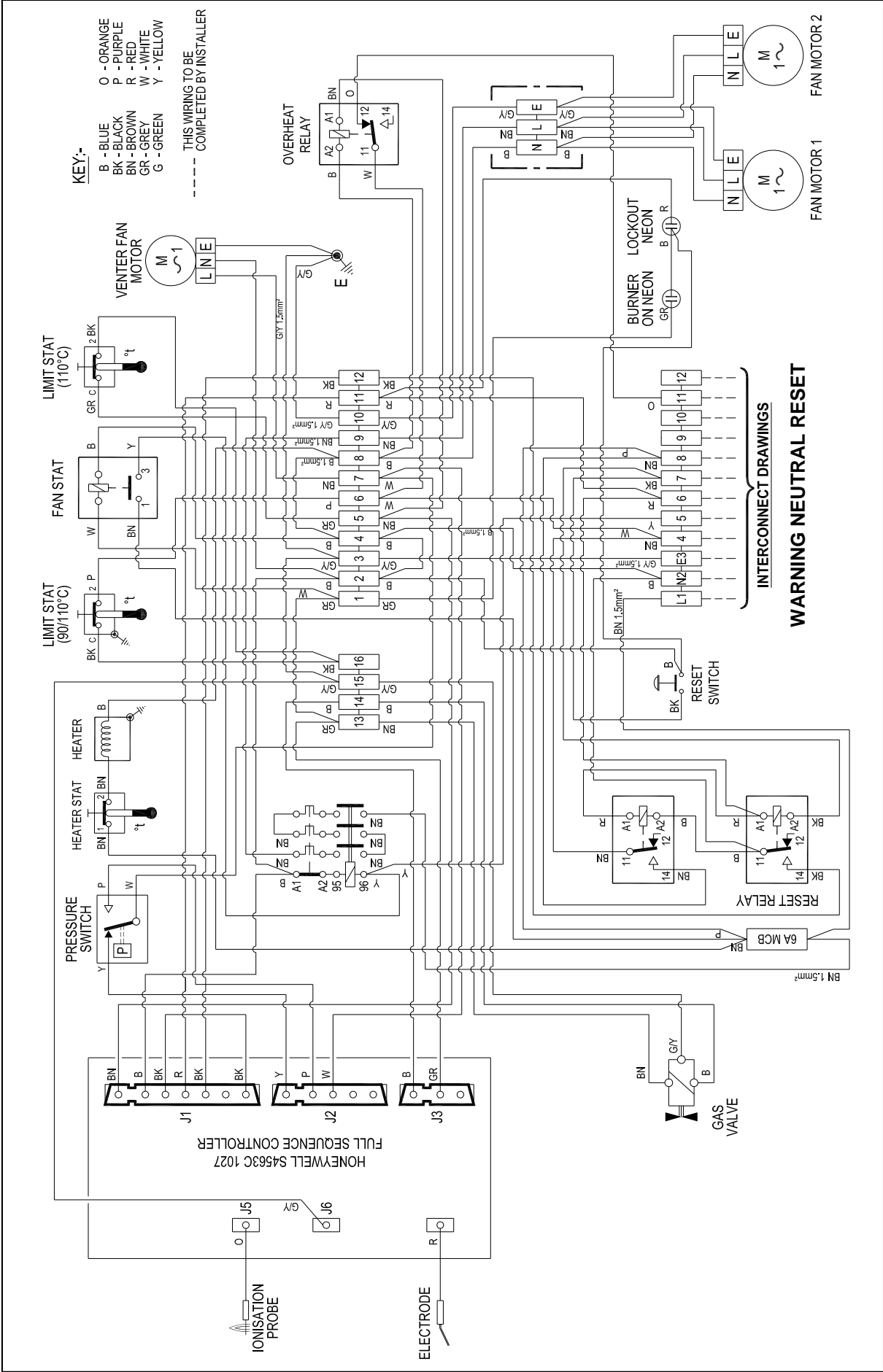
Wiring Diagram 33-68-022 EV²RC 50-60 EV²RC1 42-60 EV²RC2 30-42 On/Off



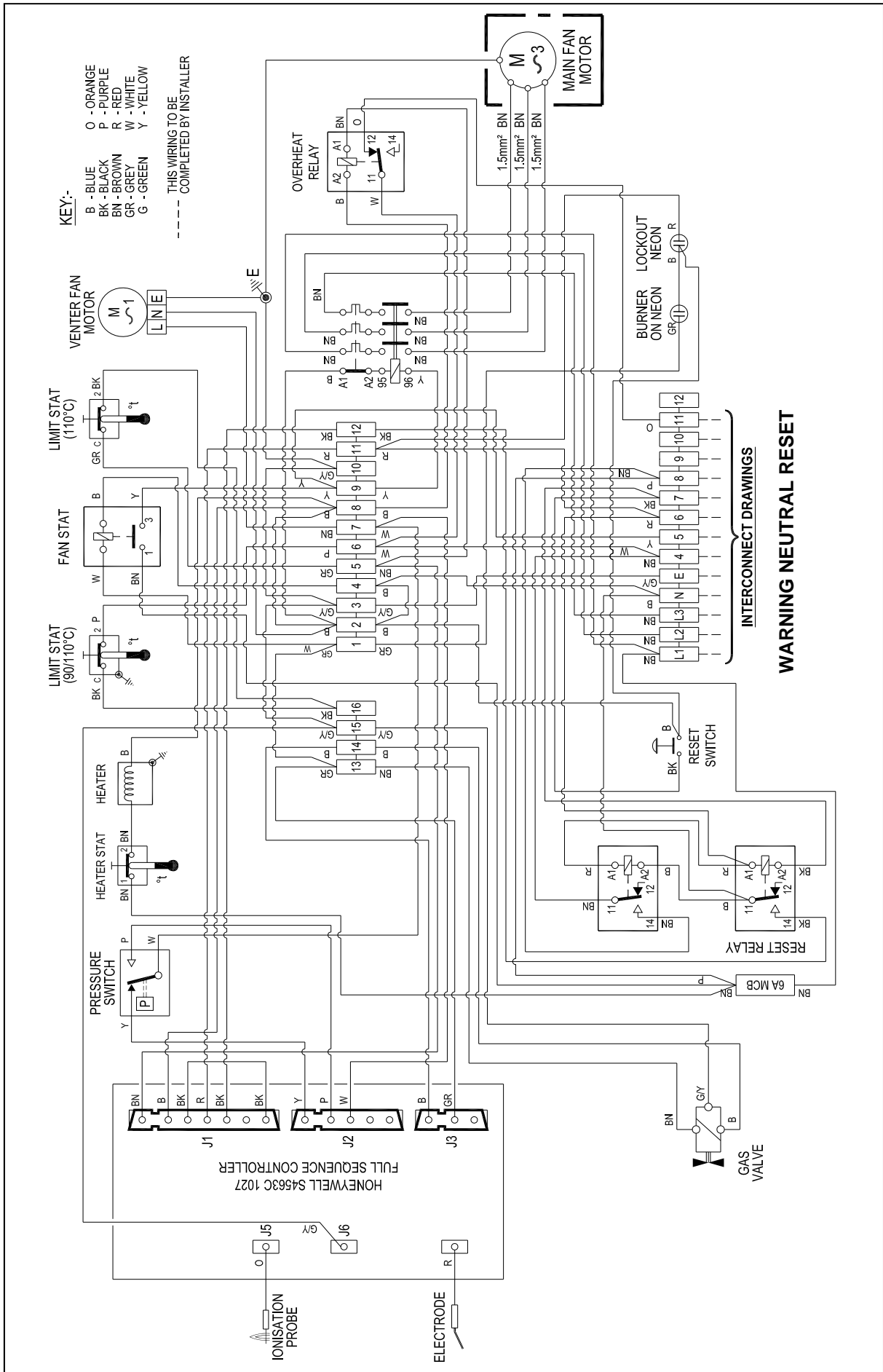
Wiring Diagram 33-68-025 EV²RC 50-60 3 Phase On/Off



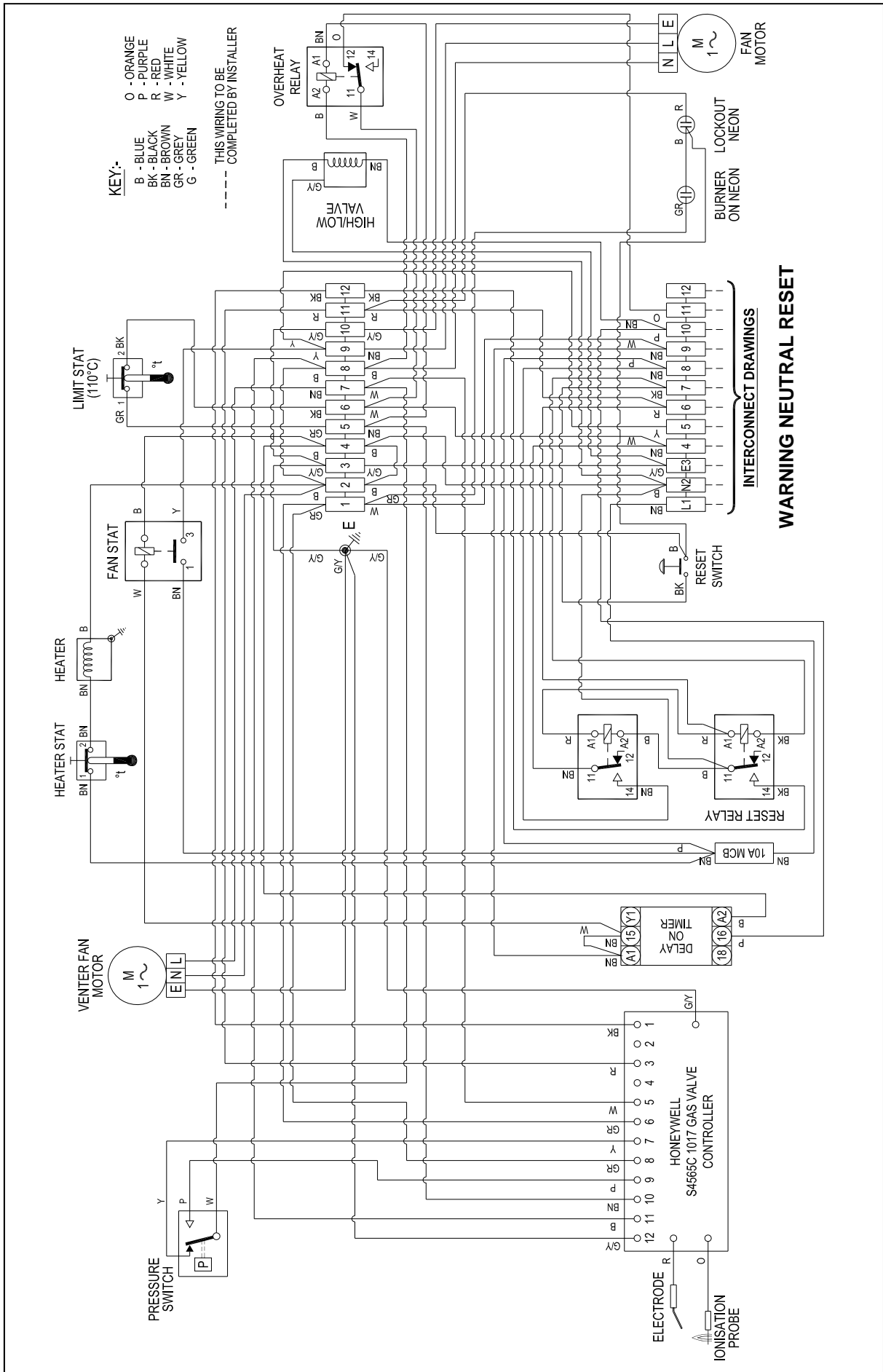
Wiring Diagram 33-68-028 EV²RC 72-95 EV²RC1 72-95 On/Off



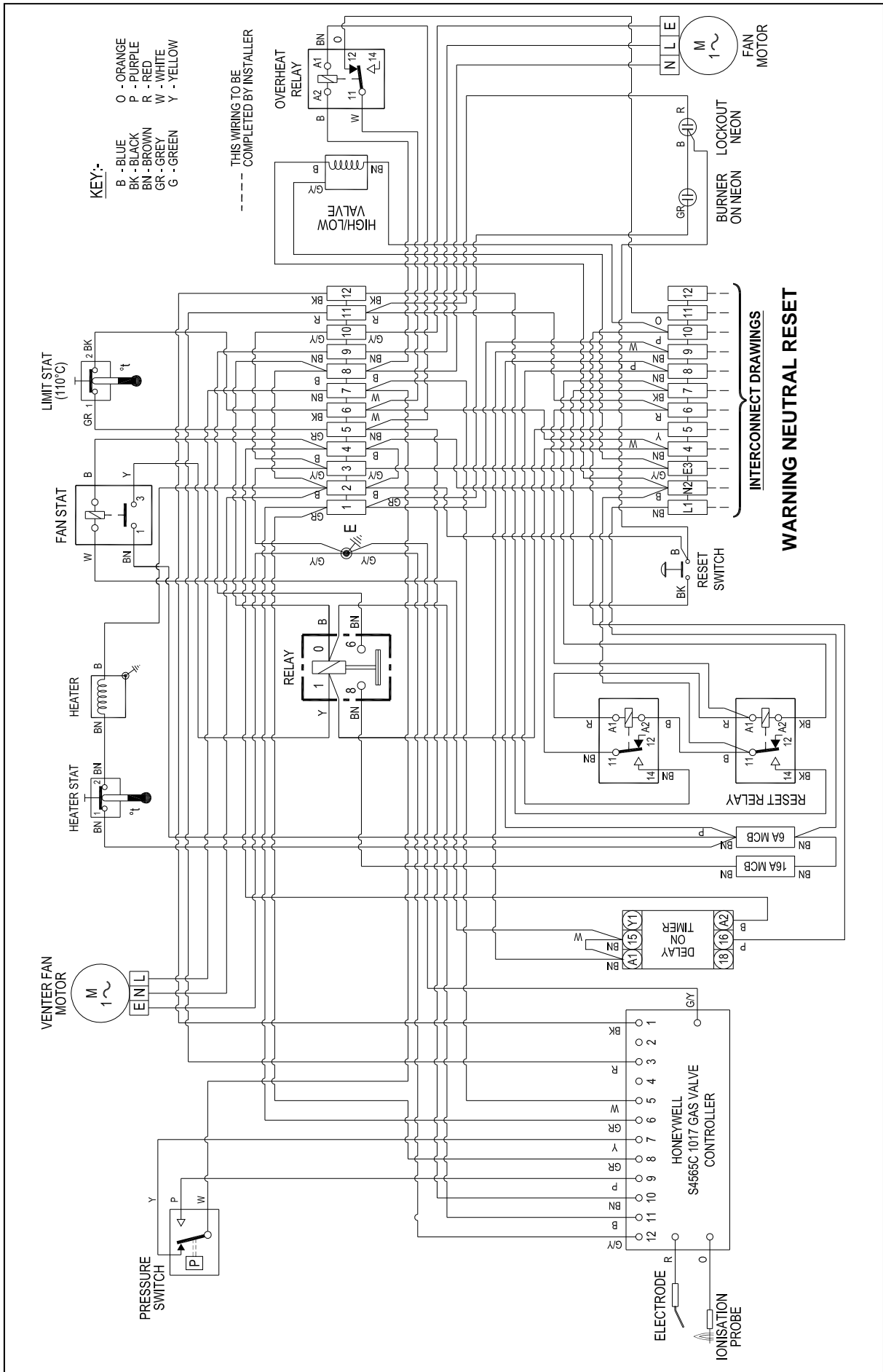
Wiring Diagram 33-68-031 EV²RC 120-145 EV²RC2 72-145 3 Phase On/Off



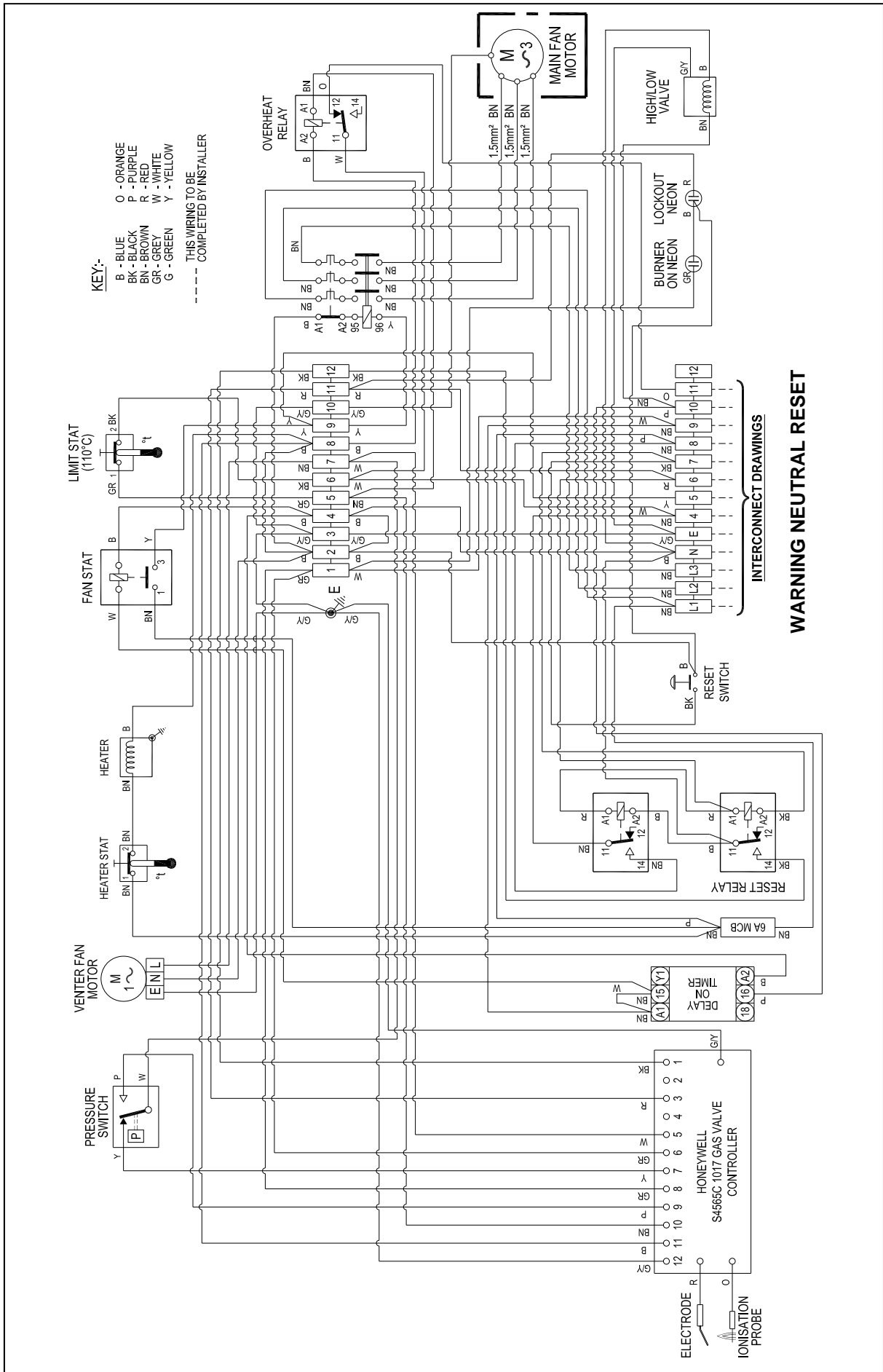
Wiring Diagram 33-68-020 EV²RC 12-42 EV²RC1 12-30 EV²RC2 12-20 Hi/Low



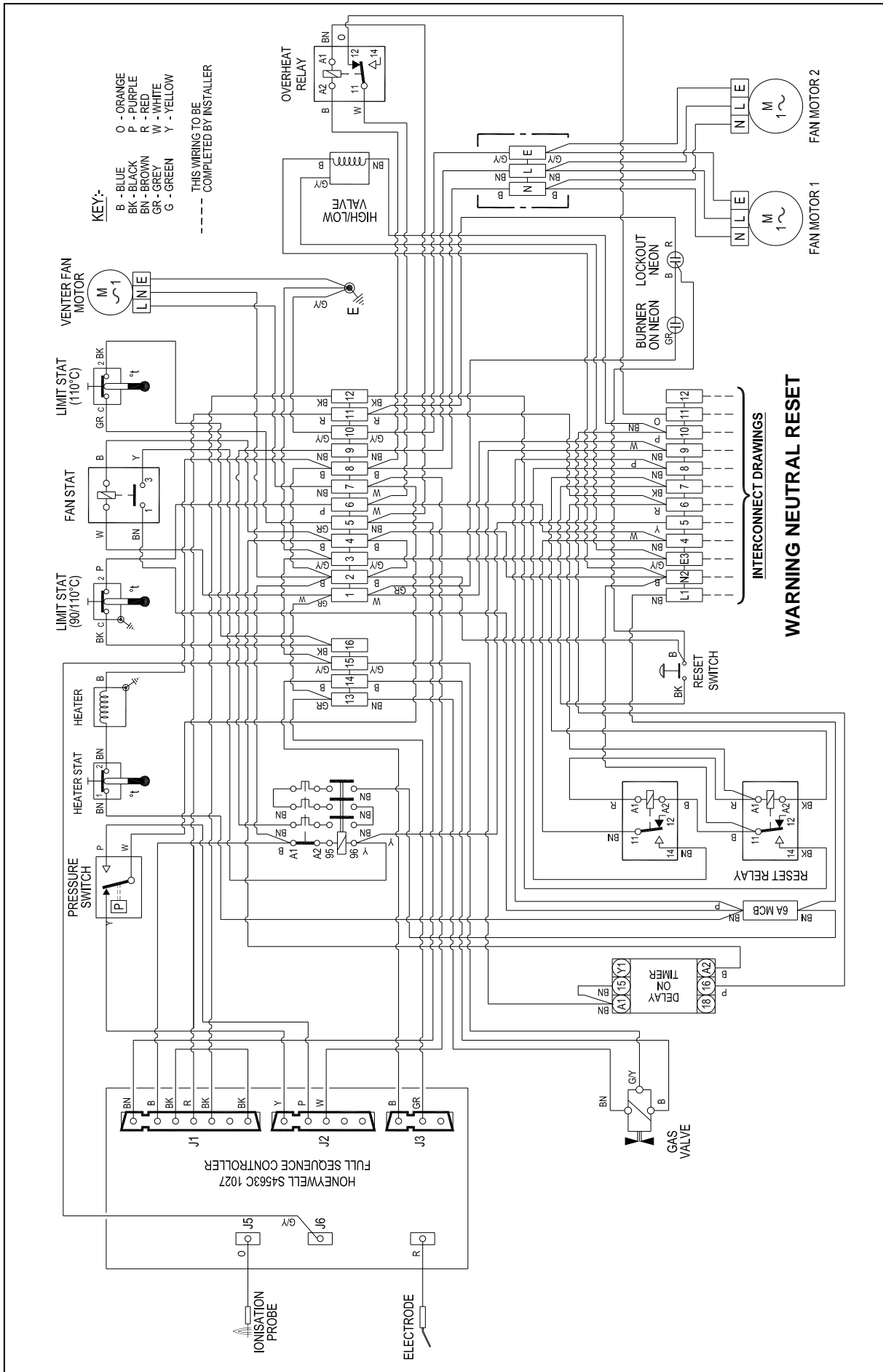
Wiring Diagram 33-68-023 EV²RC 50-60 EV²RC1 42-60 EV²RC2 30-42 Hi/Low



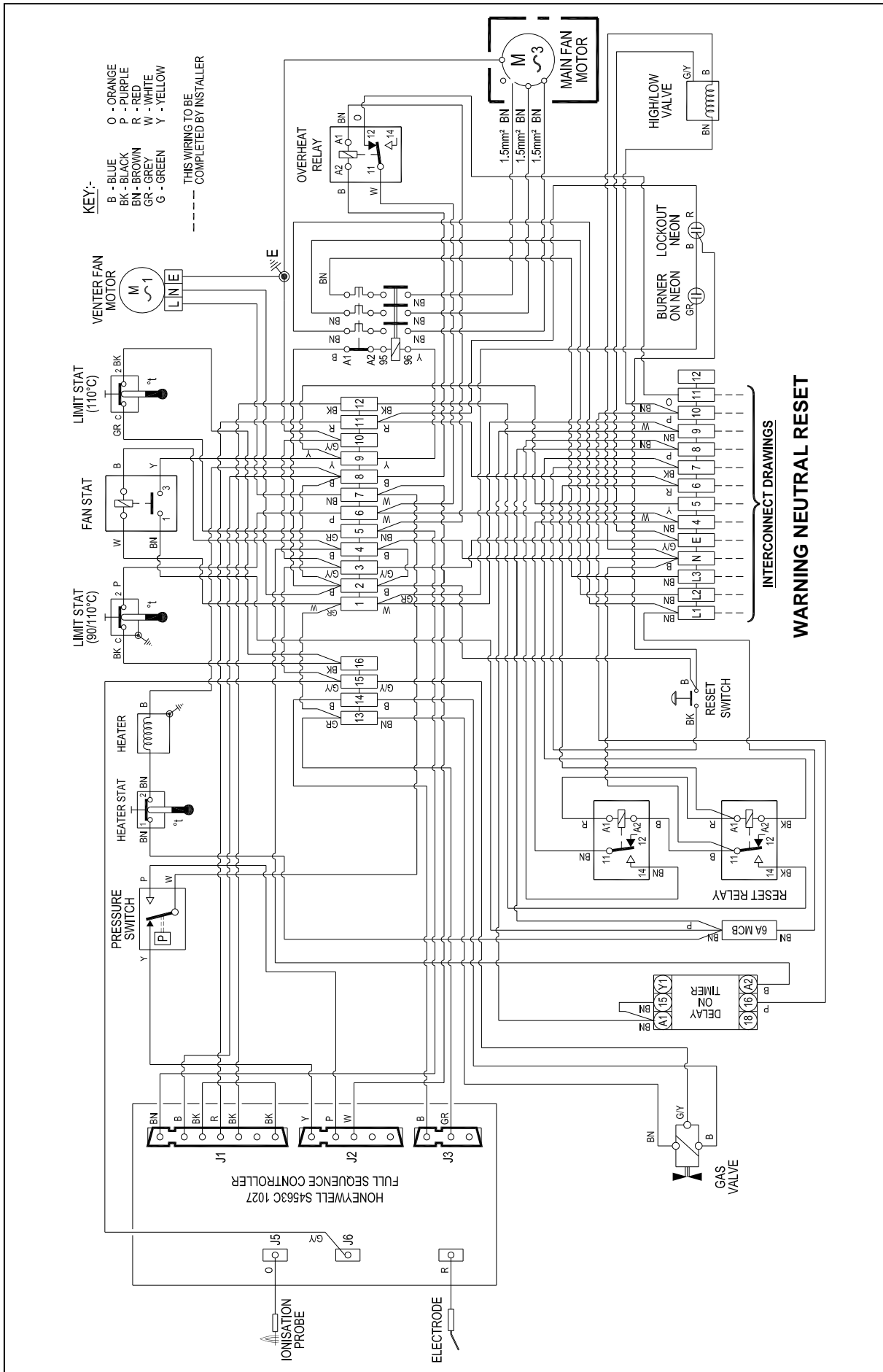
Wiring Diagram 33-68-026 EV²RC 50-60 3 Phase Hi/Low



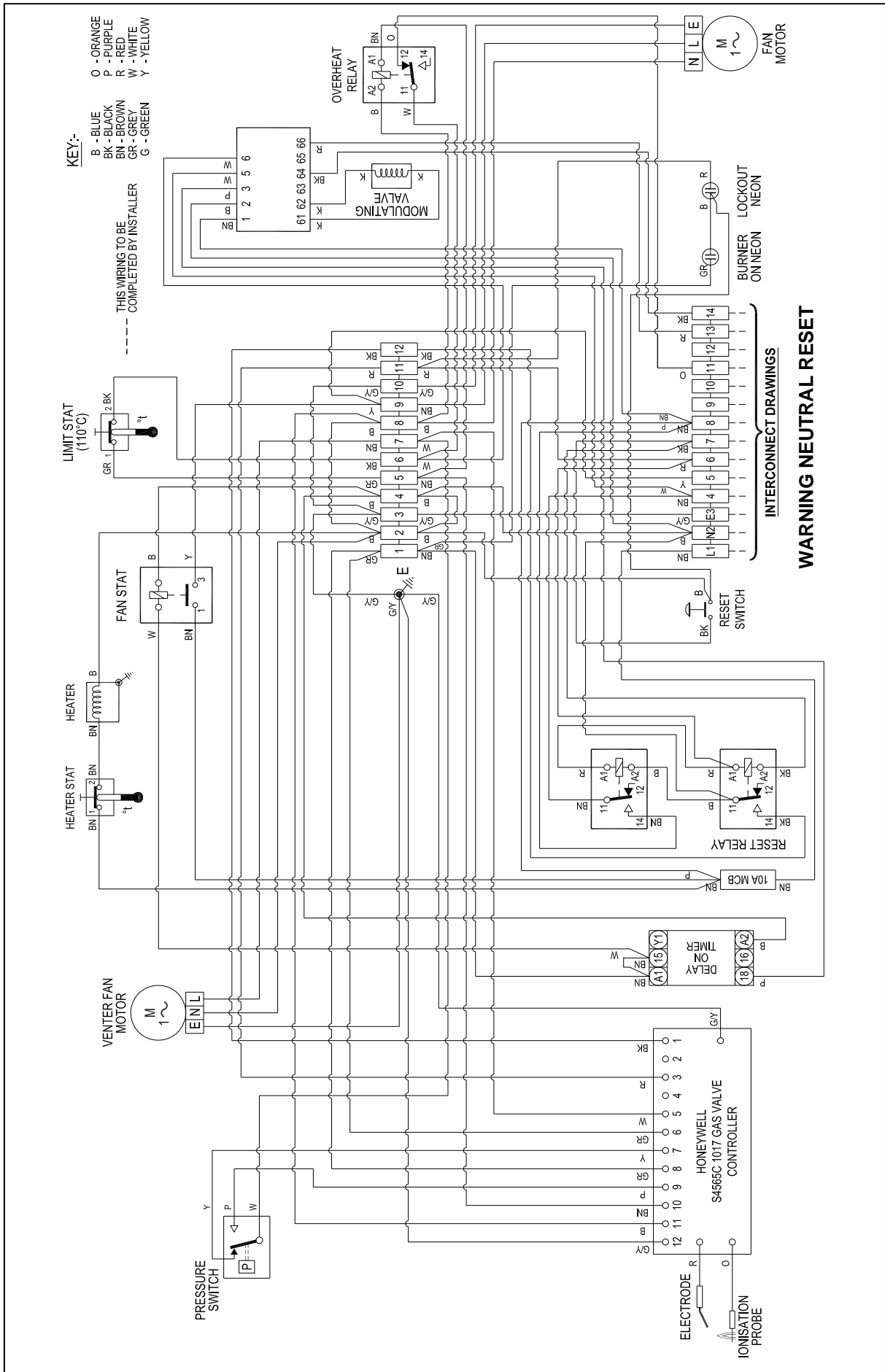
Wiring Diagram 33-68-029 EV²RC 72-95 EV²RC1 72-95 Hi/Low



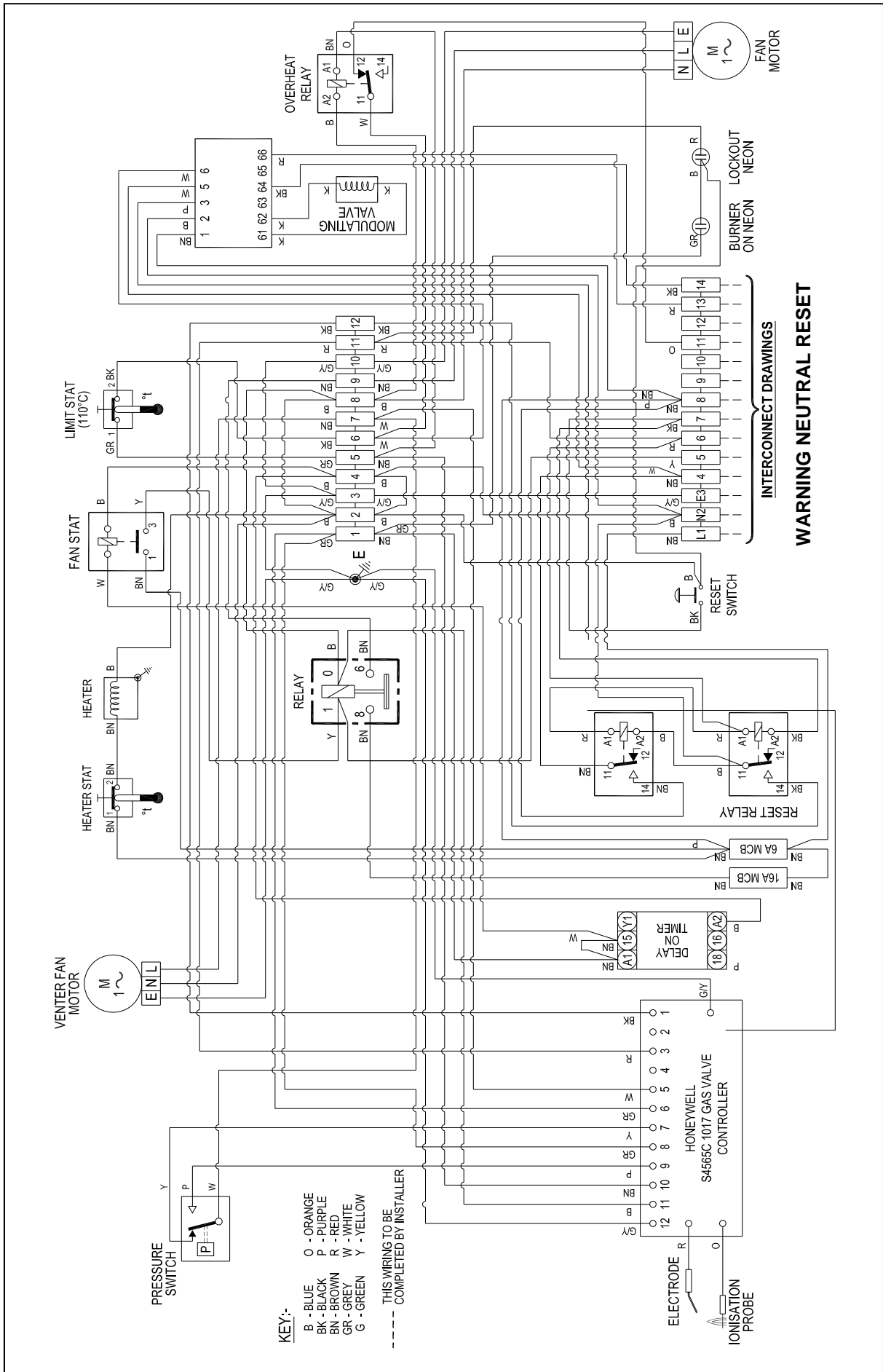
Wiring Diagram 33-68-032 EV²RC 120-145 EV²RC2 72-145 3 Phase Hi/Low



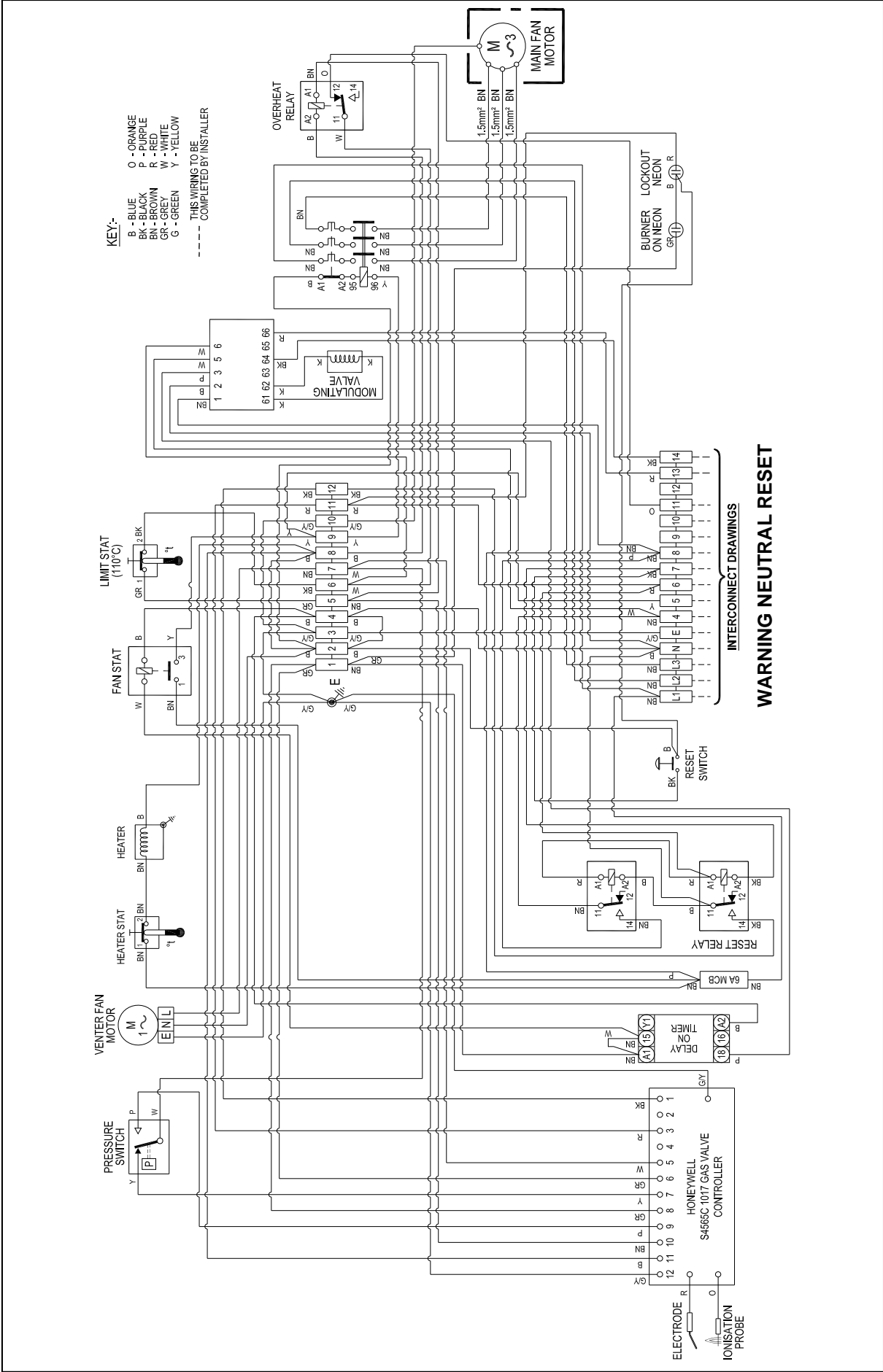
Wiring Diagram 33-68-021 EV²RC 12-42 EV²RC1 12-30 EV²RC2 12-20 Modulation



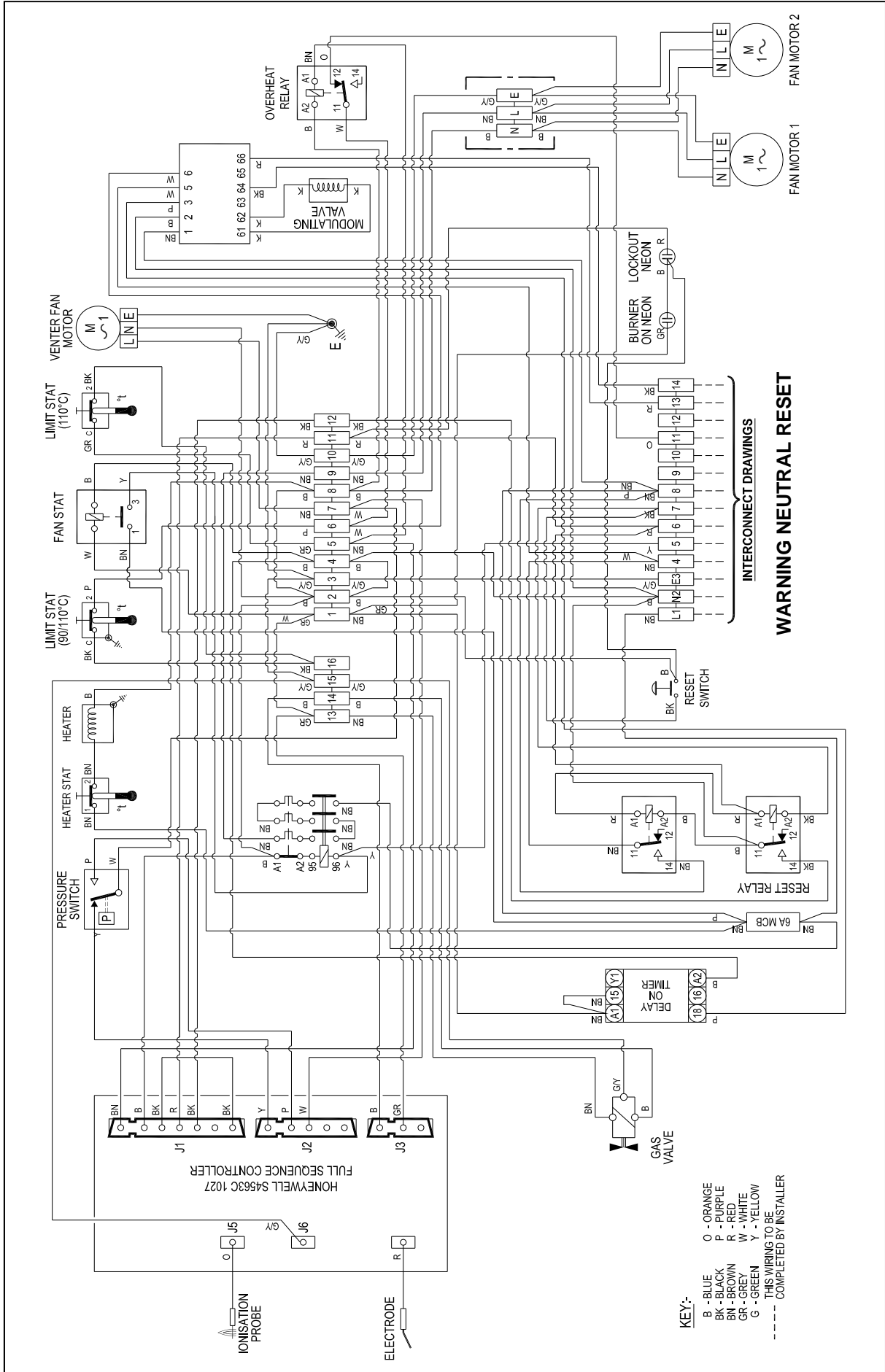
Wiring Diagram 33-68-024 EV²RC 50-60 Modulation



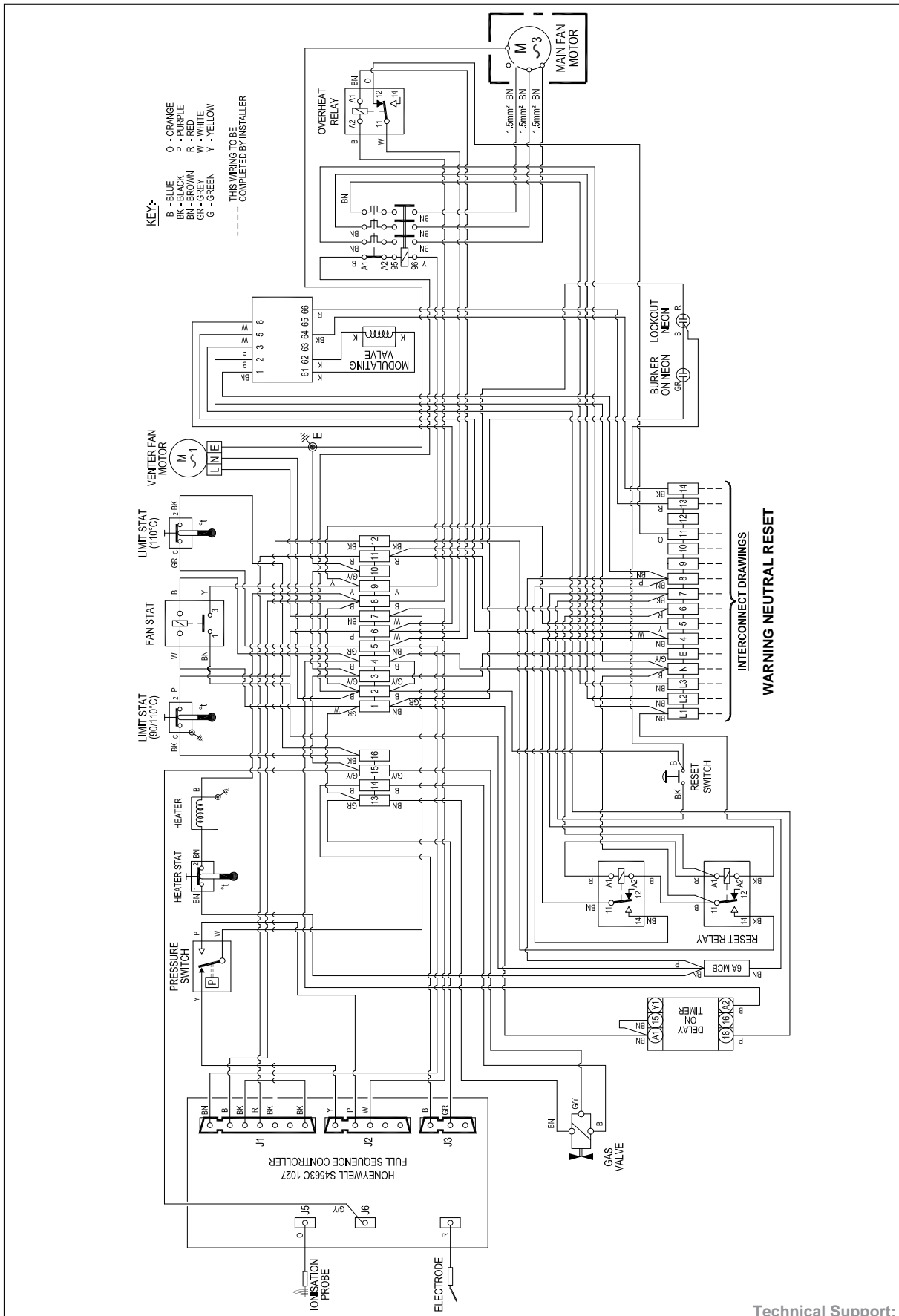
Wiring Diagram 33-68-027 EVRC 50-60 3 Phase Modulation



Wiring Diagram 33-68-030 EV²RC 72-95 EV²RC1 72-95 Modulation



Wiring Diagram 33-68-033 EV²RC 120-145 EV²RC2 72-145 3 Phase Modulation



Technical Support:

Tel: 01384 489 200

Fax: 01384 489 707

AmbiRad Group

Heating and Ventilation Solutions

ambiradgroupsupport@tnb.com

www.ambiradgroup.co.uk

AMBI RAD AIRBLOC NORDAIRNICHE BENSON

A Thomas & Betts Company. Registered in England No. 1390934. Registered office: 27/28 East Castle Street, London.

AmbiRad UK is a registered trademark of AmbiRad Limited. Because of continuous product innovation, AmbiRad reserves the right to change product specification without due notice.