

---

## Technical Support:

Tel: 01384 489200

Email: [ambiradgroupsupport@tnb.com](mailto:ambiradgroupsupport@tnb.com)

---

# BENSON

# WIRING DIAGRAM MANUAL FOR BENSON GAS AND OIL CABINET HEATER

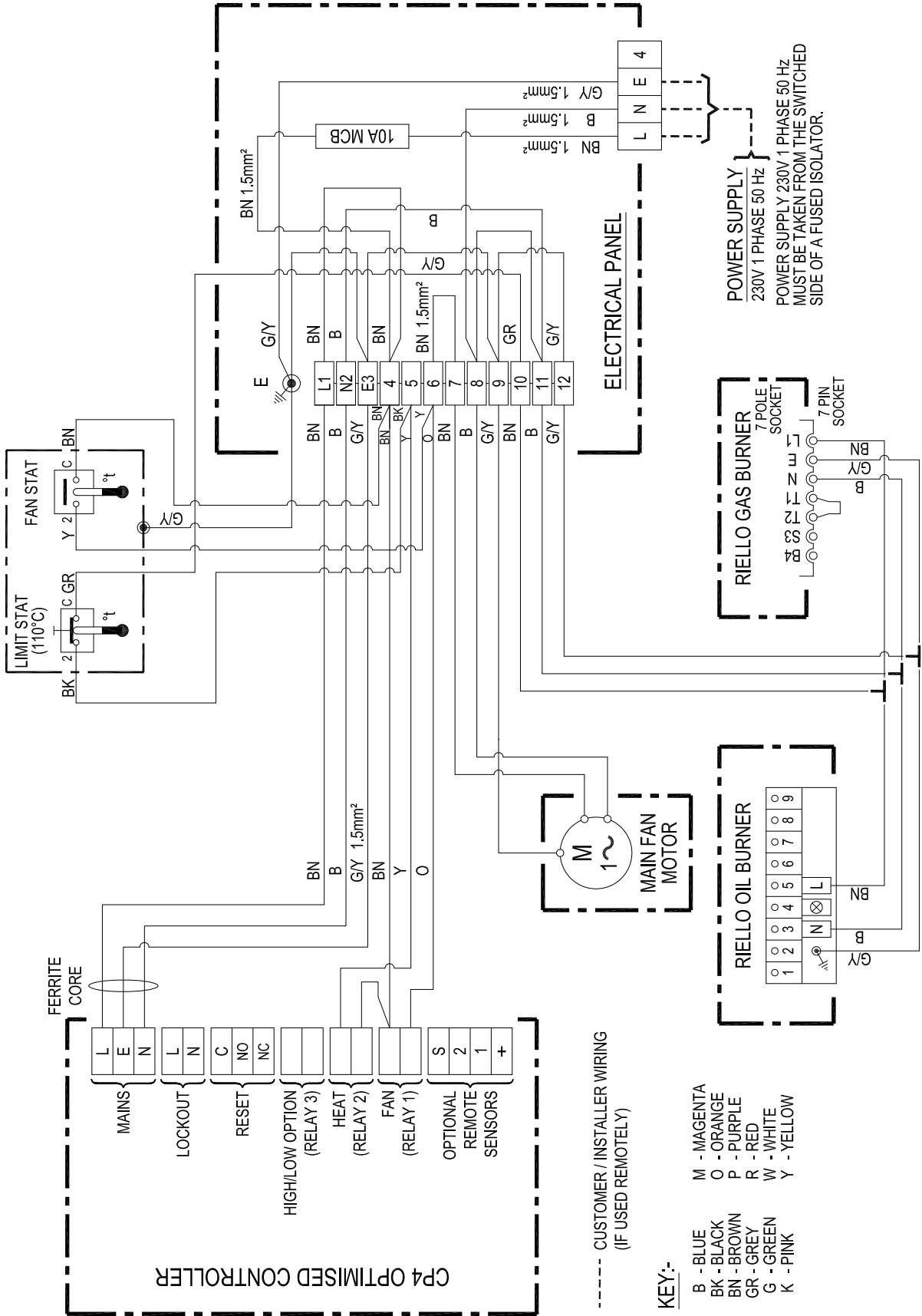


## WARNINGS

Installation of Benson Equipment must be carried out in accordance with the current IEE wiring regulations (BS 7671), BS 6896 (Industrial & Commercial) and any other relevant British Standards and Codes of Practice by a qualified installer. All external wiring **MUST** comply with the current IEE wiring regulations.

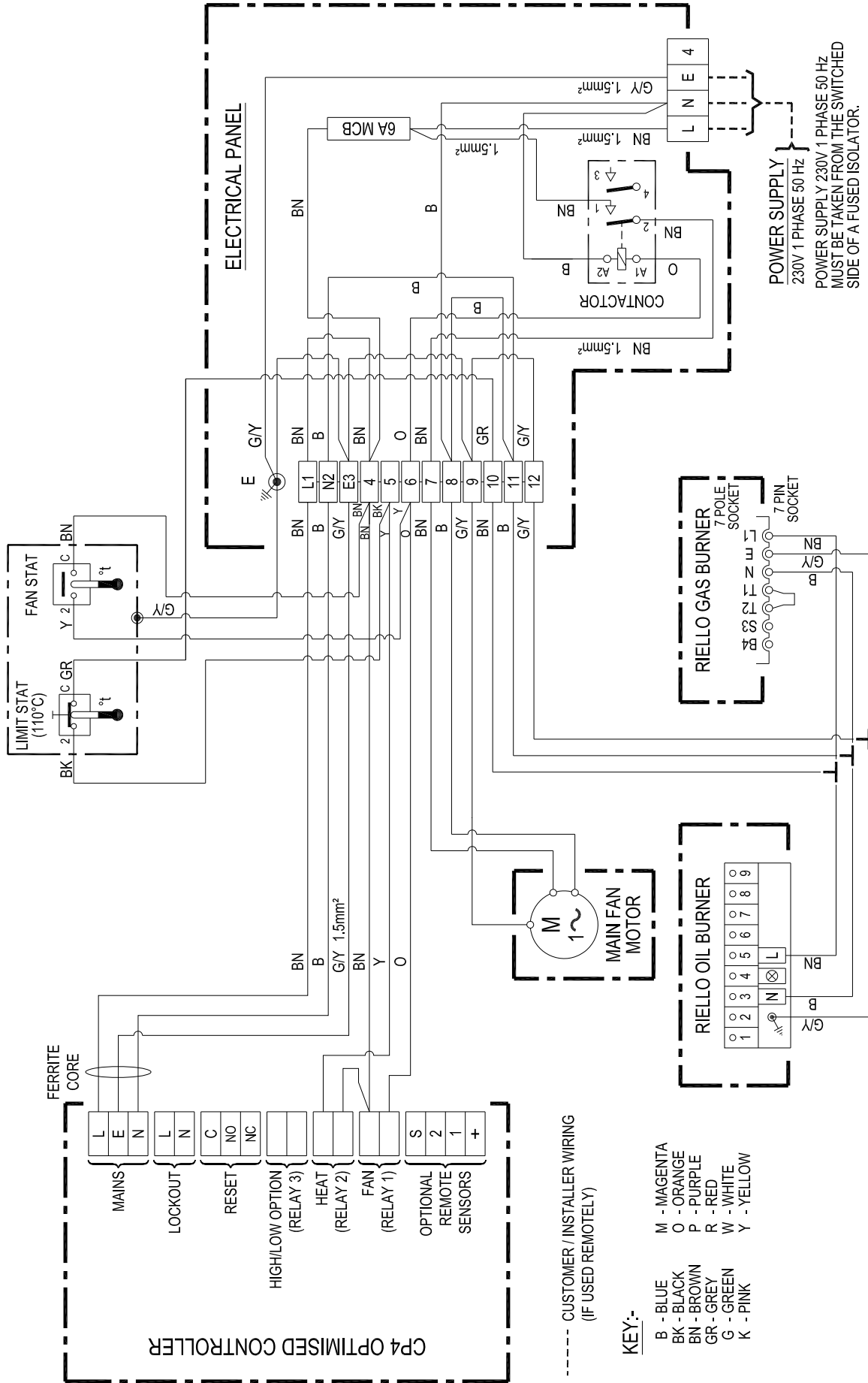
# Wiring Diagram 20-45-604

## 30 - 40 ON/OFF Riello Burner Integral CP4 230/50/1ph



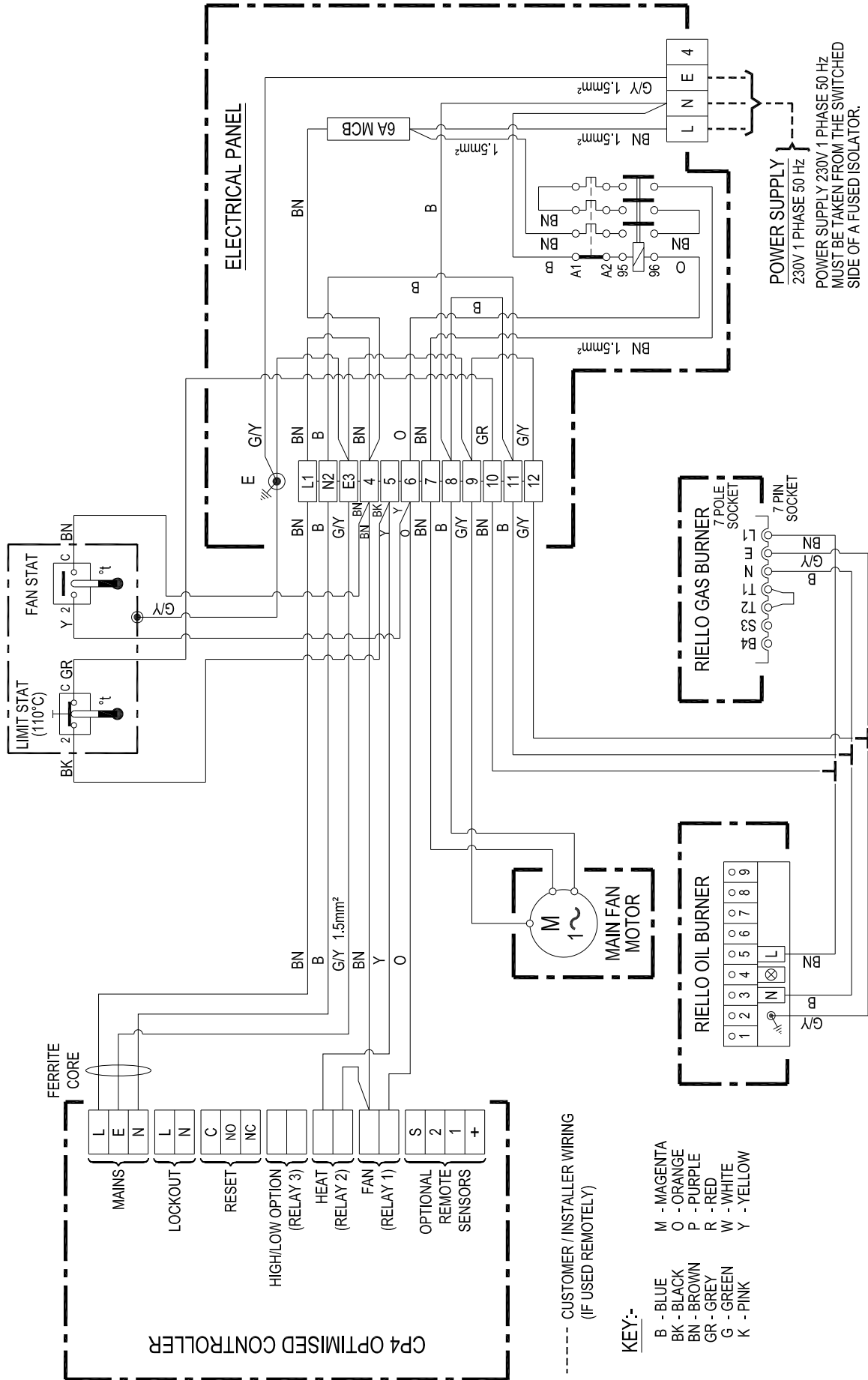
# Wiring Diagram 20-45-605

## 60 - 85 ON/OFF Riello Burner Integral CP4 230/50/1ph



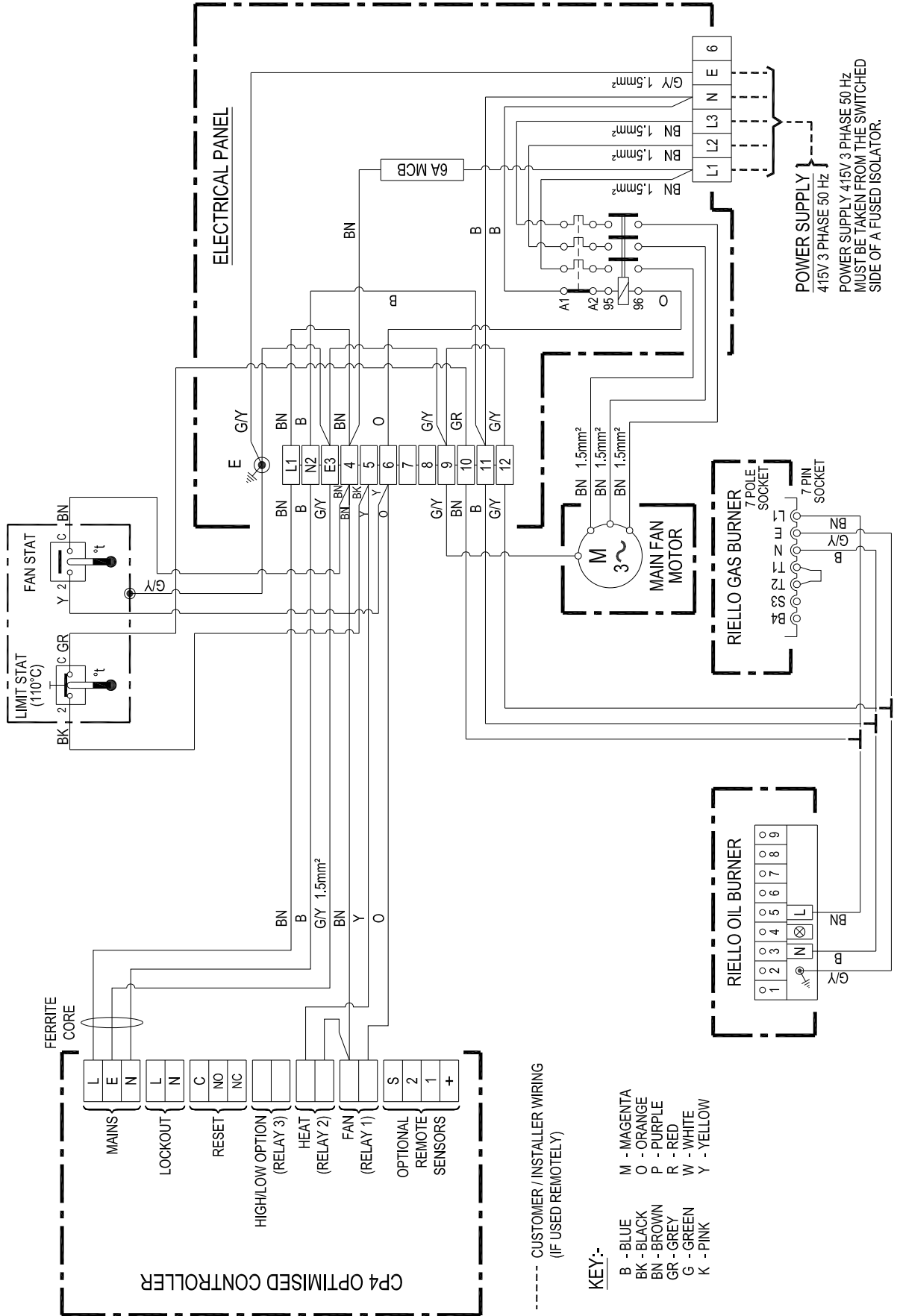
# Wiring Diagram 20-45-606

## 120 - 135 ON/OFF Riello Burner Integral CP4 230/50/1ph



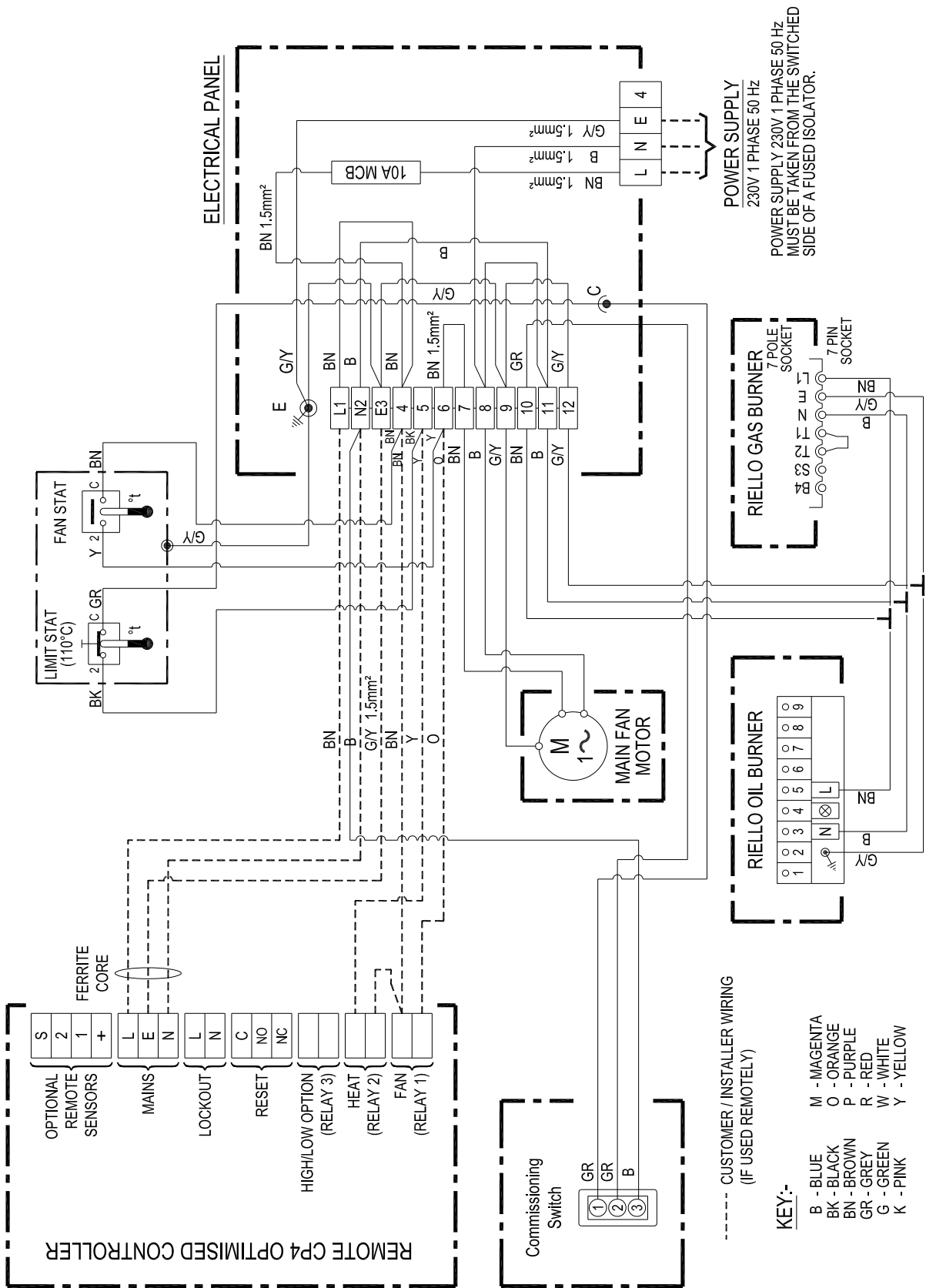
Wiring Diagram 20-45-607

60 - 275 ON/OFF Riello Burner Integral CP4 415/50/3ph



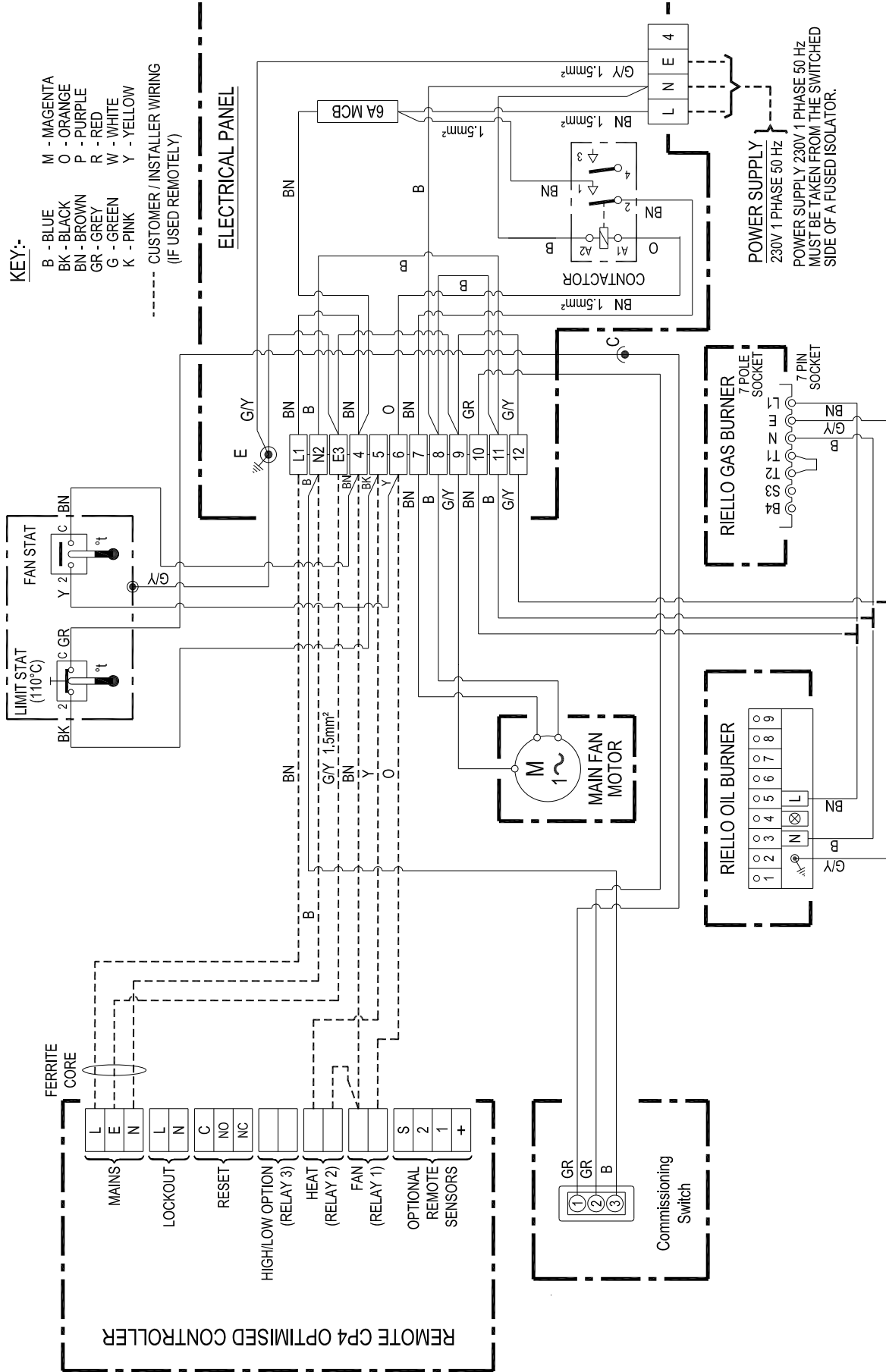
# Wiring Diagram 20-45-620

## 30 - 40 ON/OFF Riello Burner Remote CP4 230/50/1ph



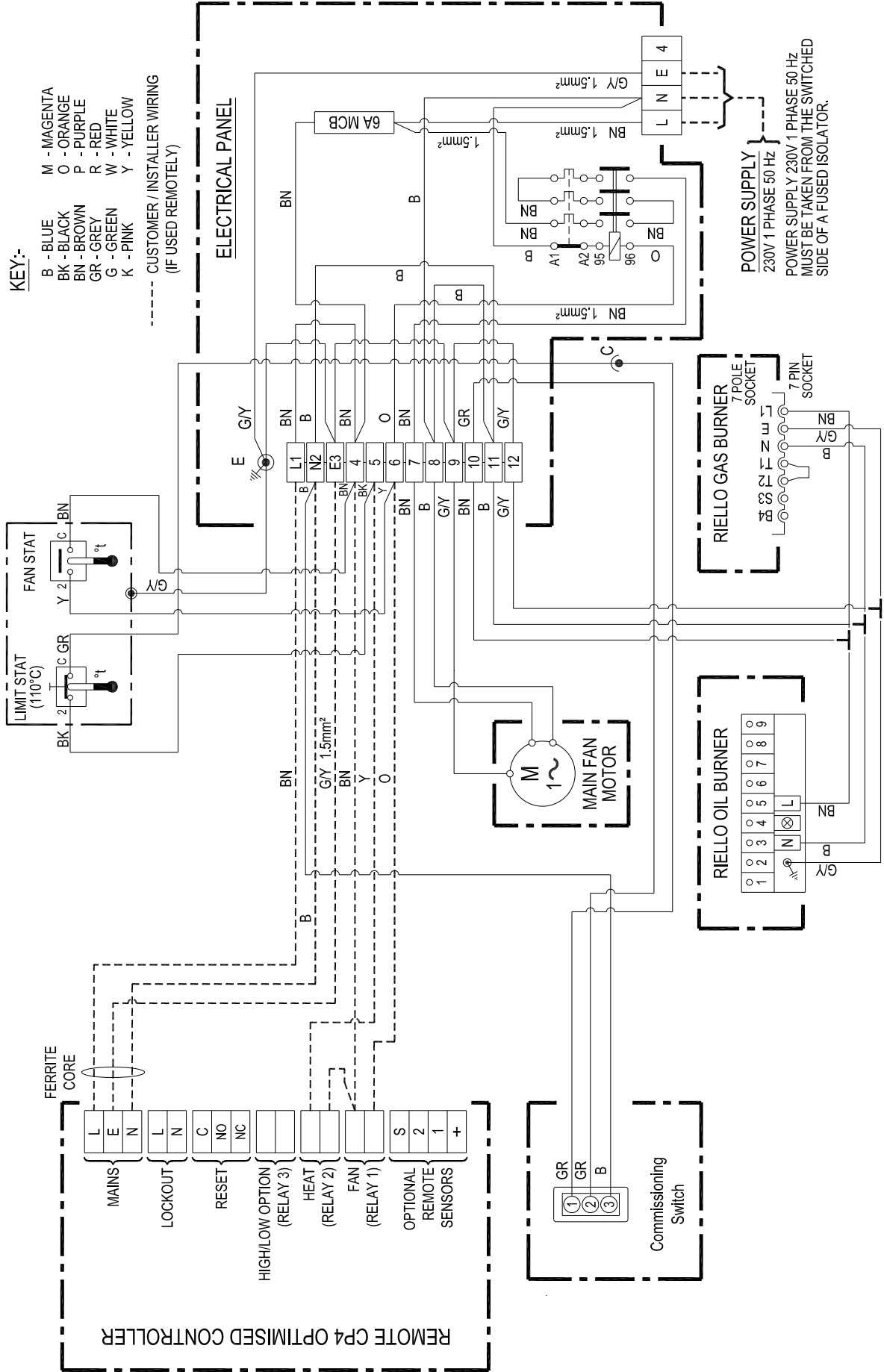
# Wiring Diagram 20-45-621

## 60 - 85 ON/OFF Riello Burner Remote CP4 230/50/1ph



# Wiring Diagram 20-45-622

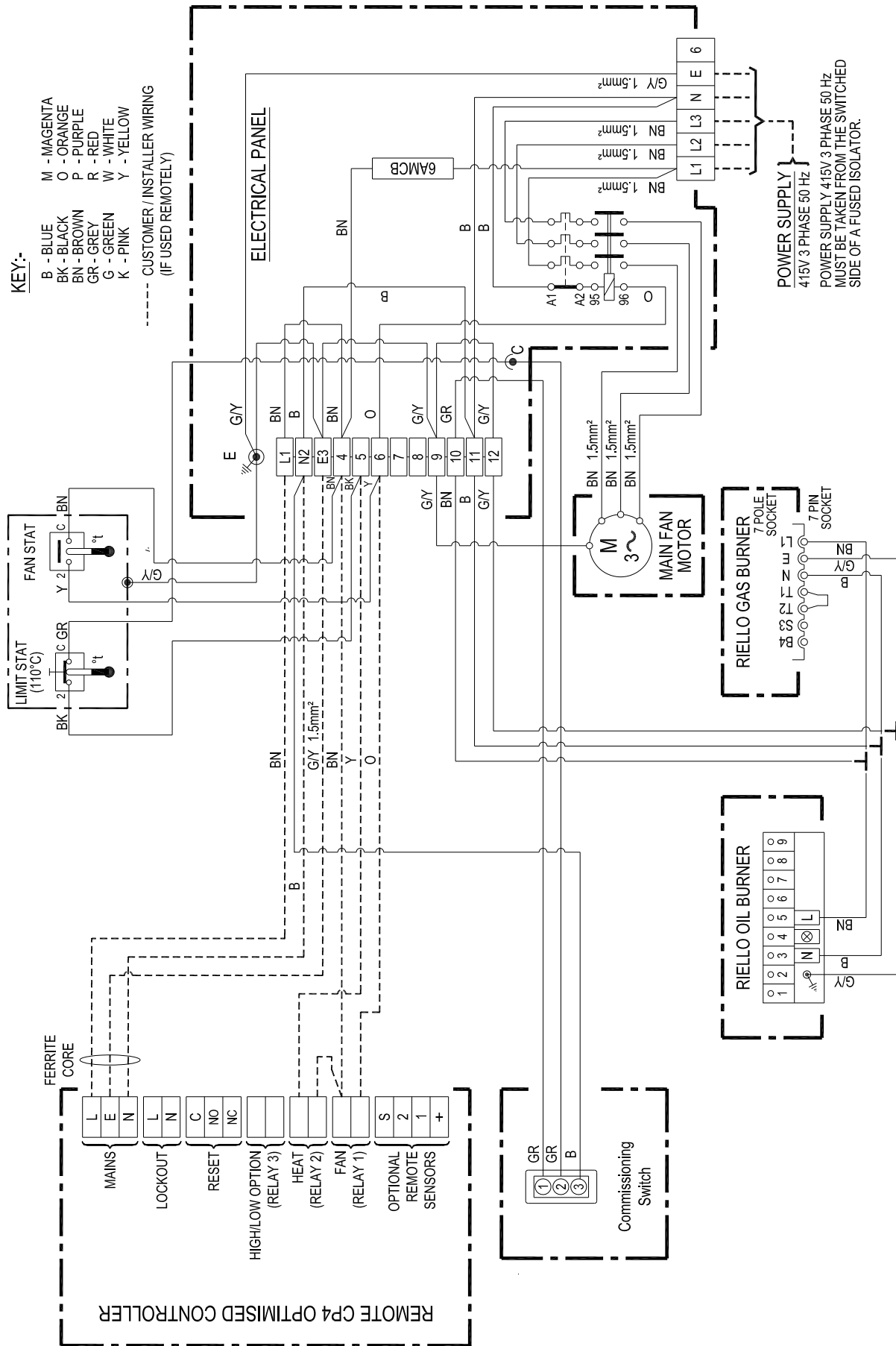
## 120 - 135 ON/OFF Riello Burner Remote CP4 230/50/1ph





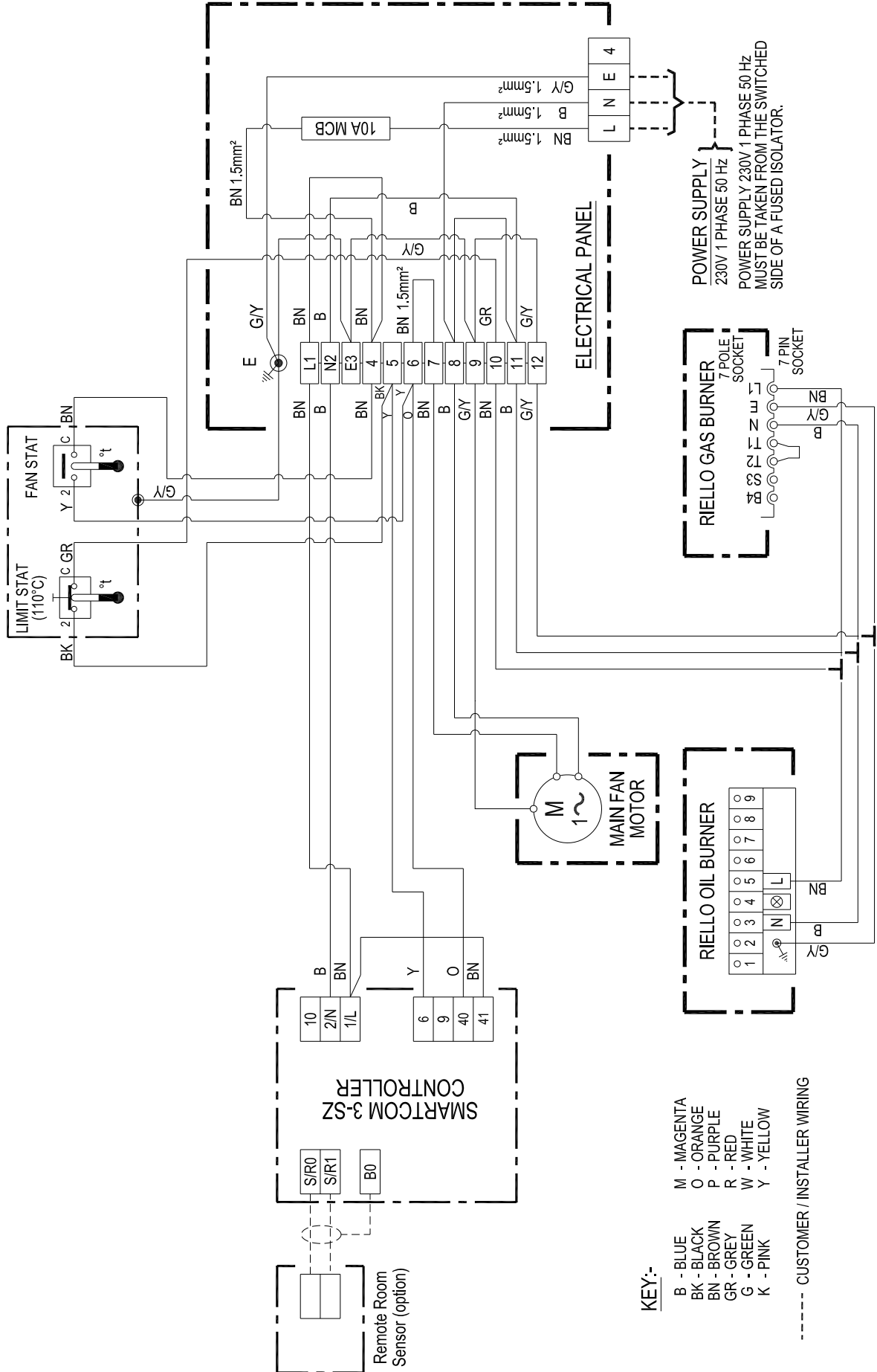
# Wiring Diagram 20-45-623

## 60 - 275 ON/OFF Riello Burner Remote CP4 415/50/3ph



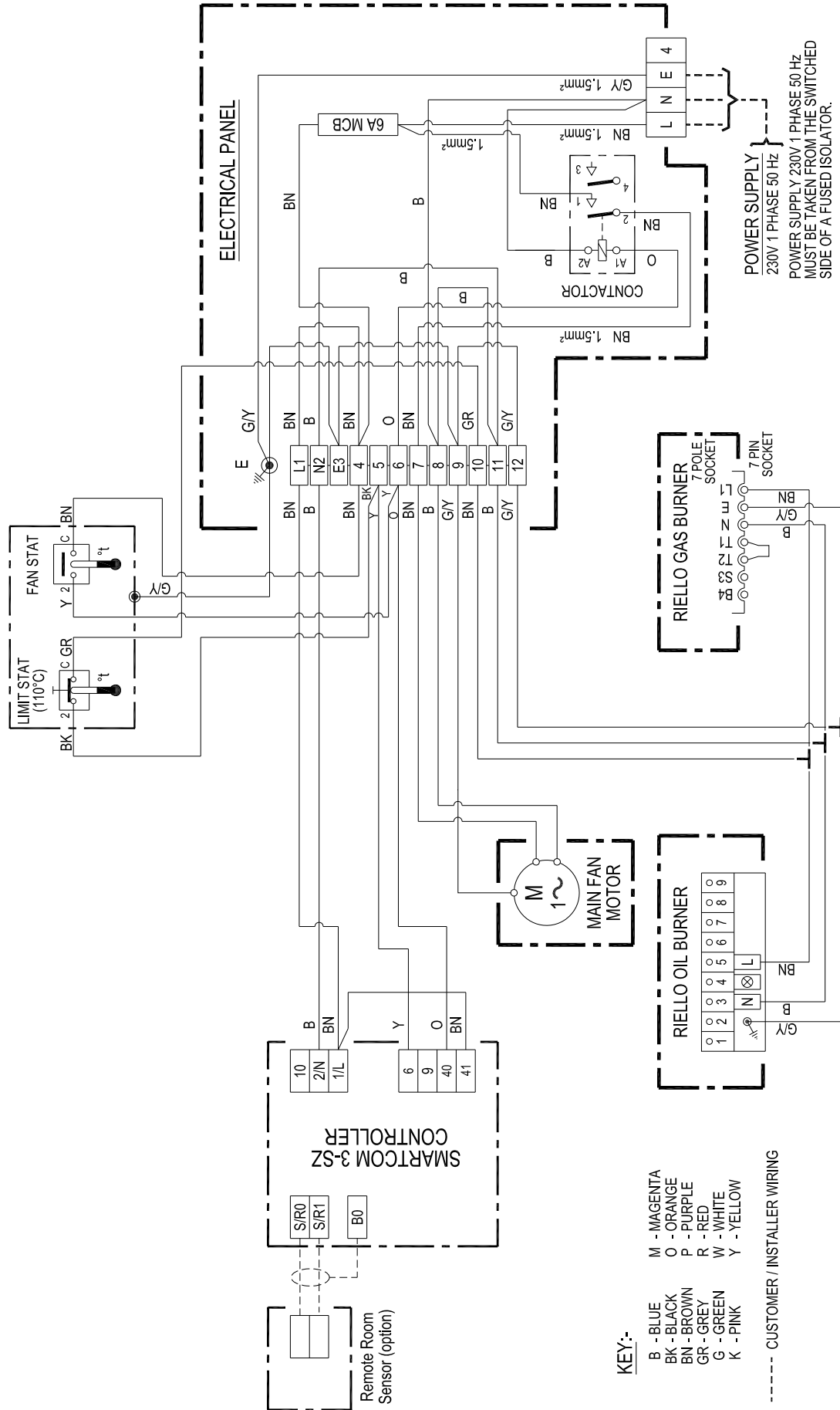
# Wiring Diagram 20-45-600

## 30 - 40 ON/OFF Riello Burner Integral SC<sup>3</sup>-SZ 230/50/1ph



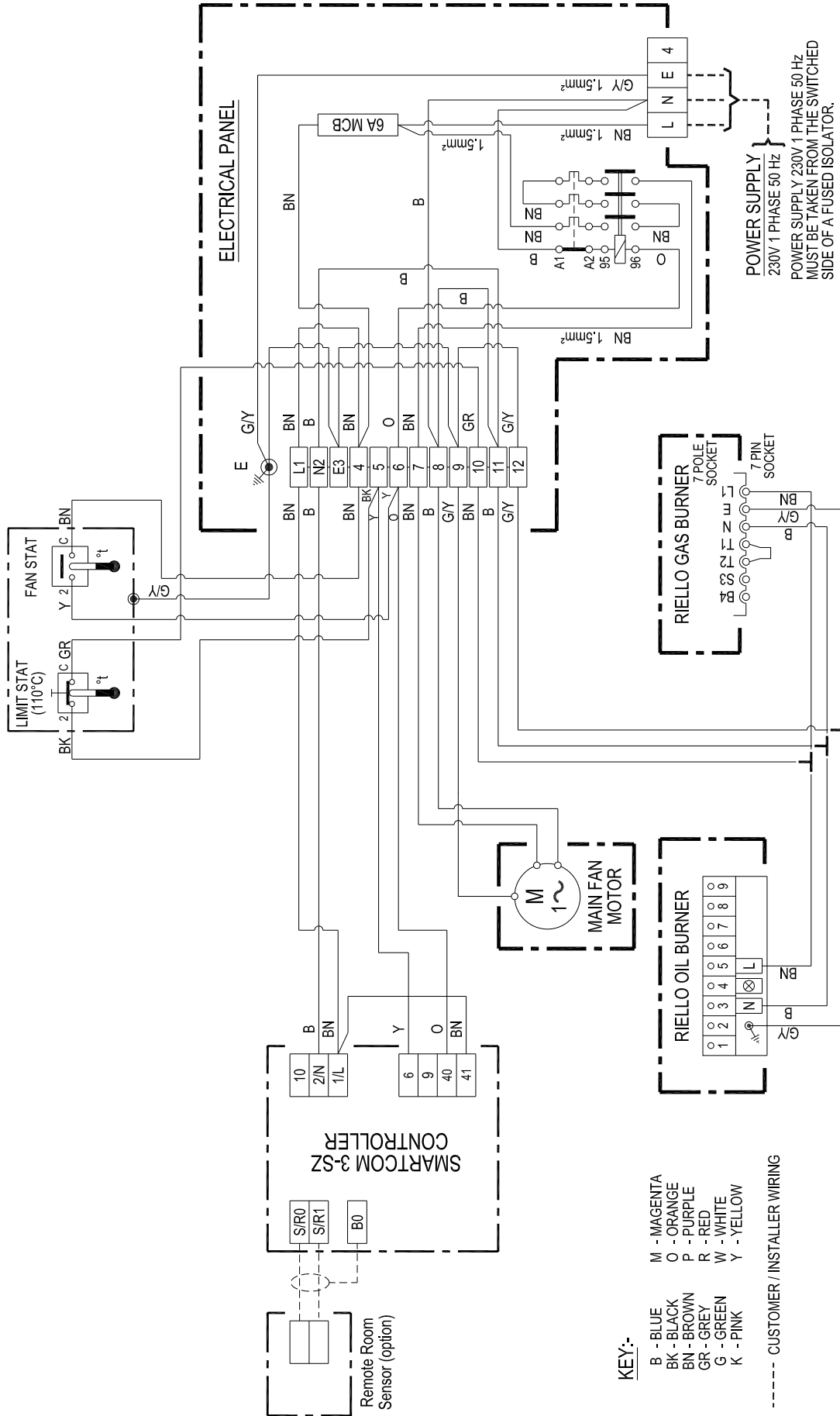
# Wiring Diagram 20-45-601

## 60 - 85 ON/OFF Riello Burner Integral SC<sup>3</sup>-SZ 230/50/1ph



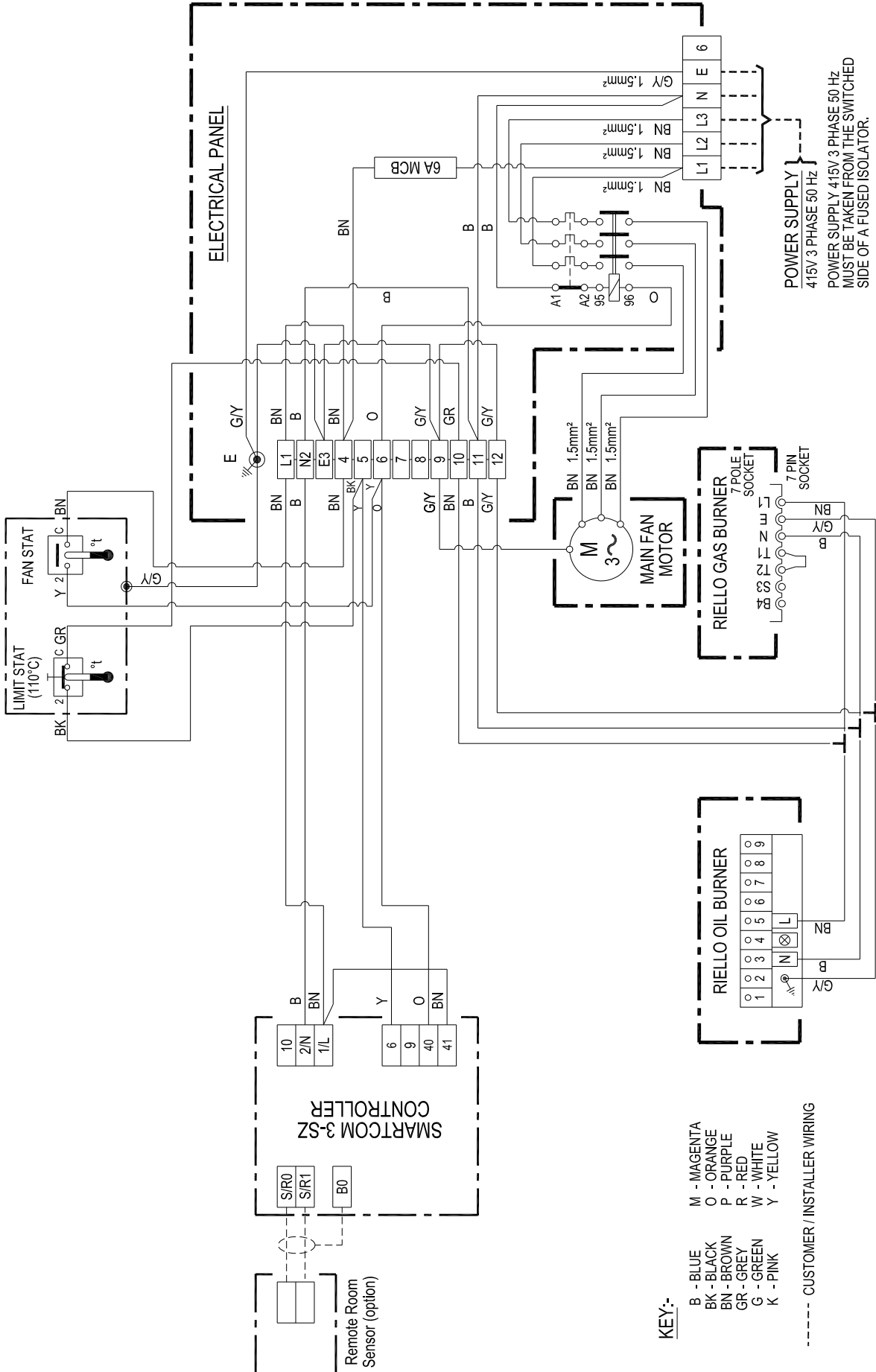
# Wiring Diagram 20-45-602

## 120 - 135 ON/OFF Riello Burner Integral SC<sup>3</sup>-SZ 230/50/1ph



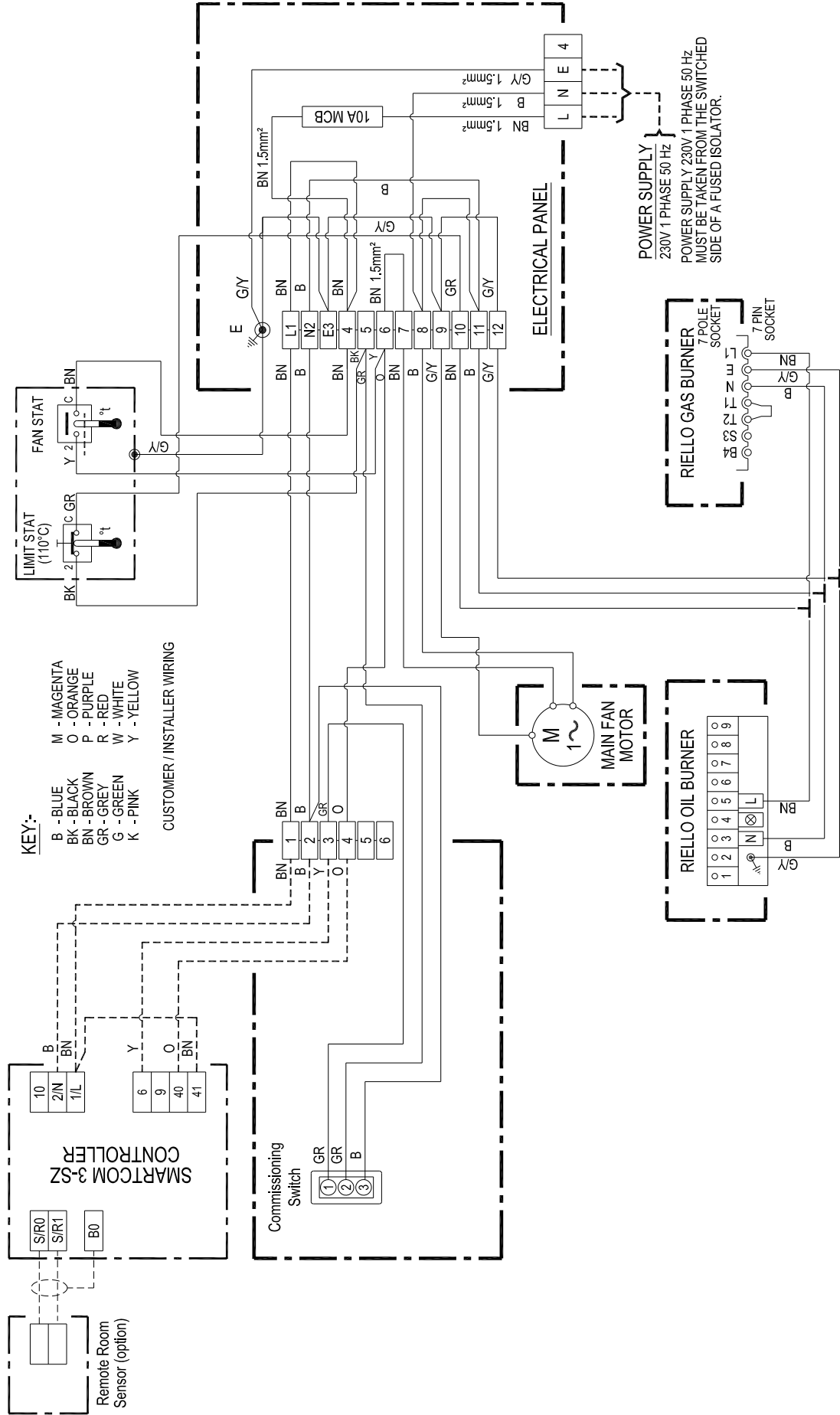
Wiring Diagram 20-45-603

60 - 275 ON/OFF Riello Burner Integral SC<sup>3</sup>-SZ 415/50/3ph



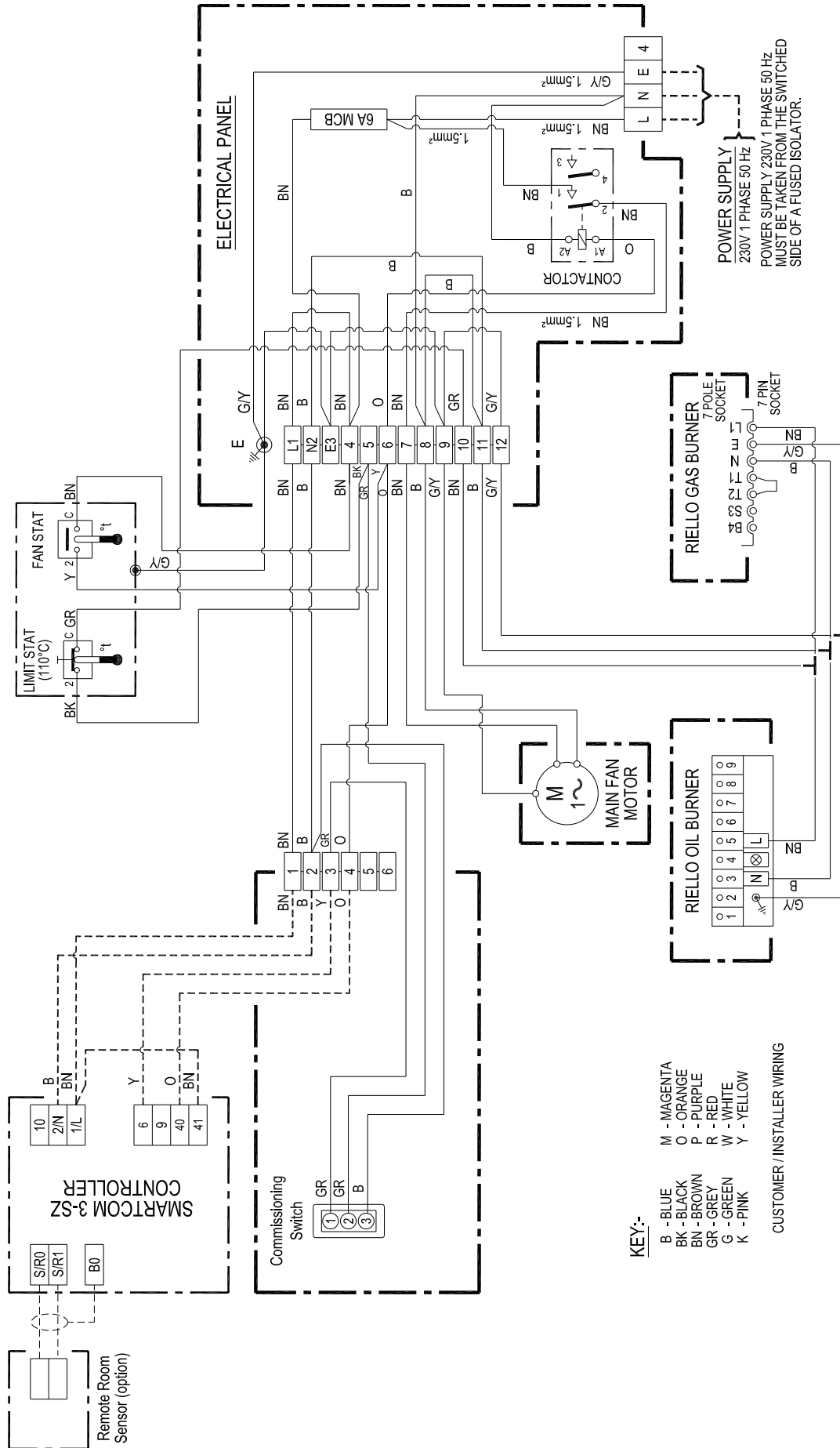
# Wiring Diagram 20-45-616

## 30 - 40 ON/OFF Riello Burner Remote SC<sup>3</sup>-SZ 230/50/1ph



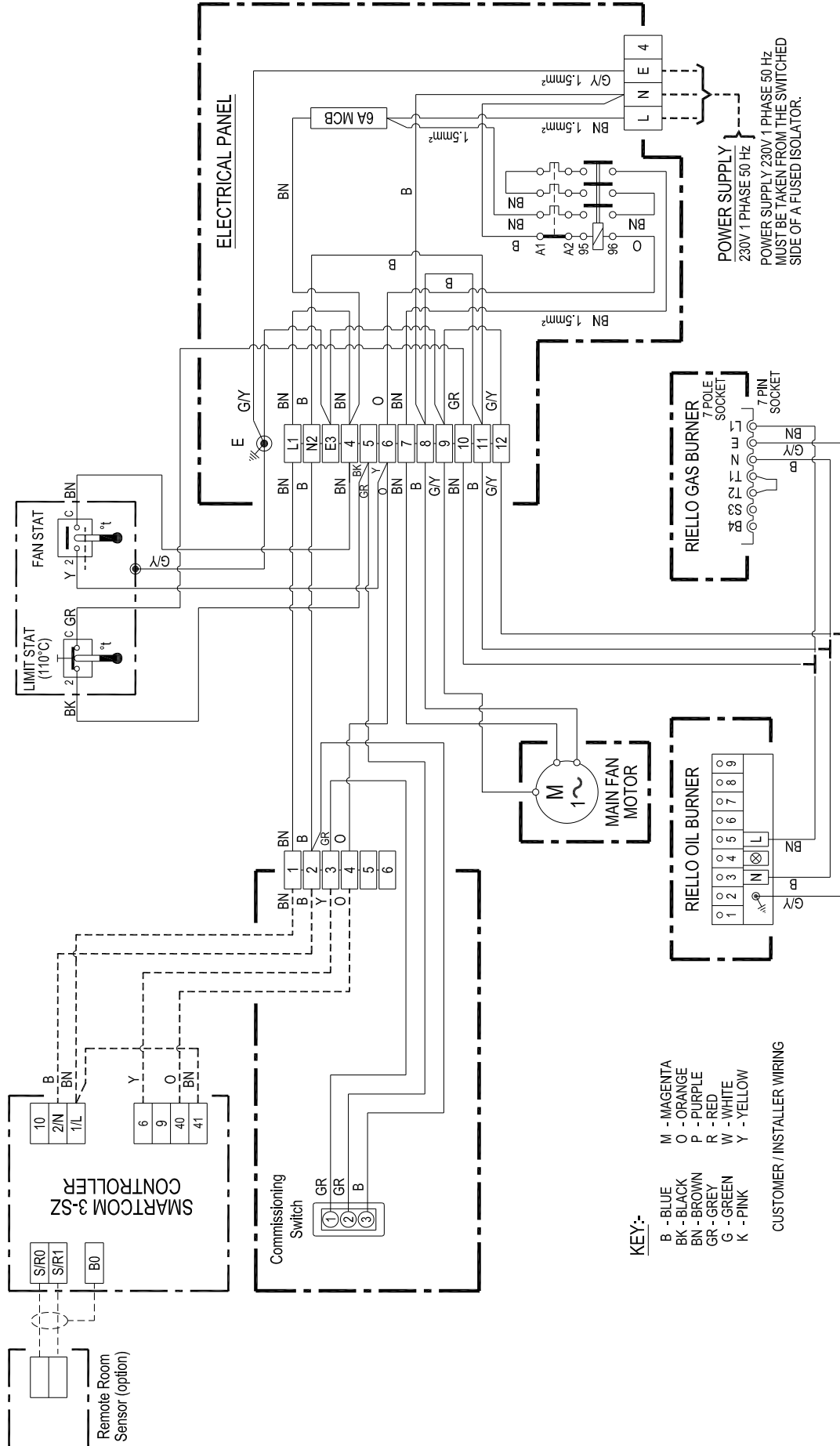
# Wiring Diagram 20-45-617

## 60 - 85 ON/OFF Riello Burner Remote SC<sup>3</sup>-SZ 230/50/1ph



# Wiring Diagram 20-45-618

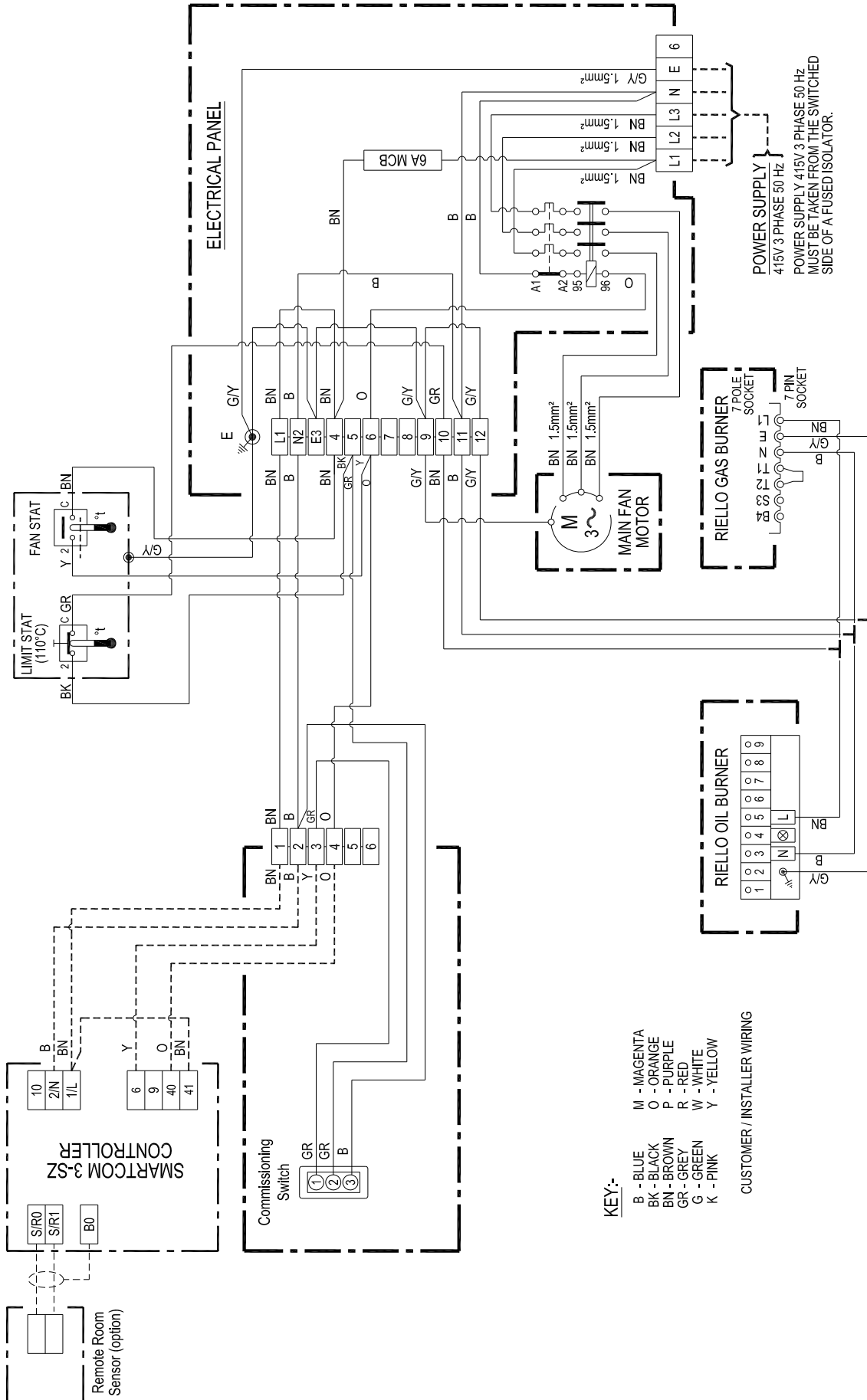
## 120 - 135 ON/OFF Riello Burner Remote SC<sup>3</sup>-SZ 230/50/1ph





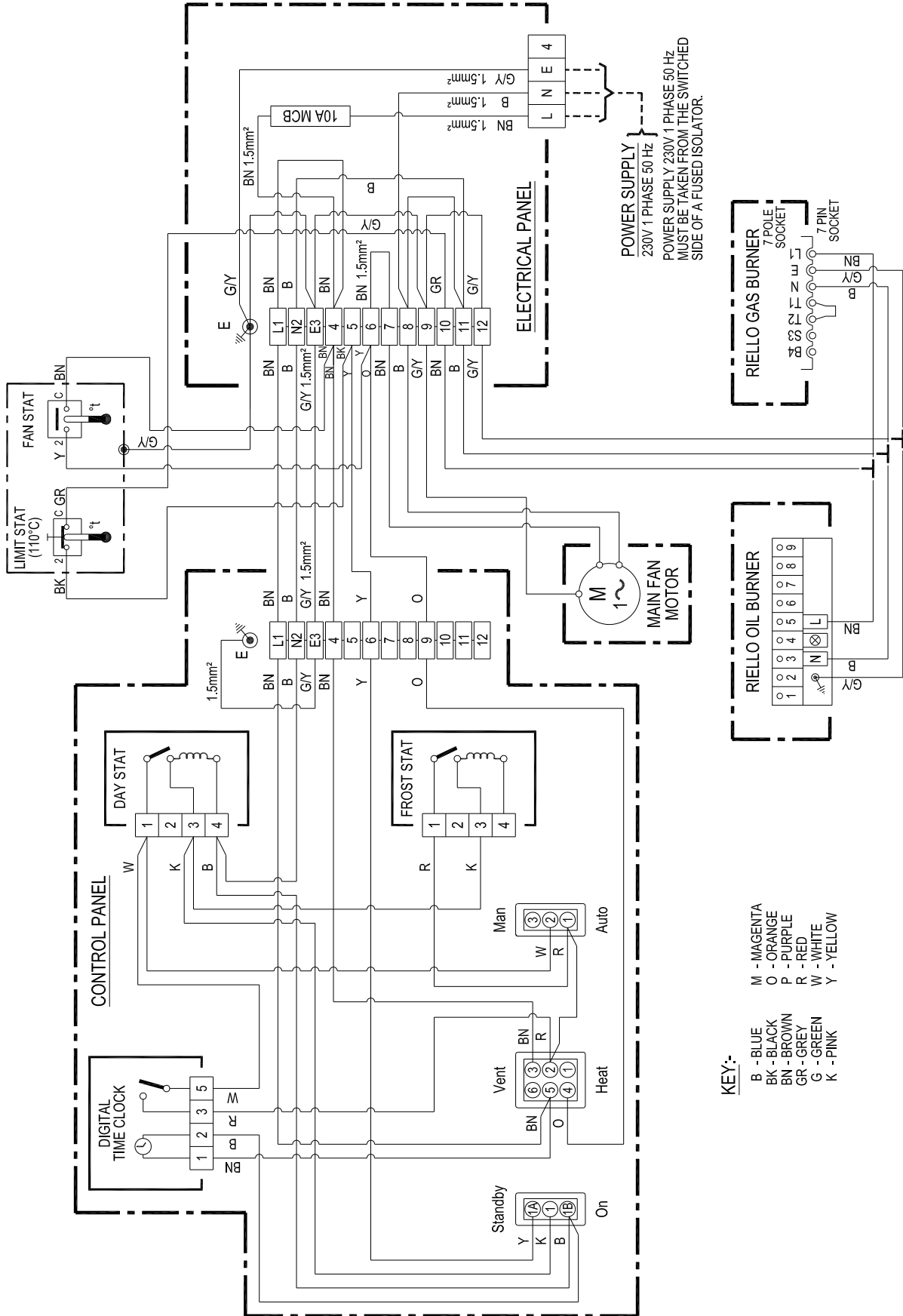
# Wiring Diagram 20-45-619

## 60 - 275 ON/OFF Riello Burner Remote SC<sup>3</sup>-SZ 415/50/3ph



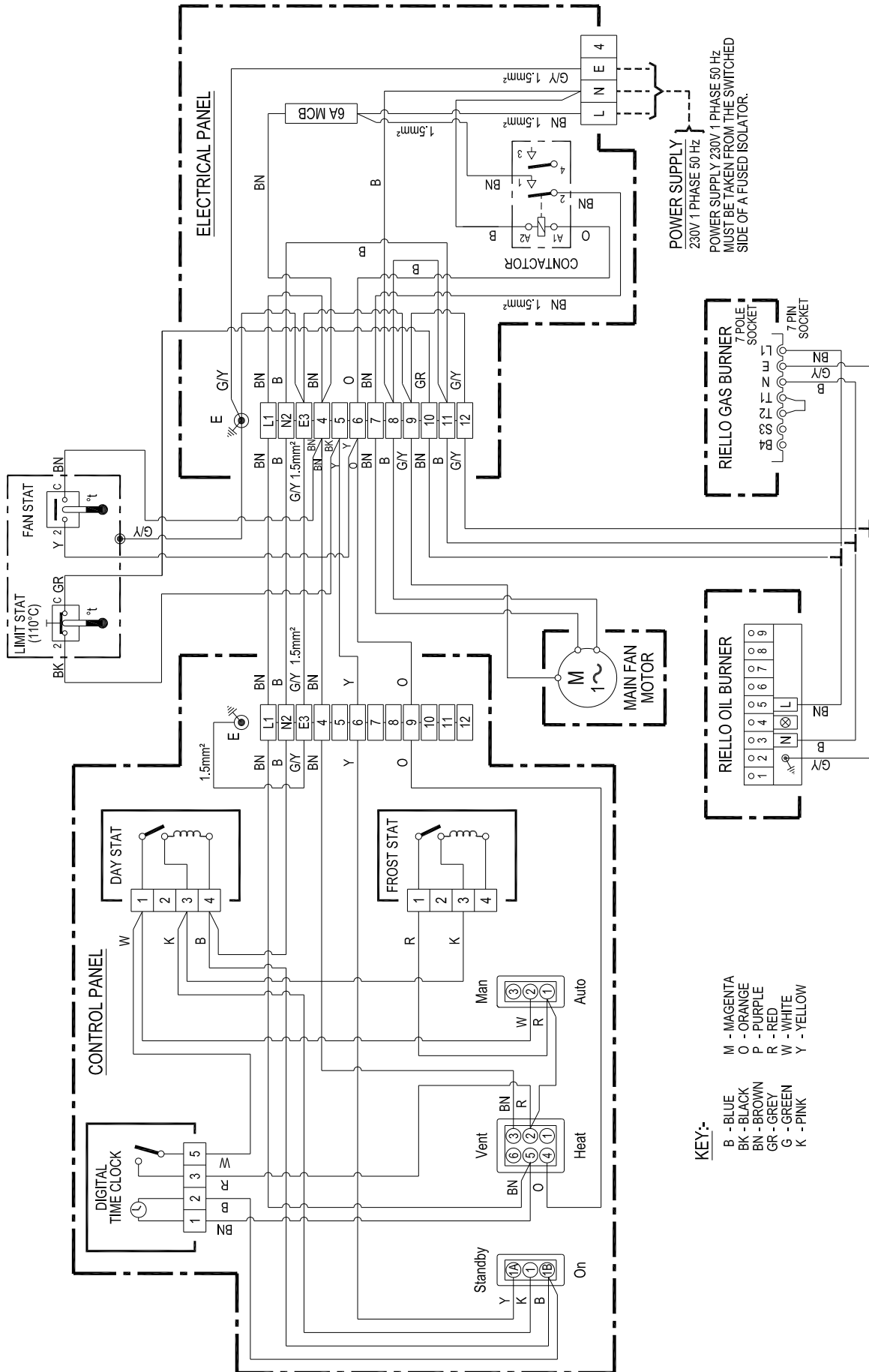
# Wiring Diagram 20-45-608

## 30 - 40 ON/OFF Riello Burner Integral Digital Controller 230/50/1ph



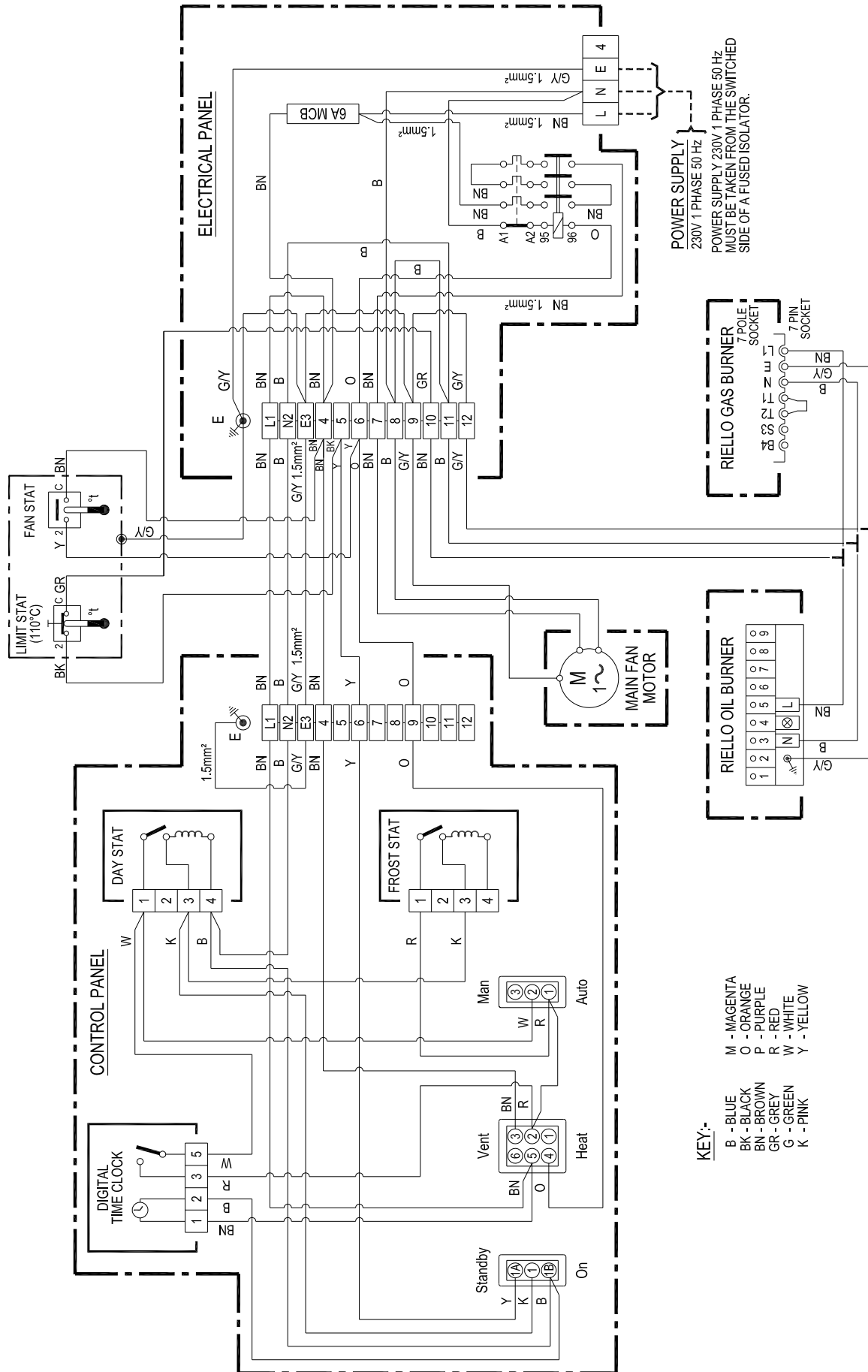
# Wiring Diagram 20-45-609

## 60 - 85 ON/OFF Riello Burner Integral Digital Controller 230/50/1ph



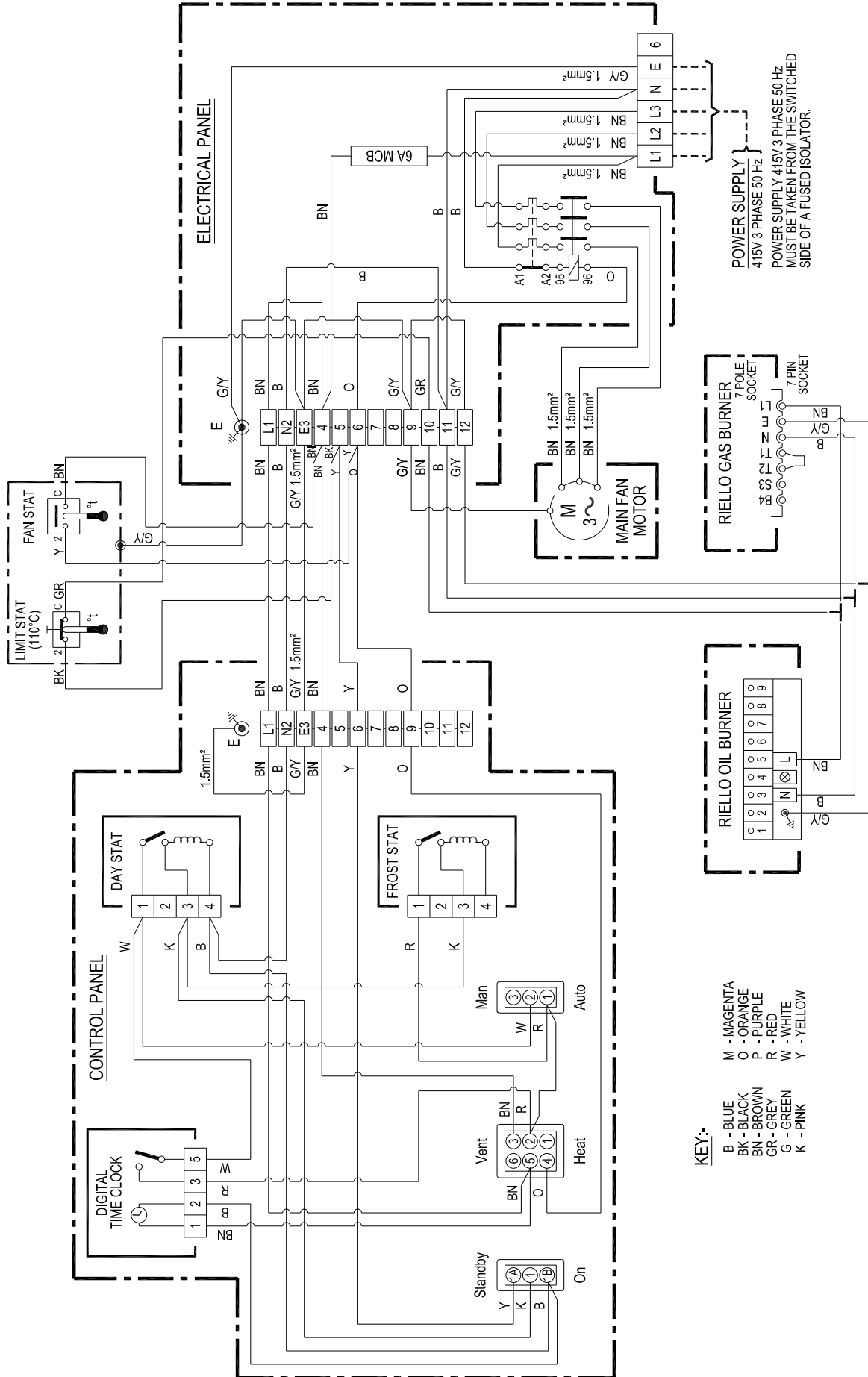
# Wiring Diagram 20-45-610

## 120 - 135 ON/OFF Riello Burner Integral Digital Controller 230/50/1ph



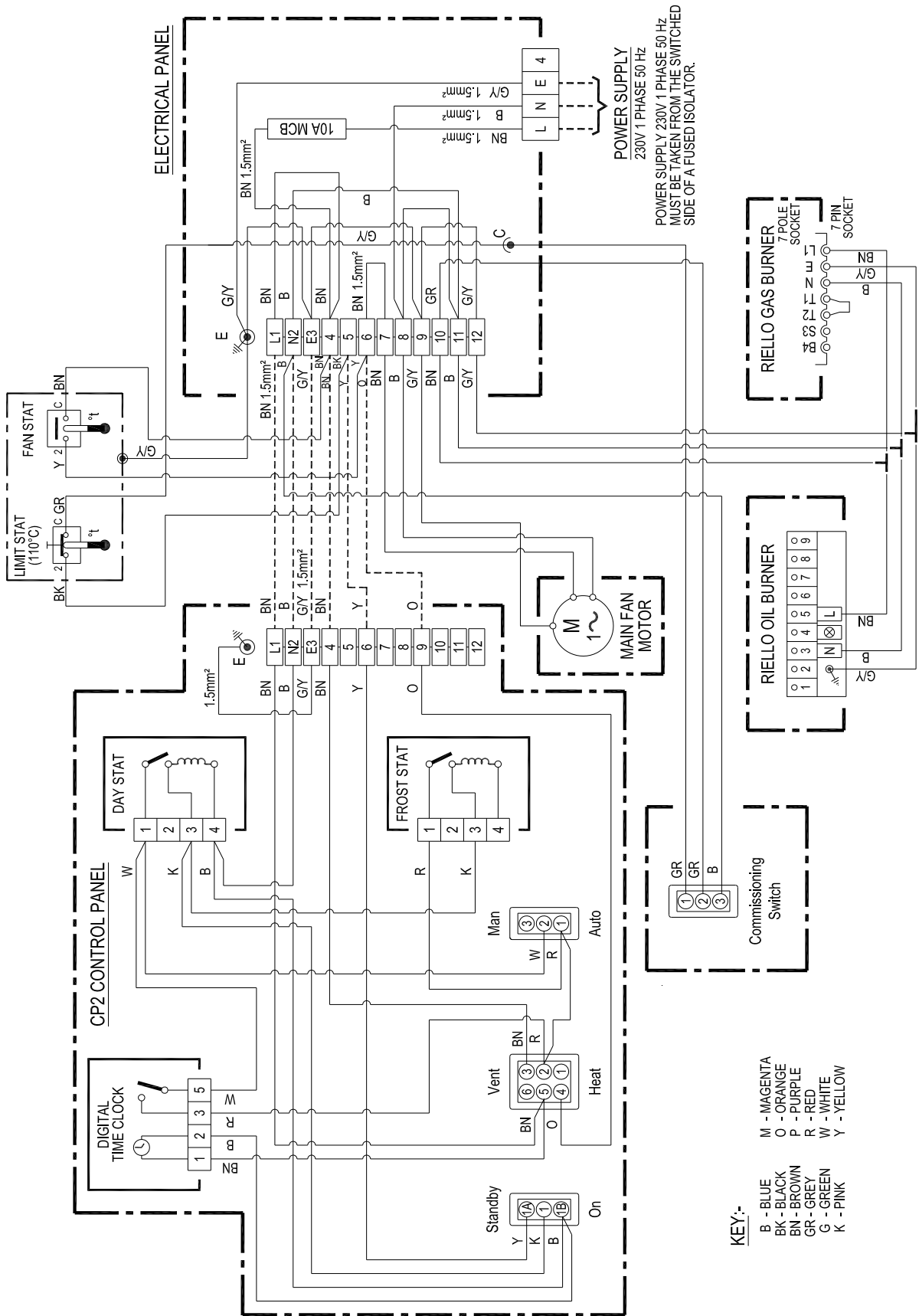
# Wiring Diagram 20-45-611

## 60 - 275 ON/OFF Riello Burner Integral Digital Controller 415/50/3ph



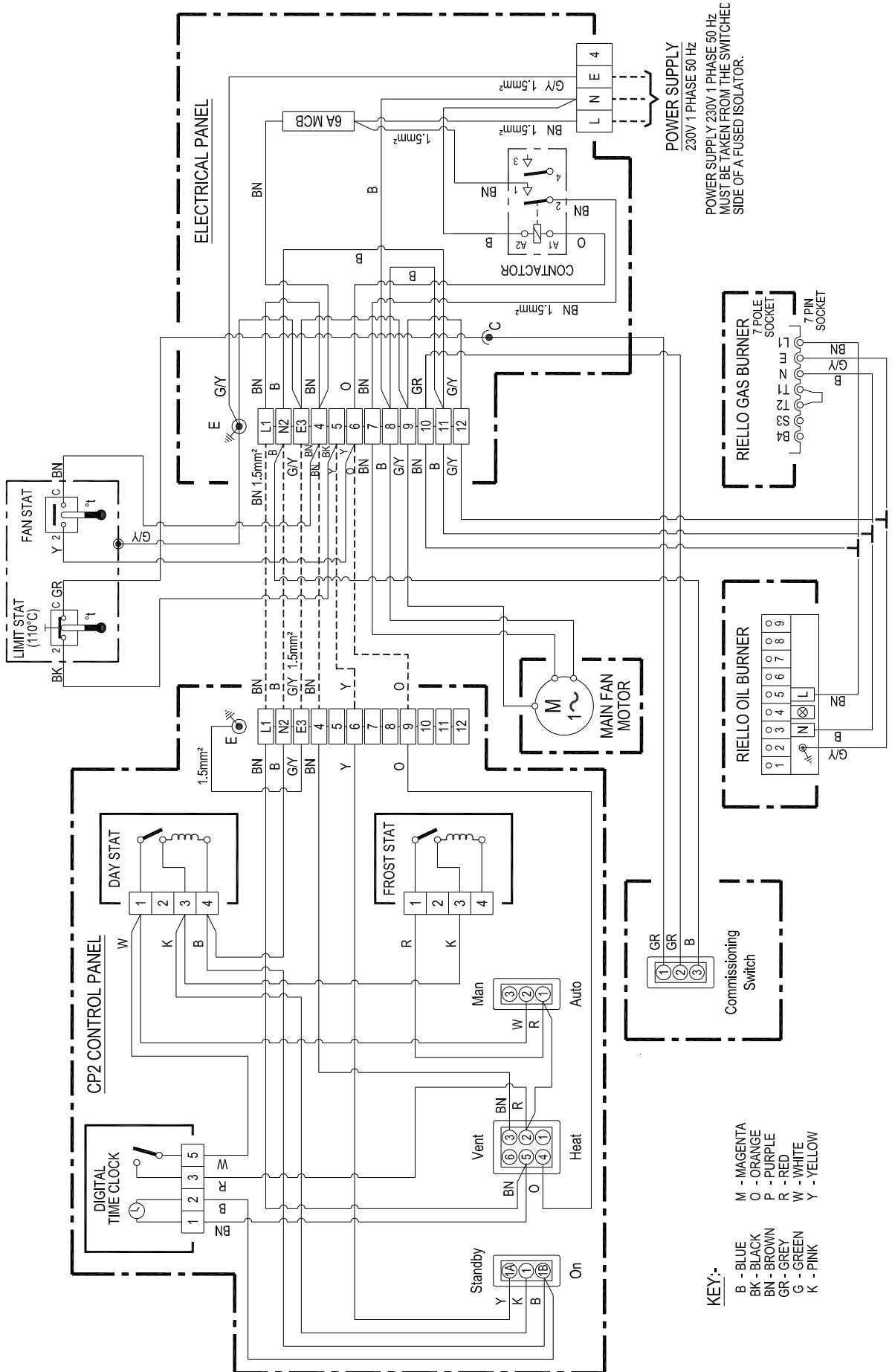
# Wiring Diagram 20-45-624

## 30 - 40 ON/OFF Riello Burner Remote CP2 230/50/1ph



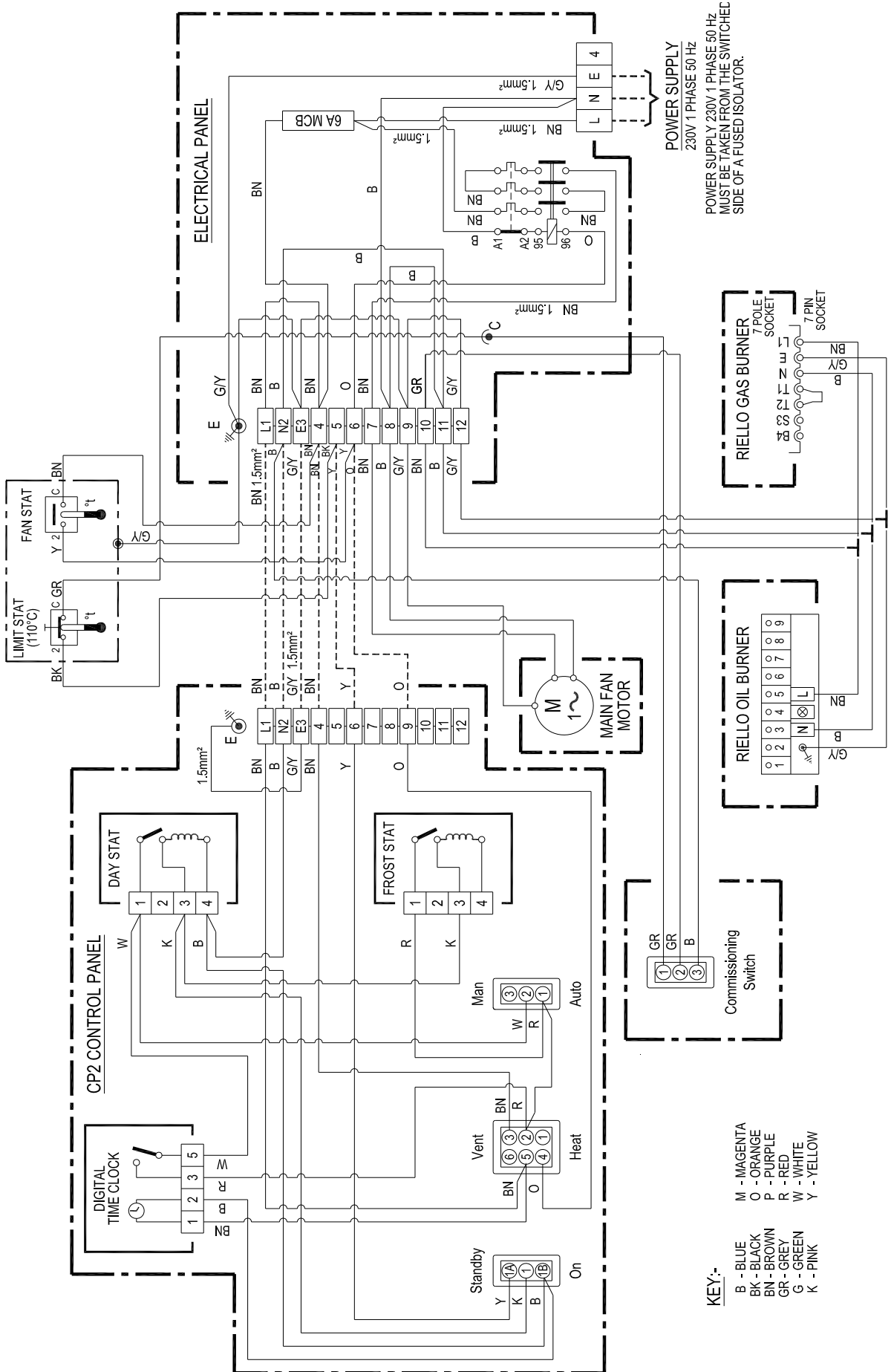
# Wiring Diagram 20-45-625

## 60 - 85 ON/OFF Riello Burner Remote CP2 230/50/1ph



# Wiring Diagram 20-45-626

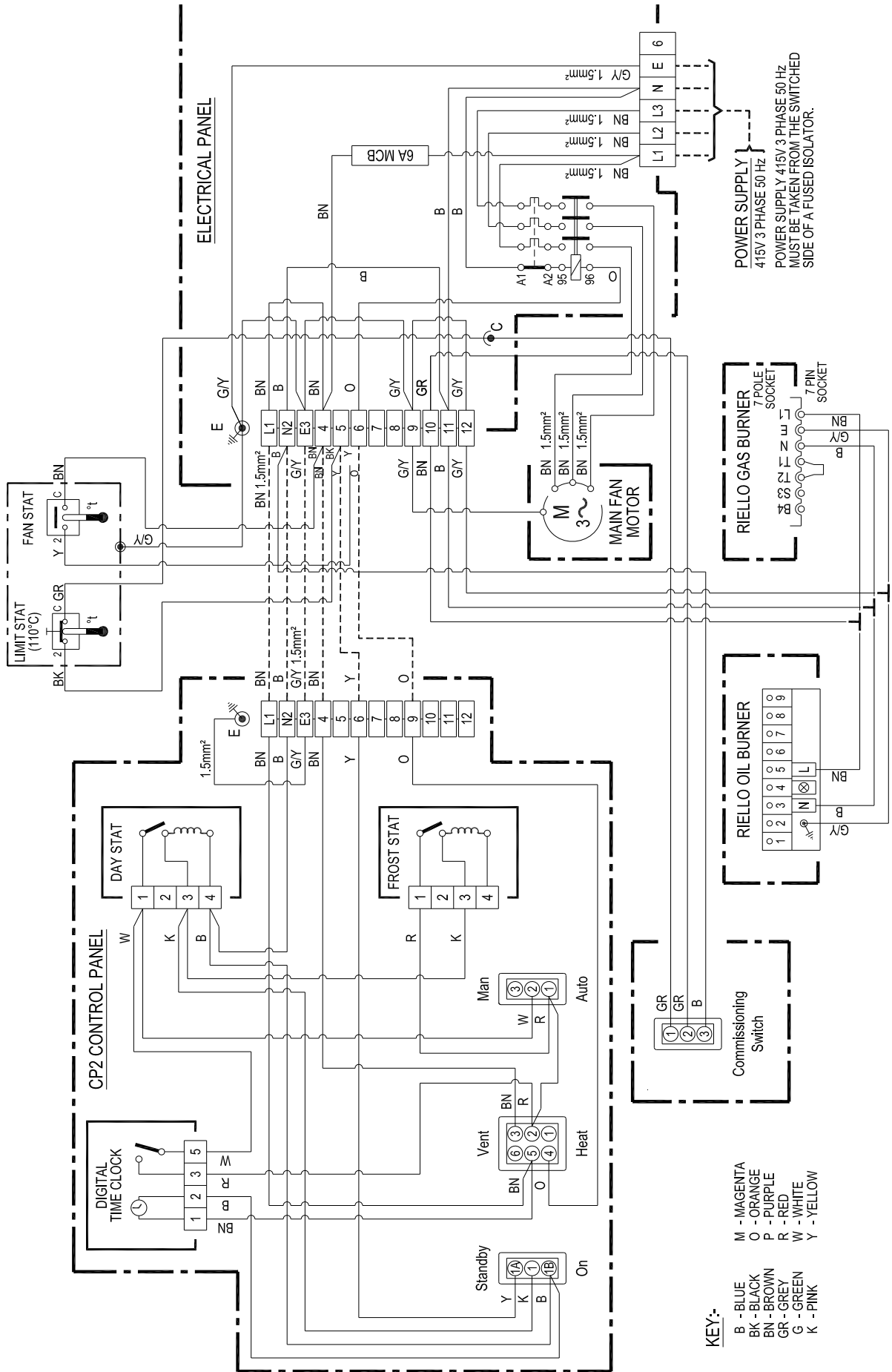
## 120 - 135 ON/OFF Riello Burner Remote CP2 230/50/1ph





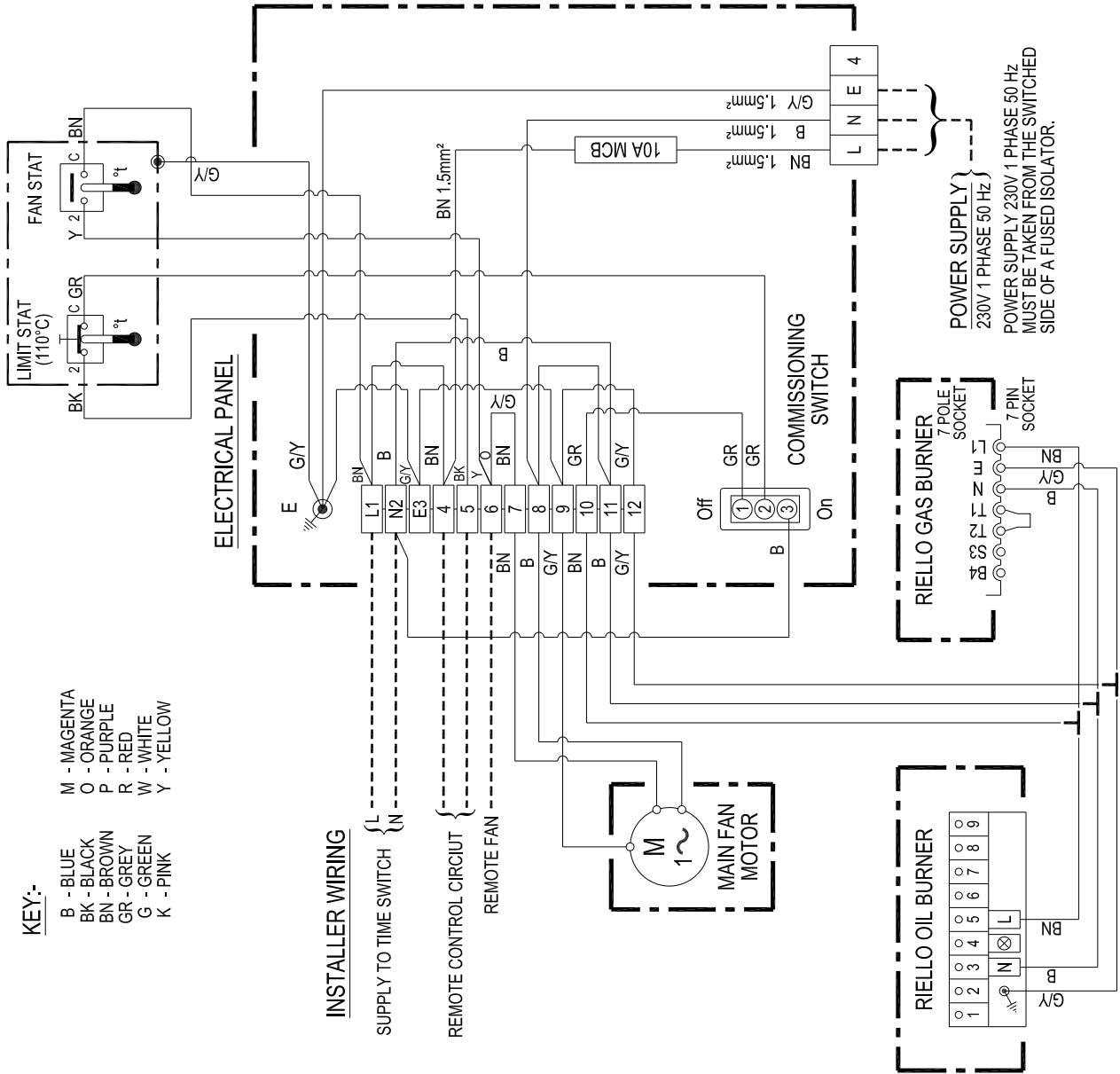
Wiring Diagram 20-45-627

60 - 275 ON/OFF Riello Burner Remote CP2 415/50/3ph



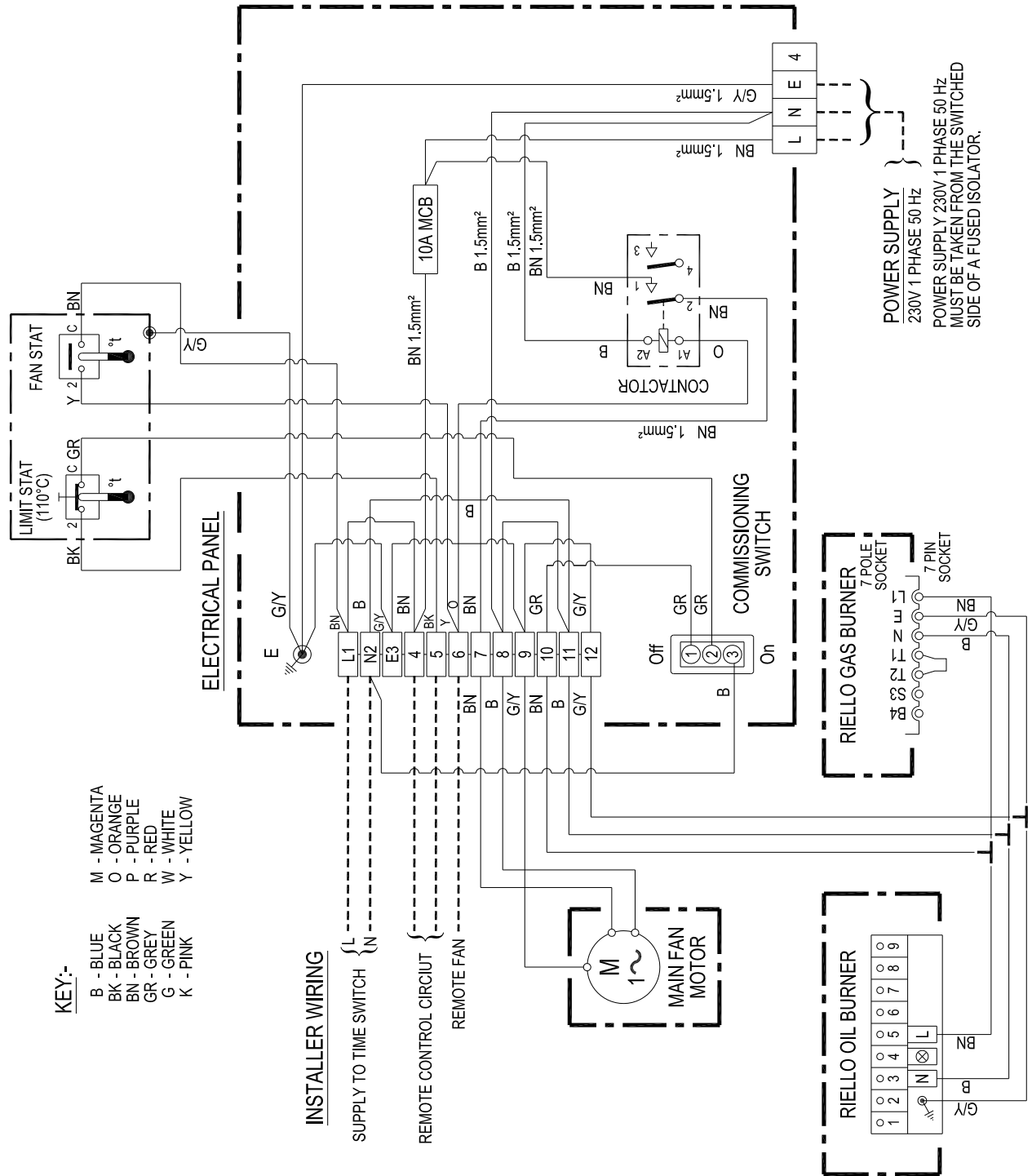
# Wiring Diagram 20-45-612

## 30 - 40 ON/OFF Riello Burner No Controls 230/50/1ph



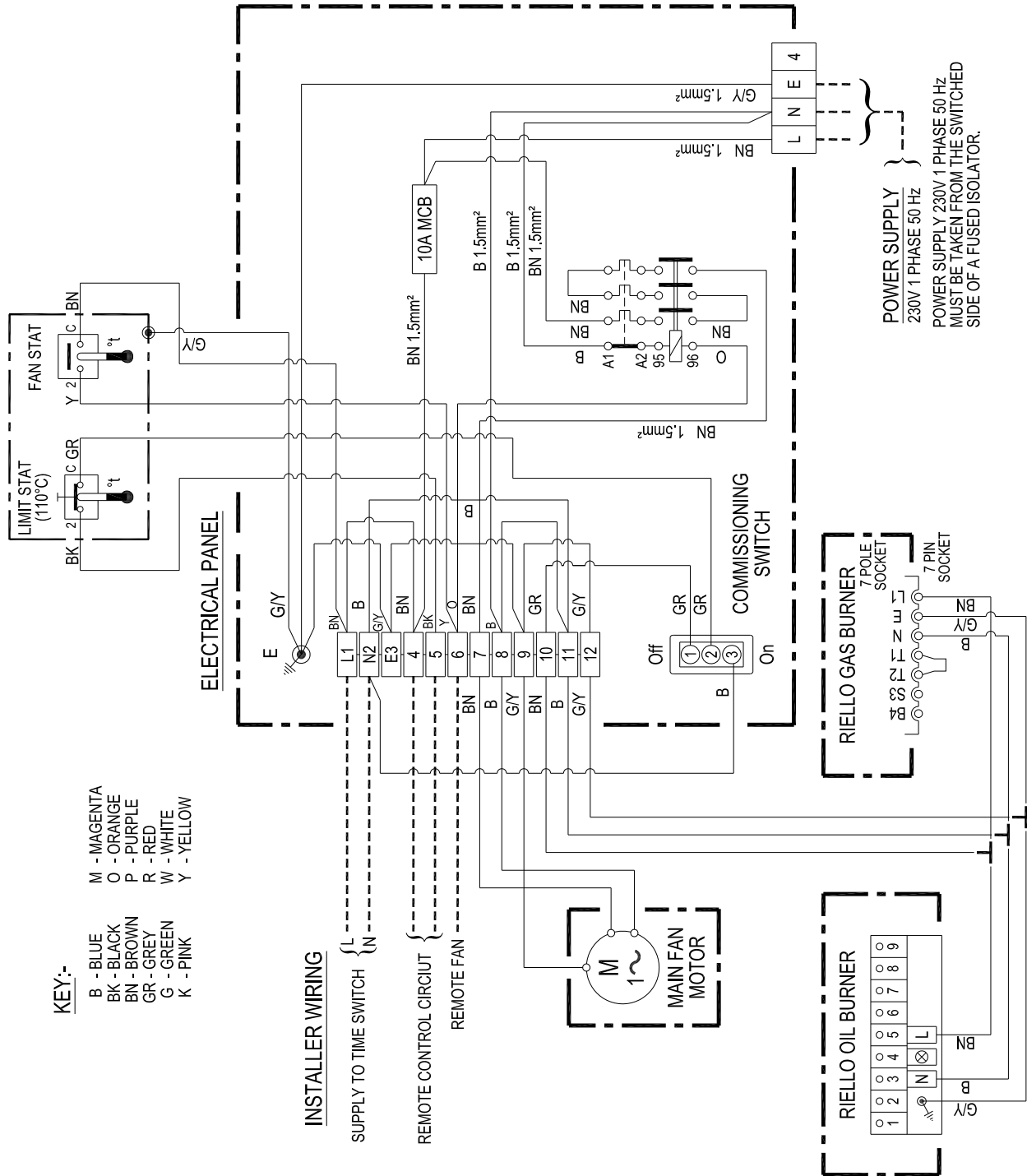
# Wiring Diagram 20-45-613

## 60 - 85 ON/OFF Riello Burner No Controls 230/50/1ph



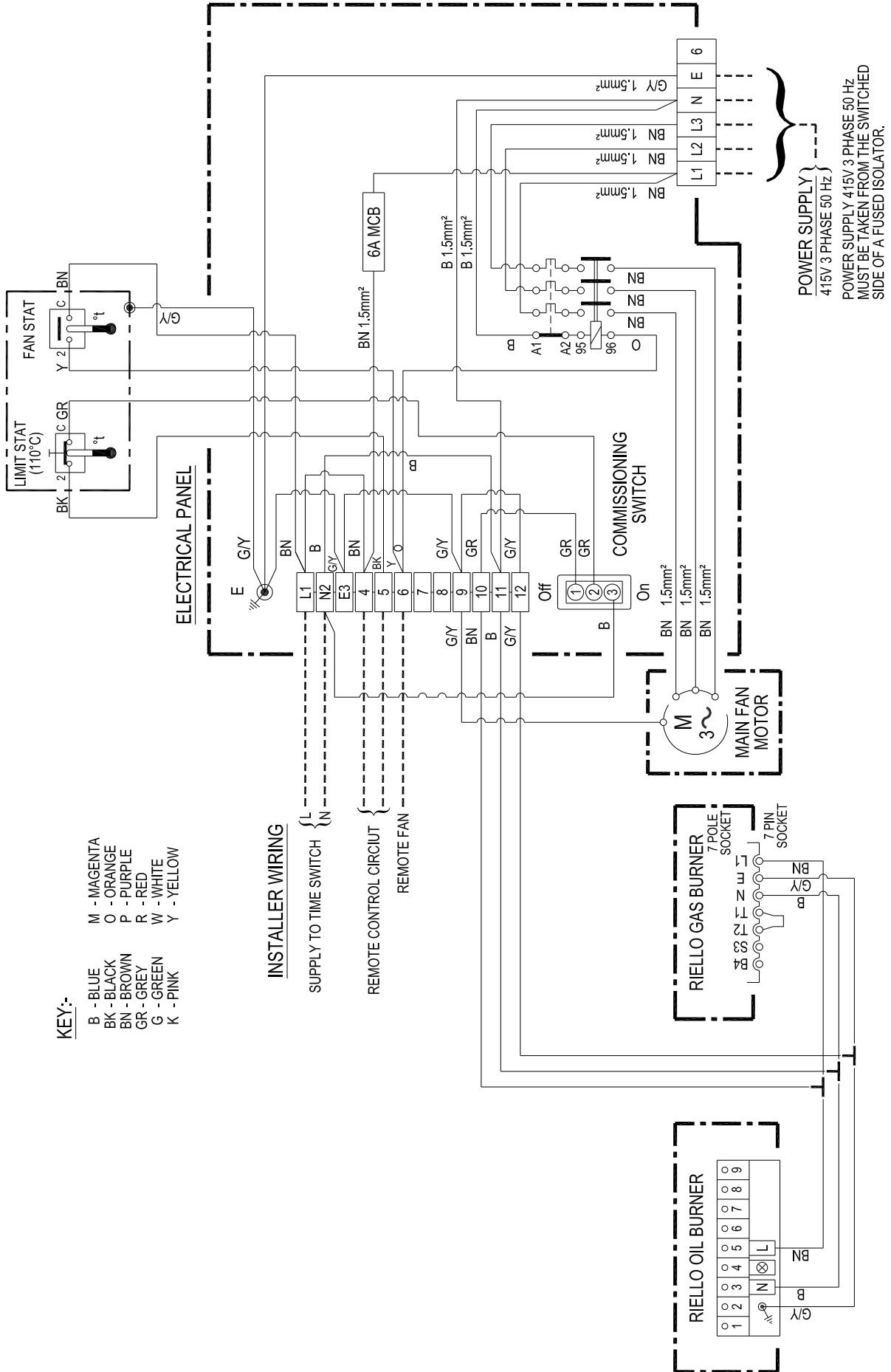
# Wiring Diagram 20-45-614

120 - 135 ON/OFF Riello Burner No Controls 230/50/1ph



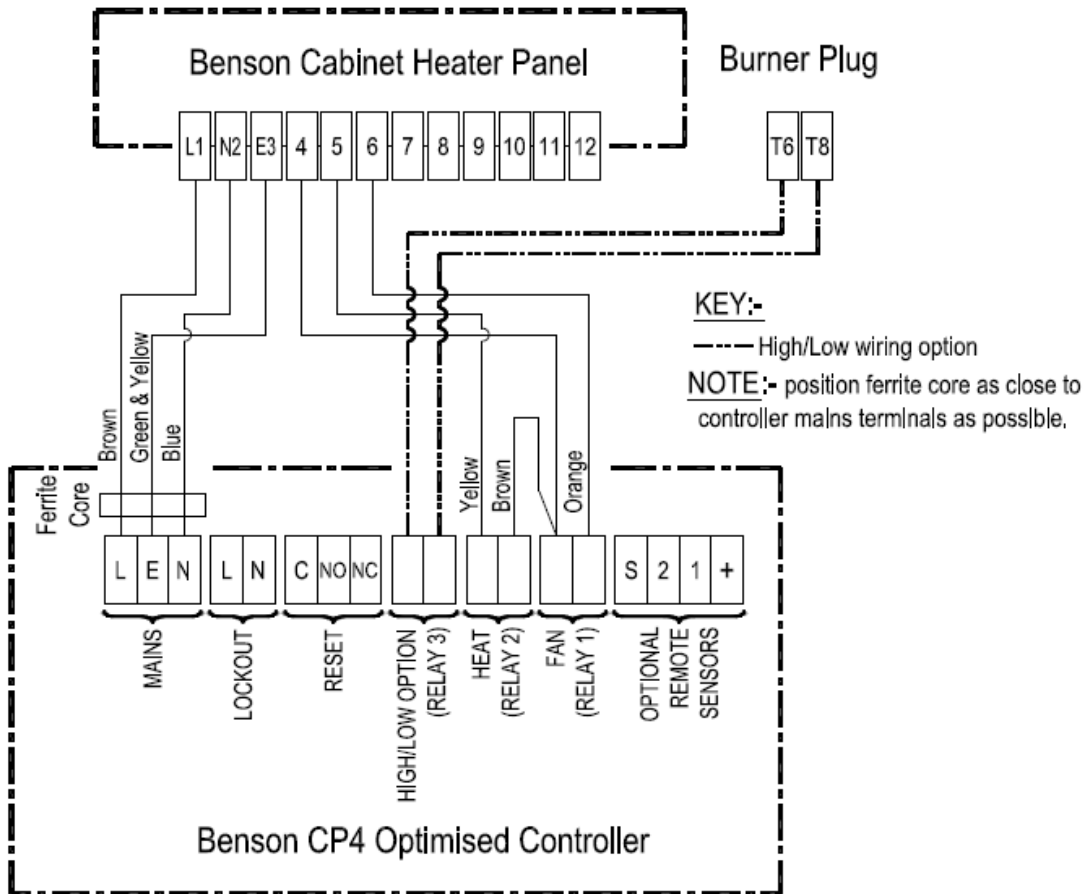
# Wiring Diagram 20-45-615

## 60 - 275 ON/OFF Riello Burner No Controls 415/50/3ph



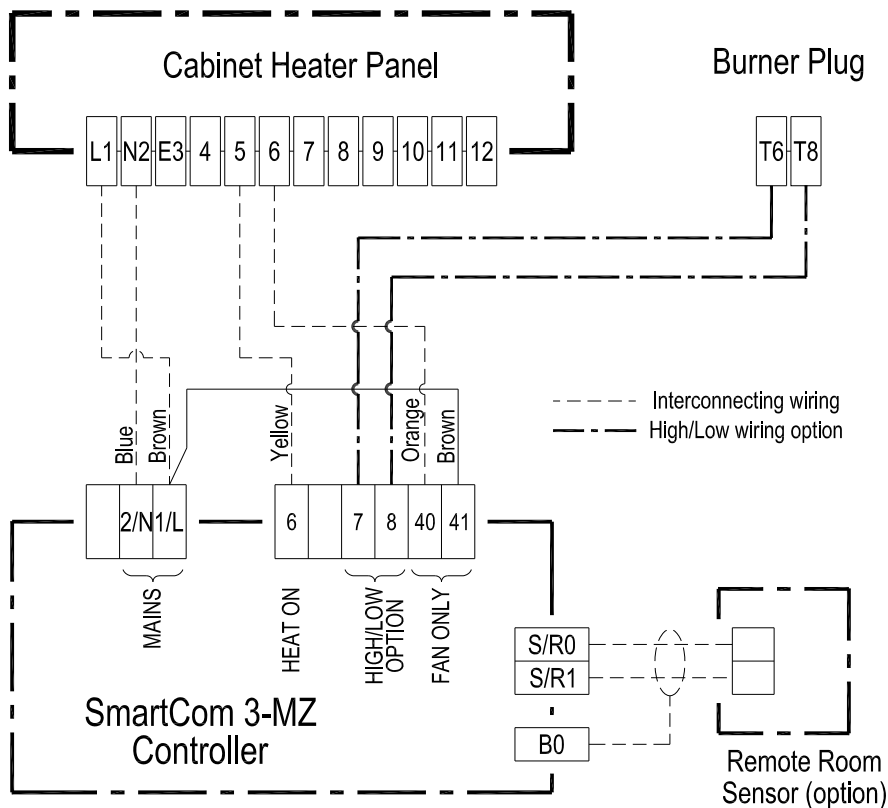
**Wiring Diagram 20-45-292**

**HI/LOW option Riello Burner CP4 Control**



**Wiring Diagram 20-45-425**

**HI/LOW option Riello Burner SC3-MZ**





# AmbiRad Group

Heating and Ventilation Solutions

Technical Support:

Tel: **01384 489 200**

Fax: **01384 489 707**

[ambiradgroupsupport@tnb.com](mailto:ambiradgroupsupport@tnb.com)  
[www.ambiradgroup.co.uk](http://www.ambiradgroup.co.uk)

**AMBIRAD AIRBLOC NORDAIRNICHE BENSON**

A Thomas & Betts Company. Registered in England No. 1390934. Registered office: 27/28 East Castle Street, London.

AmbiRad UK is a registered trademark of AmbiRad Limited. Because of continuous product innovation, AmbiRad reserves the right to change product specification without due notice.