
Technical Support:

Tel: 01384 489200

Email: ambiradgroupsupport@tnb.com

BENSON

WIRING DIAGRAM MANUAL FOR BENSON PV CABINET HEATER



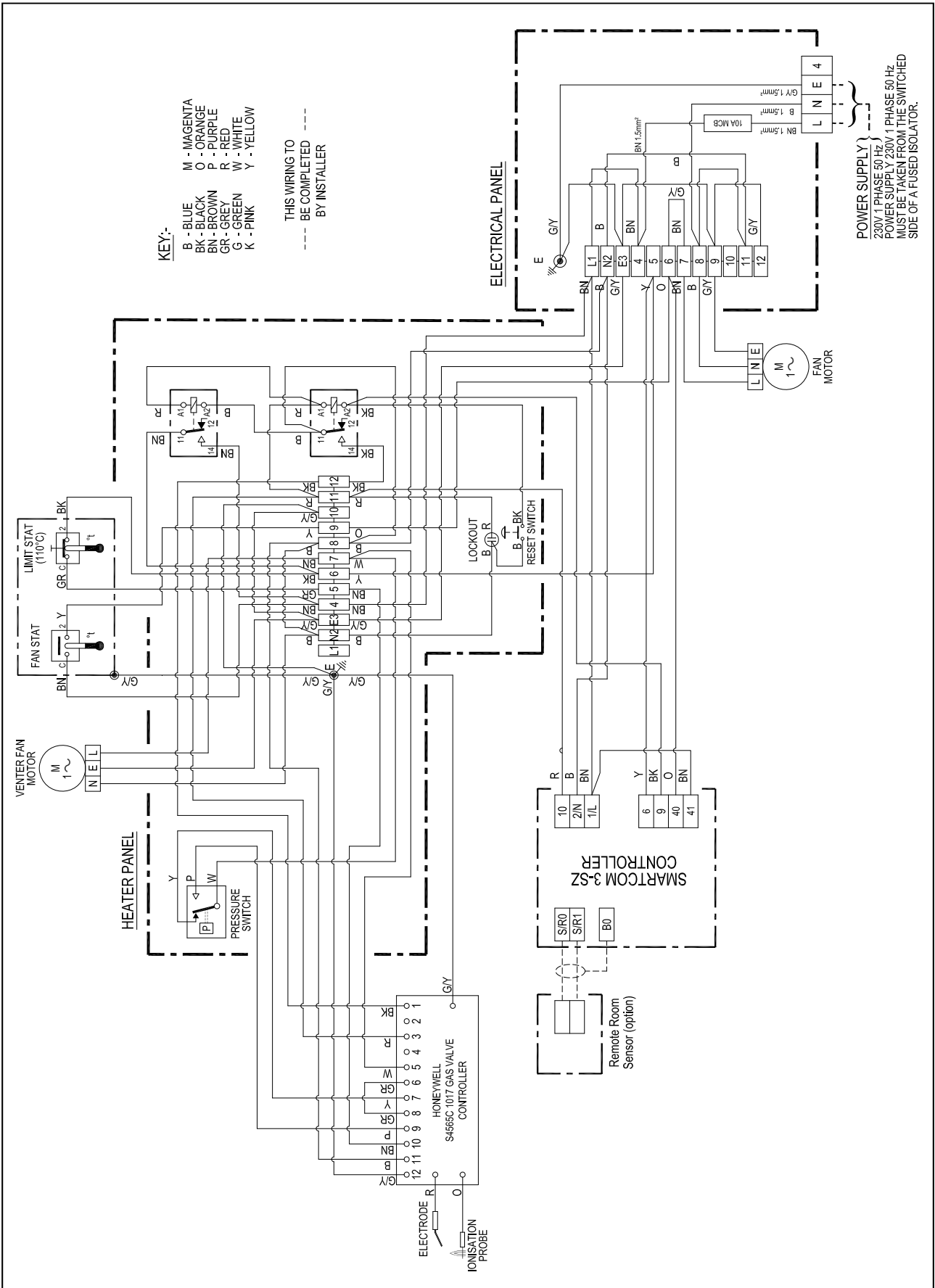
WARNINGS

Installation of Benson Equipment must be carried out in accordance with the current IEE wiring regulations (BS 7671), BS 6896 (Industrial & Commercial) and any other relevant British Standards and Codes of Practice by a qualified installer. All external wiring **MUST** comply with the current IEE wiring regulations.

Wiring Diagram 33-66-539

PV 30-50 ON/OFF Auto Ignition

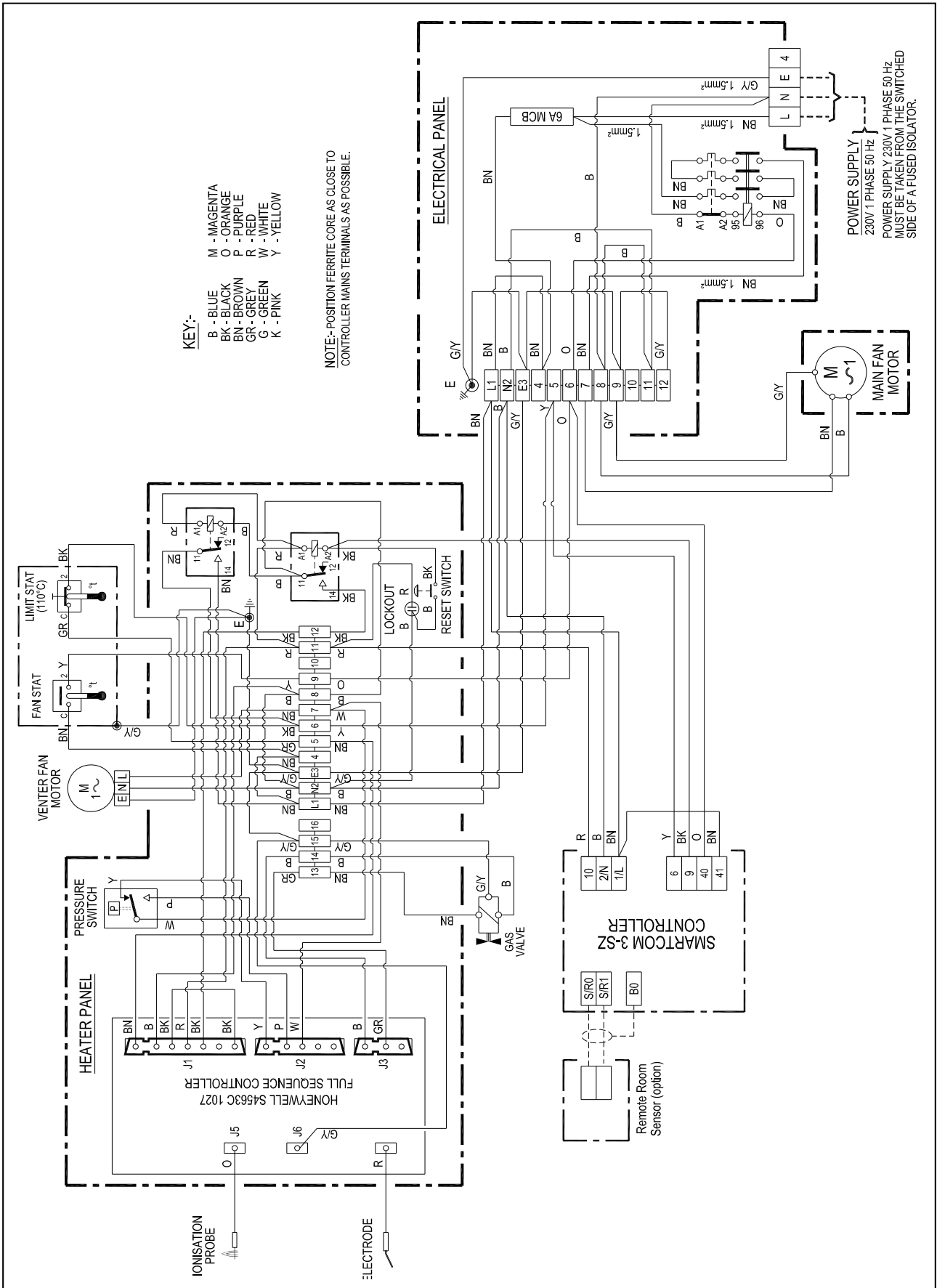
SC³-SZ 230/50/1ph (SmartCom Integral Controller)



Wiring Diagram 33-66-540

PV 72-145 ON/OFF Auto Ignition

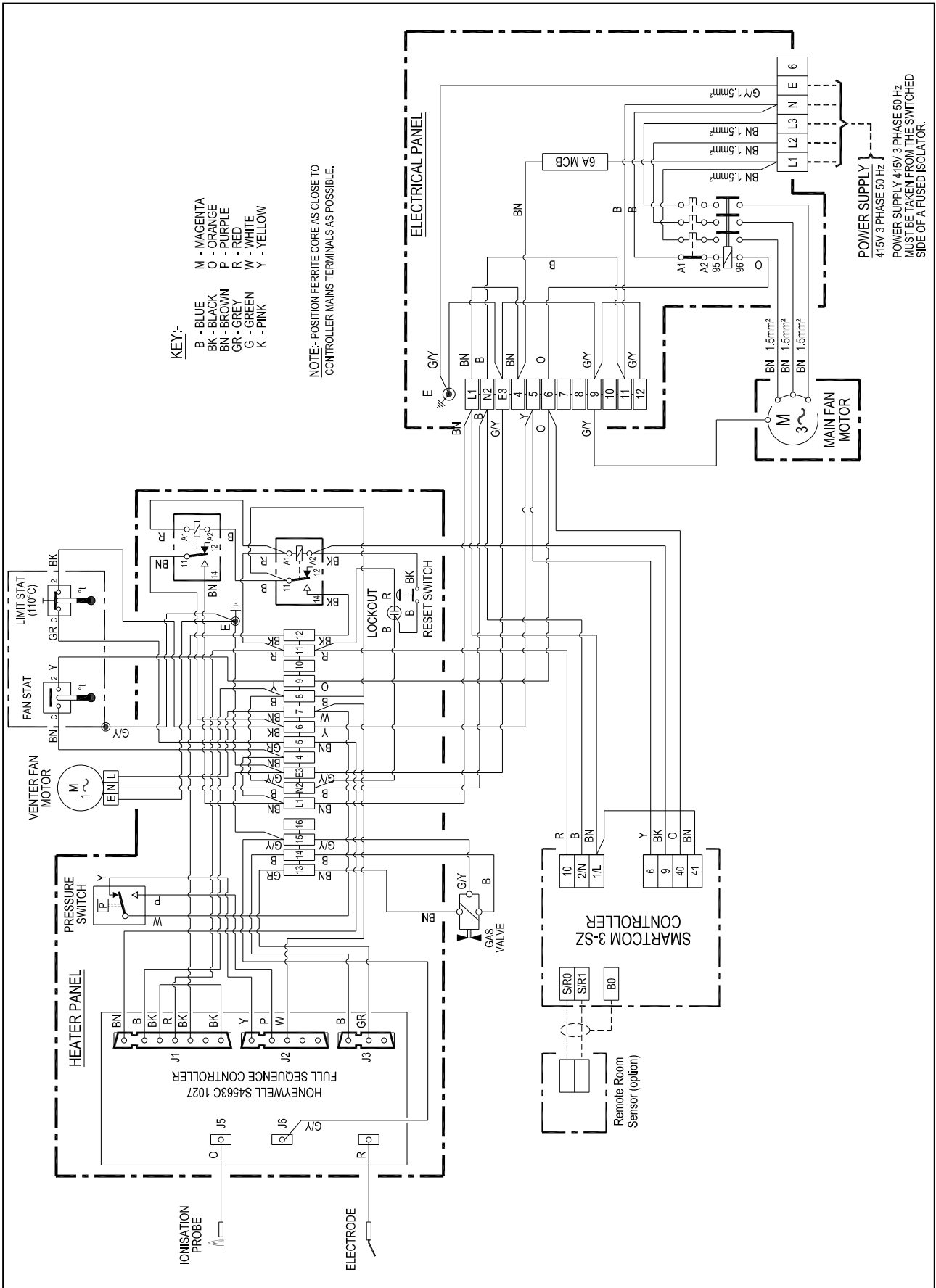
SC³-SZ 230/50/1ph (SmartCom Integral Controller)



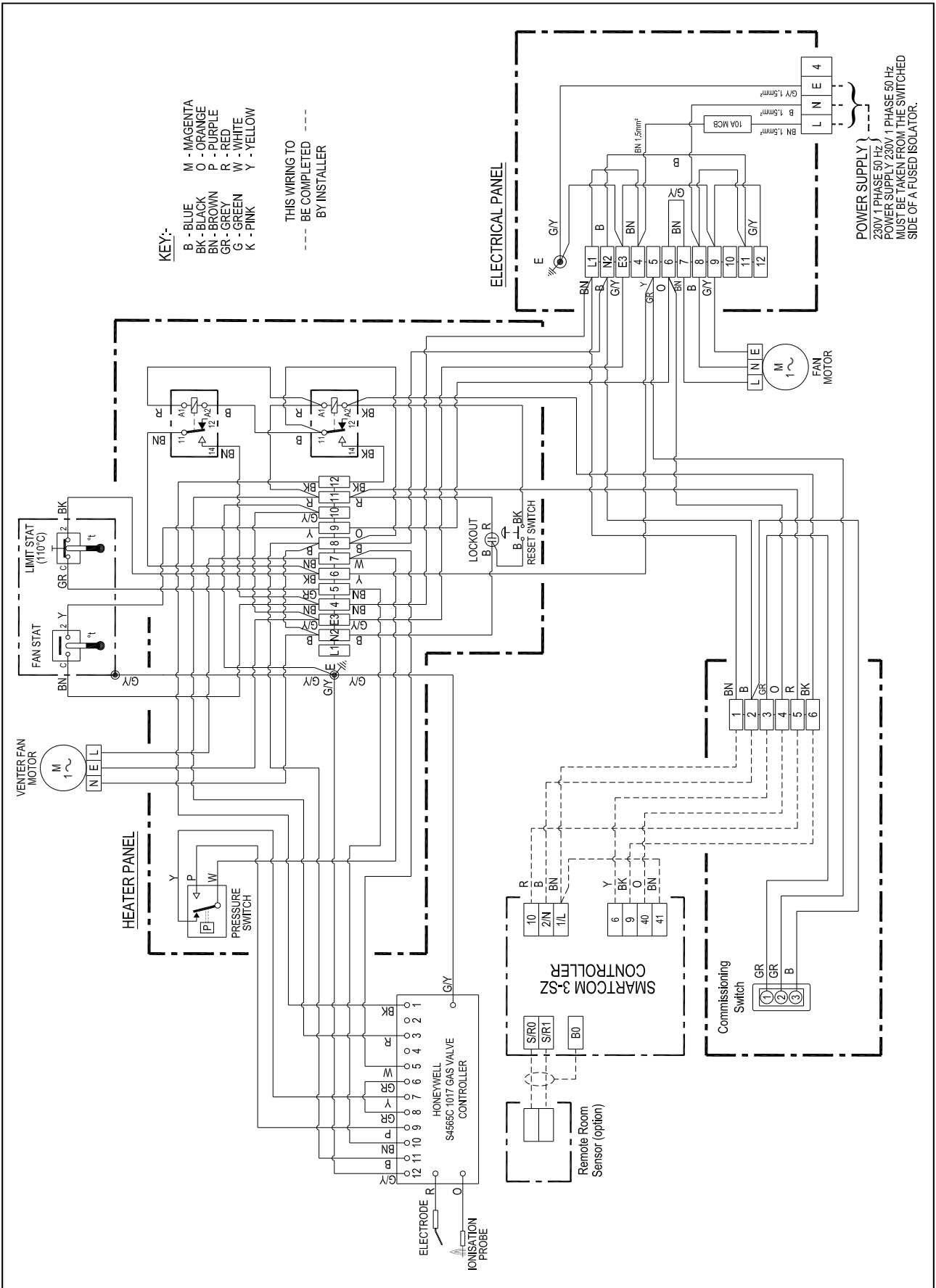
Wiring Diagram 33-66-541

PV 72-145 ON/OFF Auto Ignition

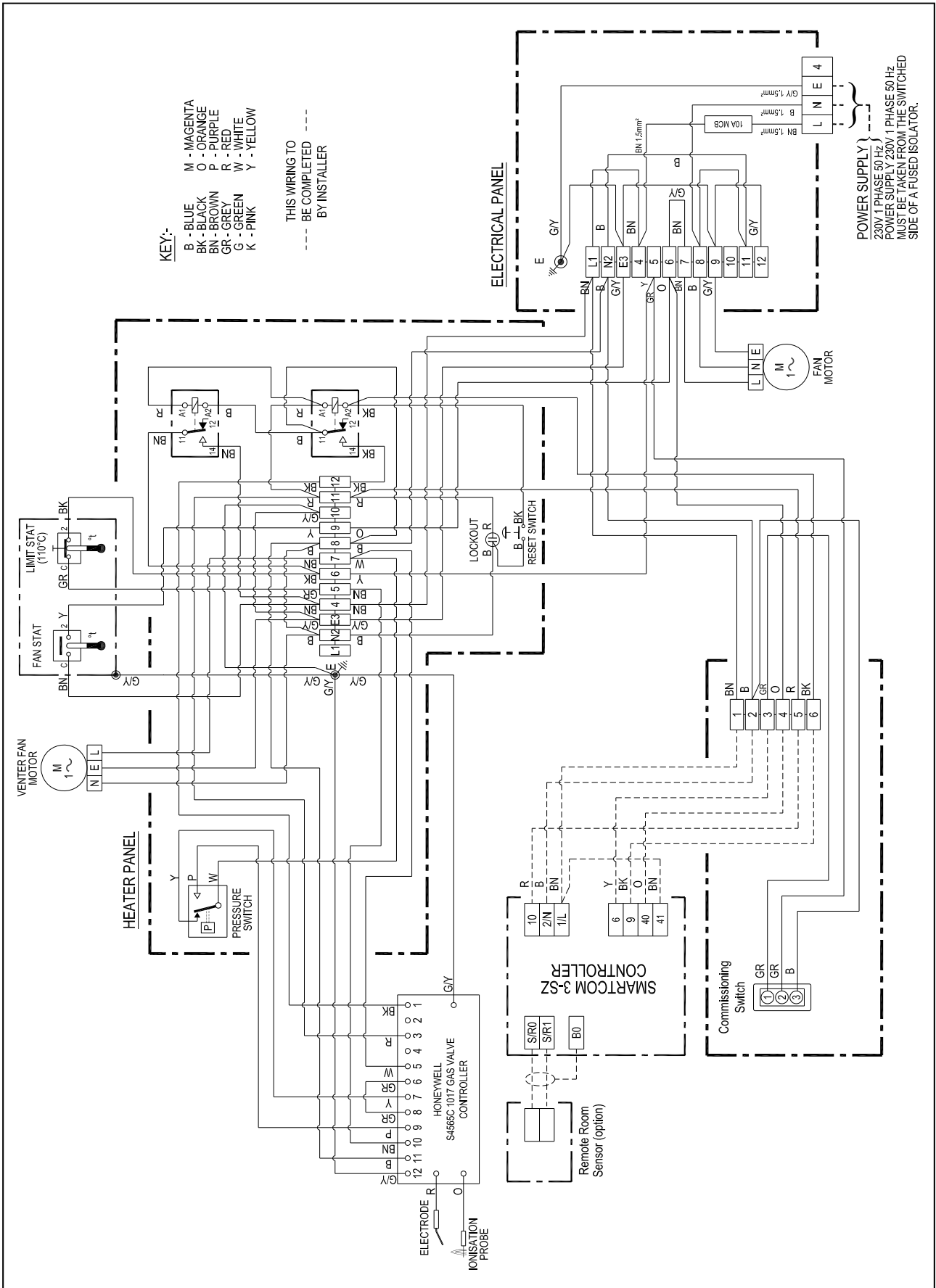
SC3-SZ 415/50/3ph (SmartCom Integral Controller)



Wiring Diagram 33-66-542
PV 30-50 ON/OFF Auto Ignition
SC³-SZ 230/50/1ph (Remote SmartCom Controller)



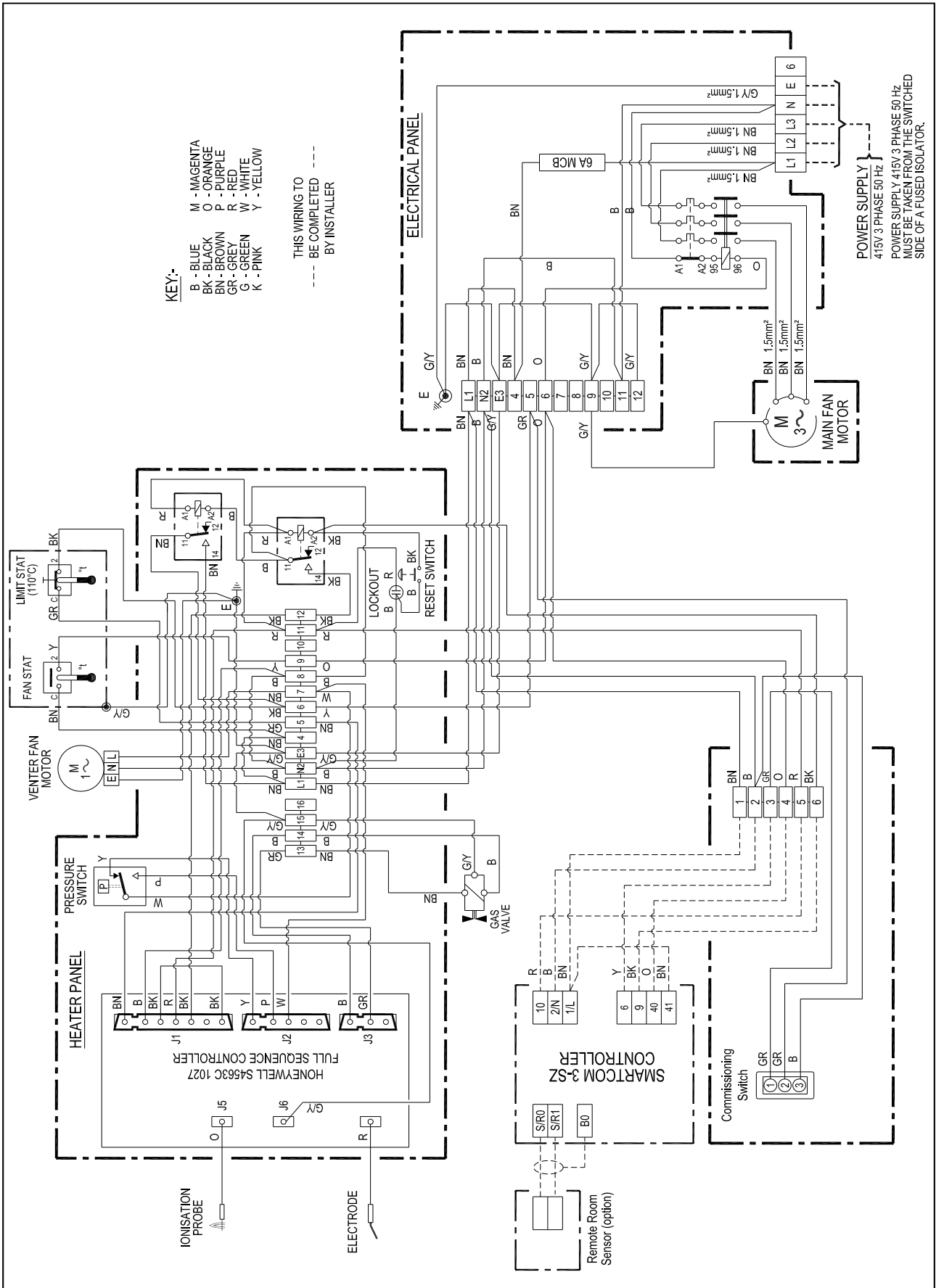
Wiring Diagram 33-66-543
PV 72-145 ON/OFF Auto Ignition
SC³-SZ 230/50/1ph (Remote SmartCom Controller)



Wiring Diagram 33-66-544

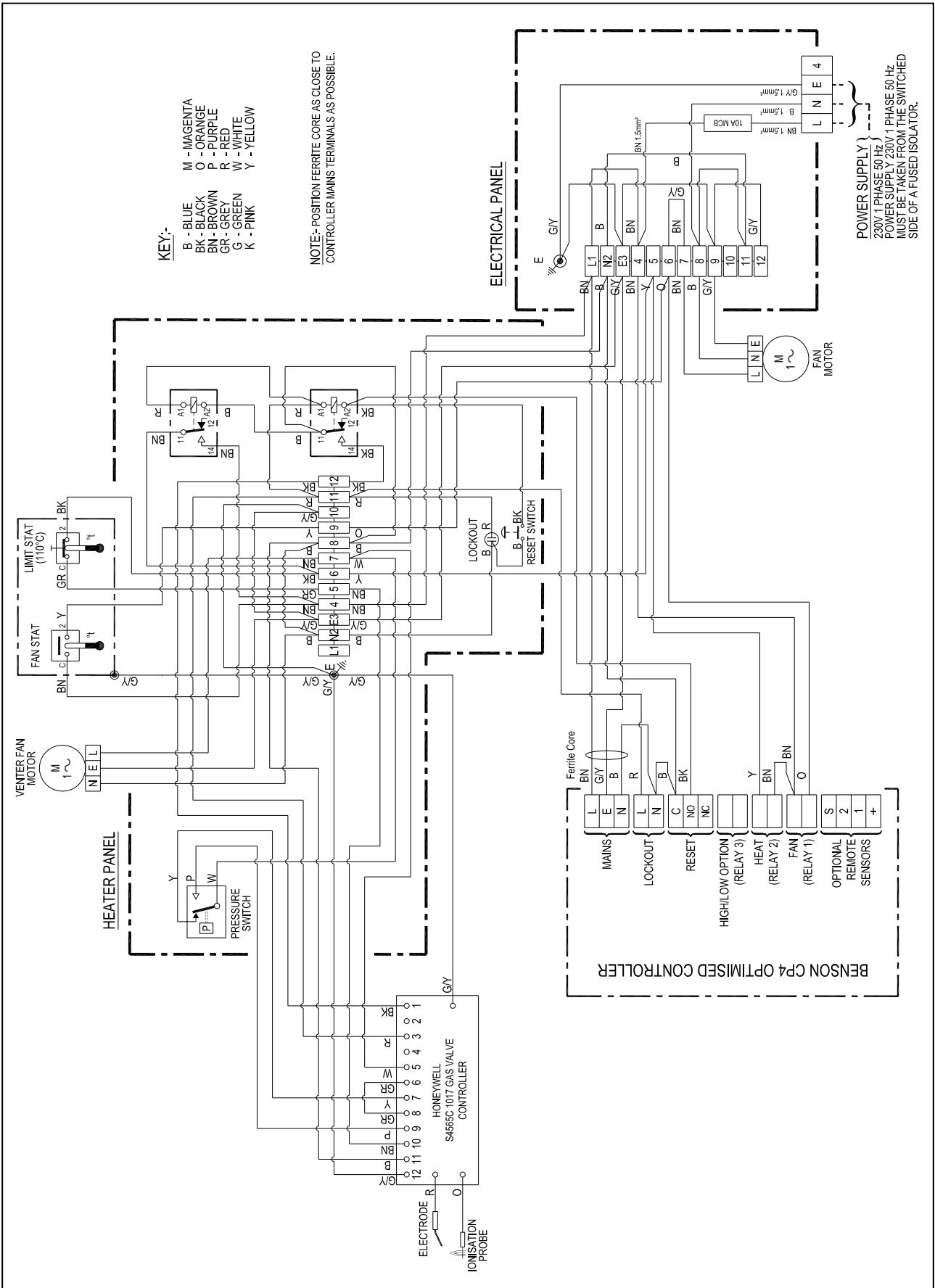
PV 72-145 ON/OFF Auto Ignition

SC³-SZ 415/50/3ph (Remote SmartCom Controller)



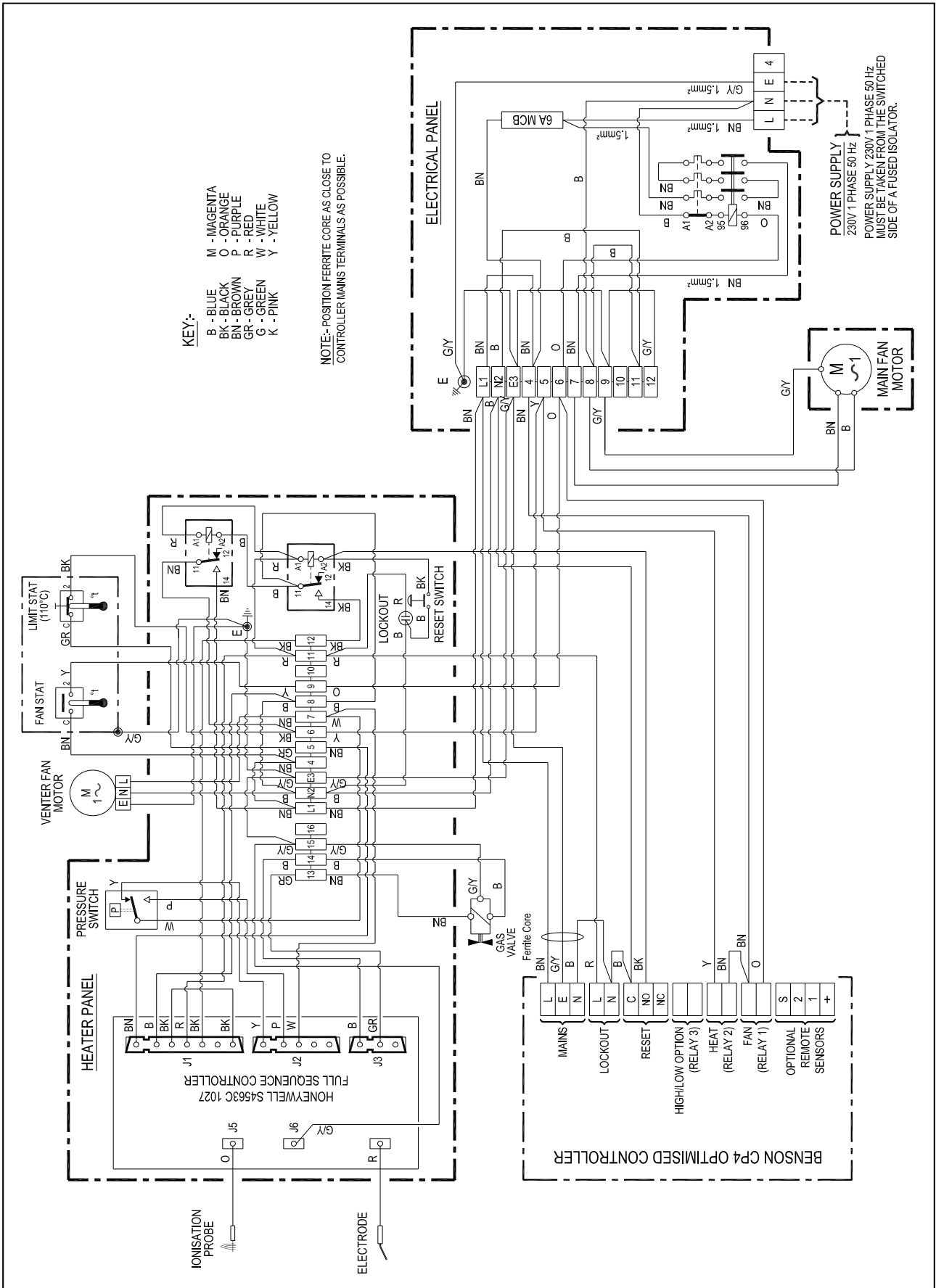
Wiring Diagram 33-66-536

PV 30-50 ON/OFF Auto Ignition
CP4 230/50/1ph (Integral CP4 Controller)

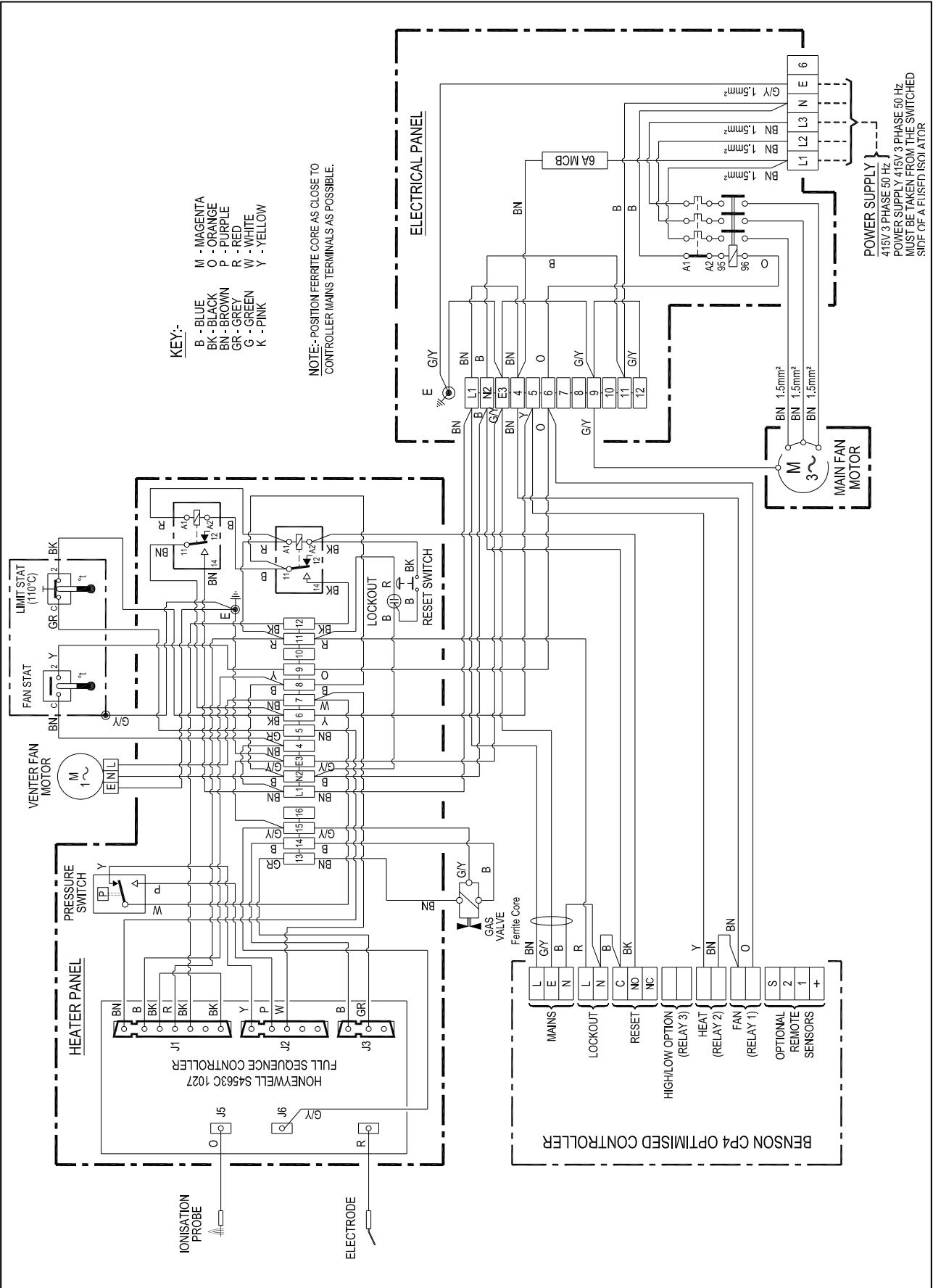


PV 72-145 ON/OFF Auto Ignition

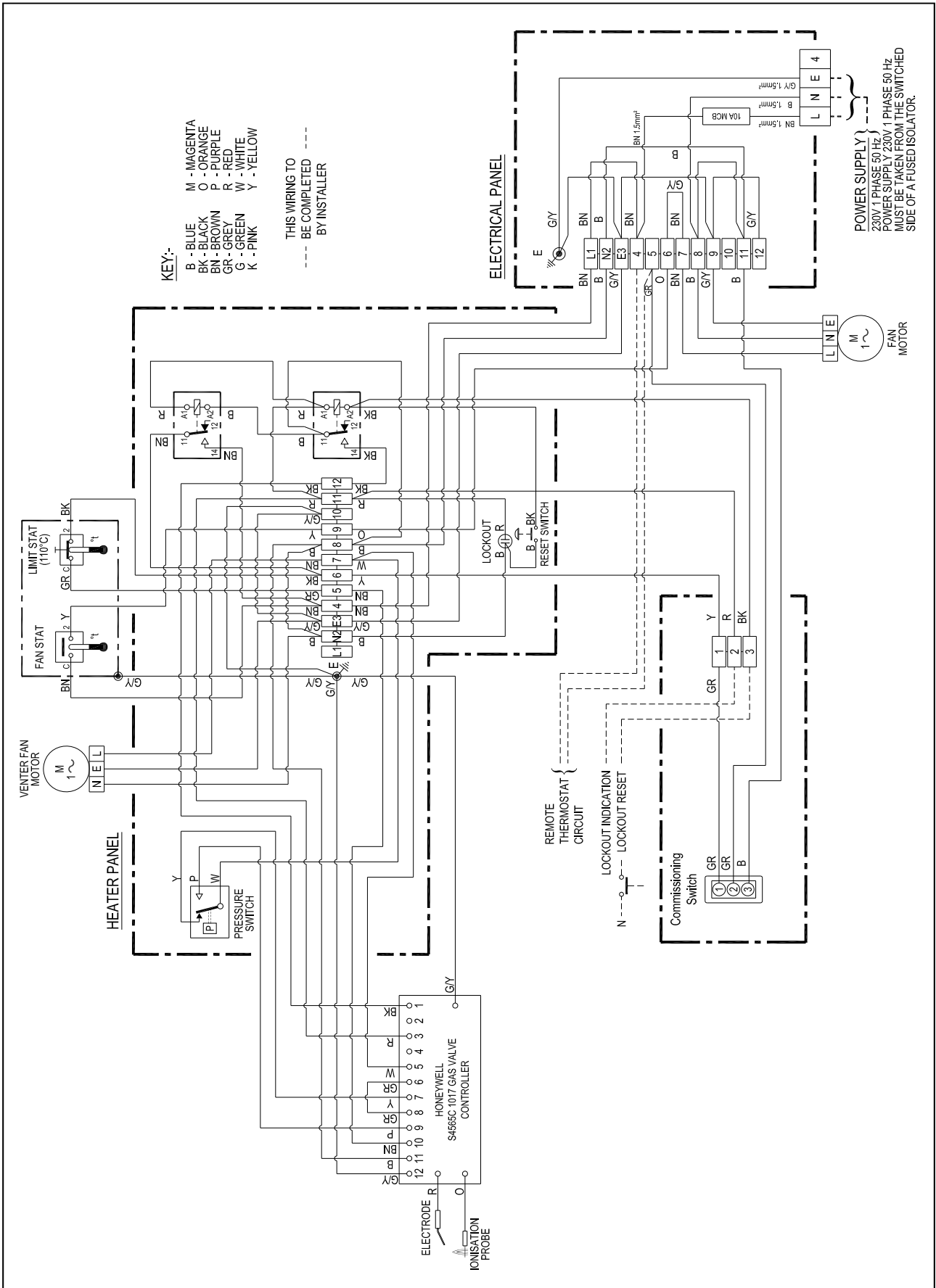
CP4 230/50/1ph (Integral CP4 Controller)



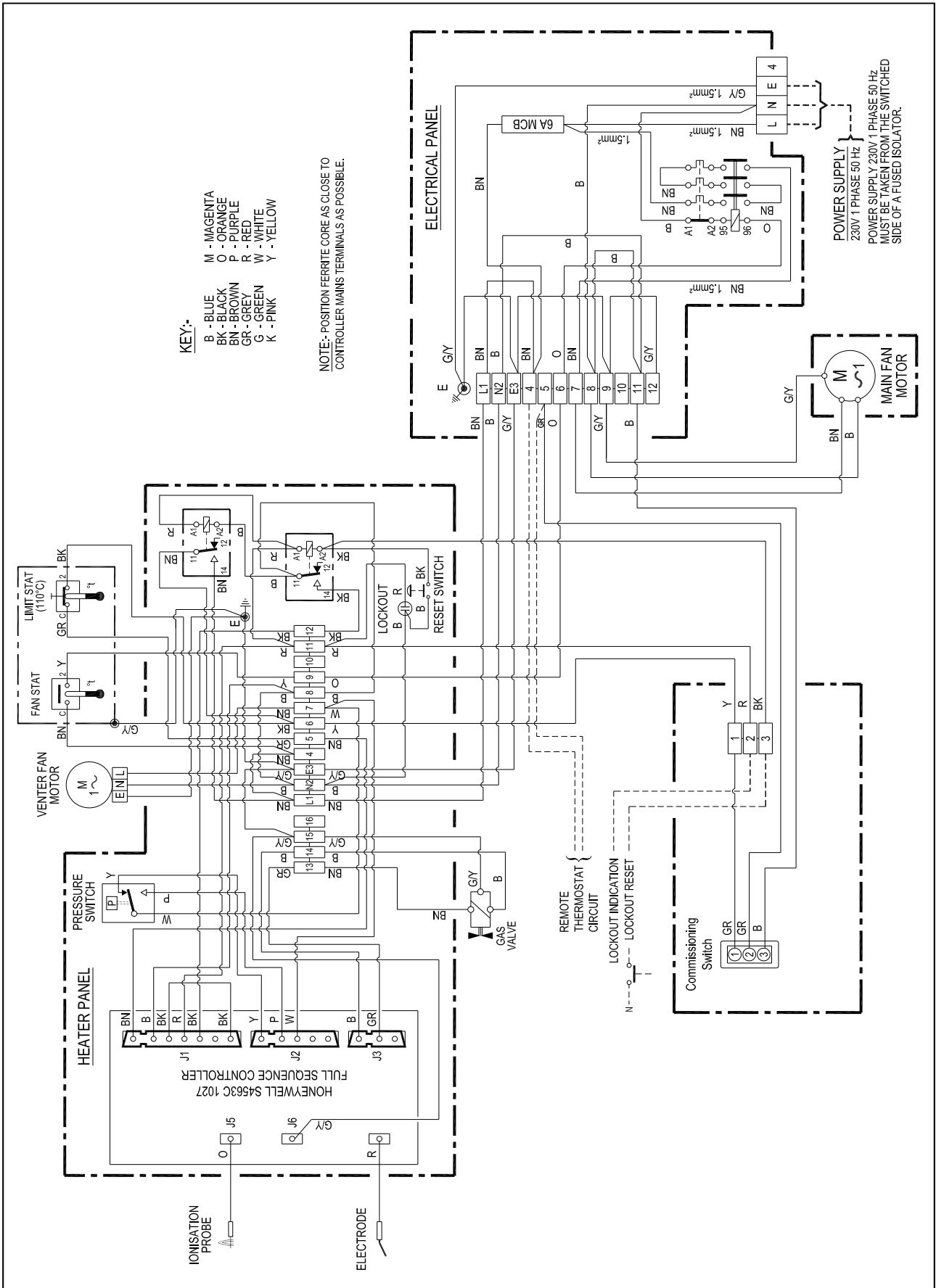
Wiring Diagram 33-66-538
PV 72-145 ON/OFF Auto Ignition
CP4 415/50/3ph (Integral CP4 Controller)



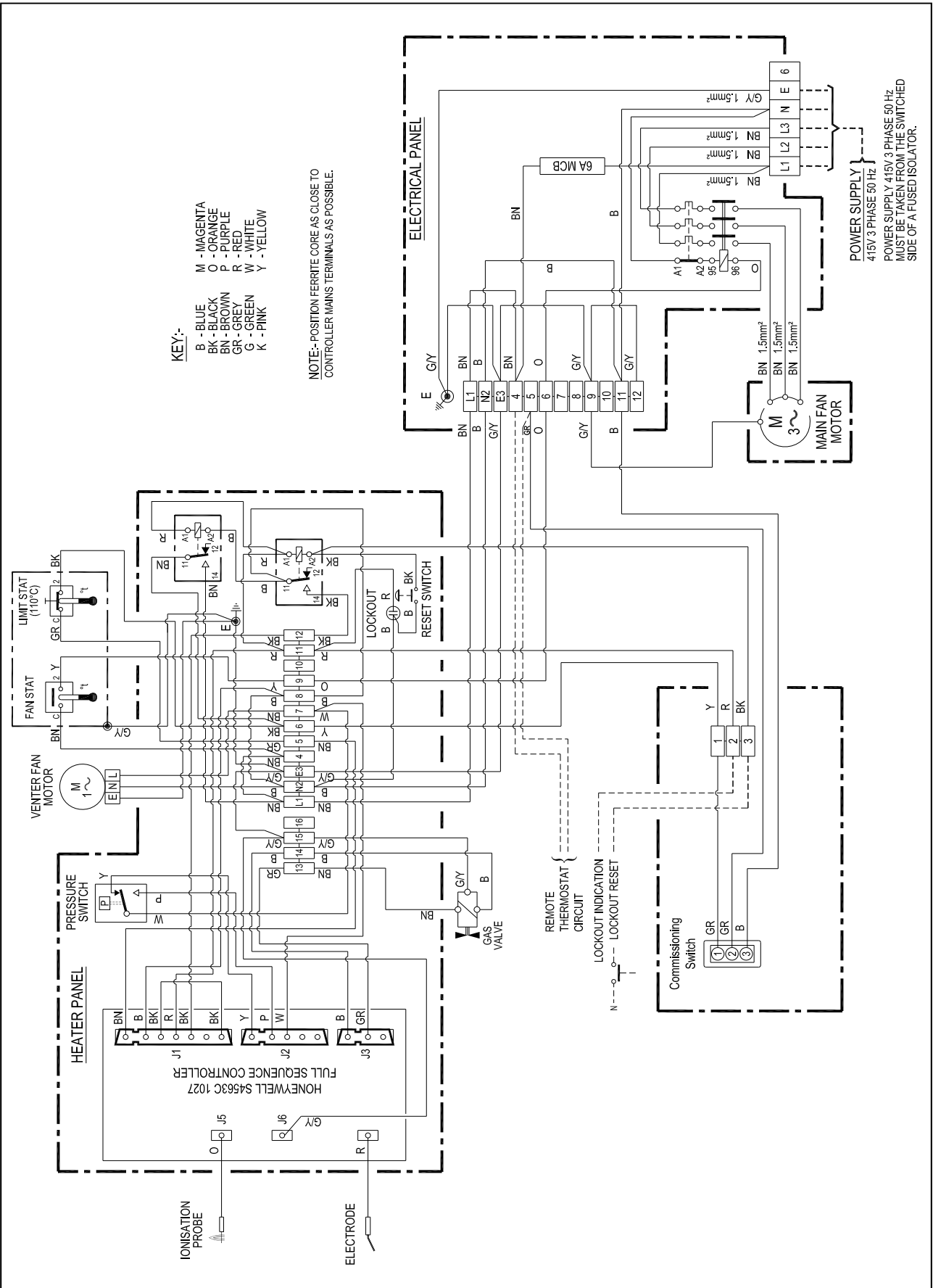
Wiring Diagram 33-66-548
PV 30-50 ON/OFF Auto Ignition
Less Controls 230/50/1ph (No Controller)



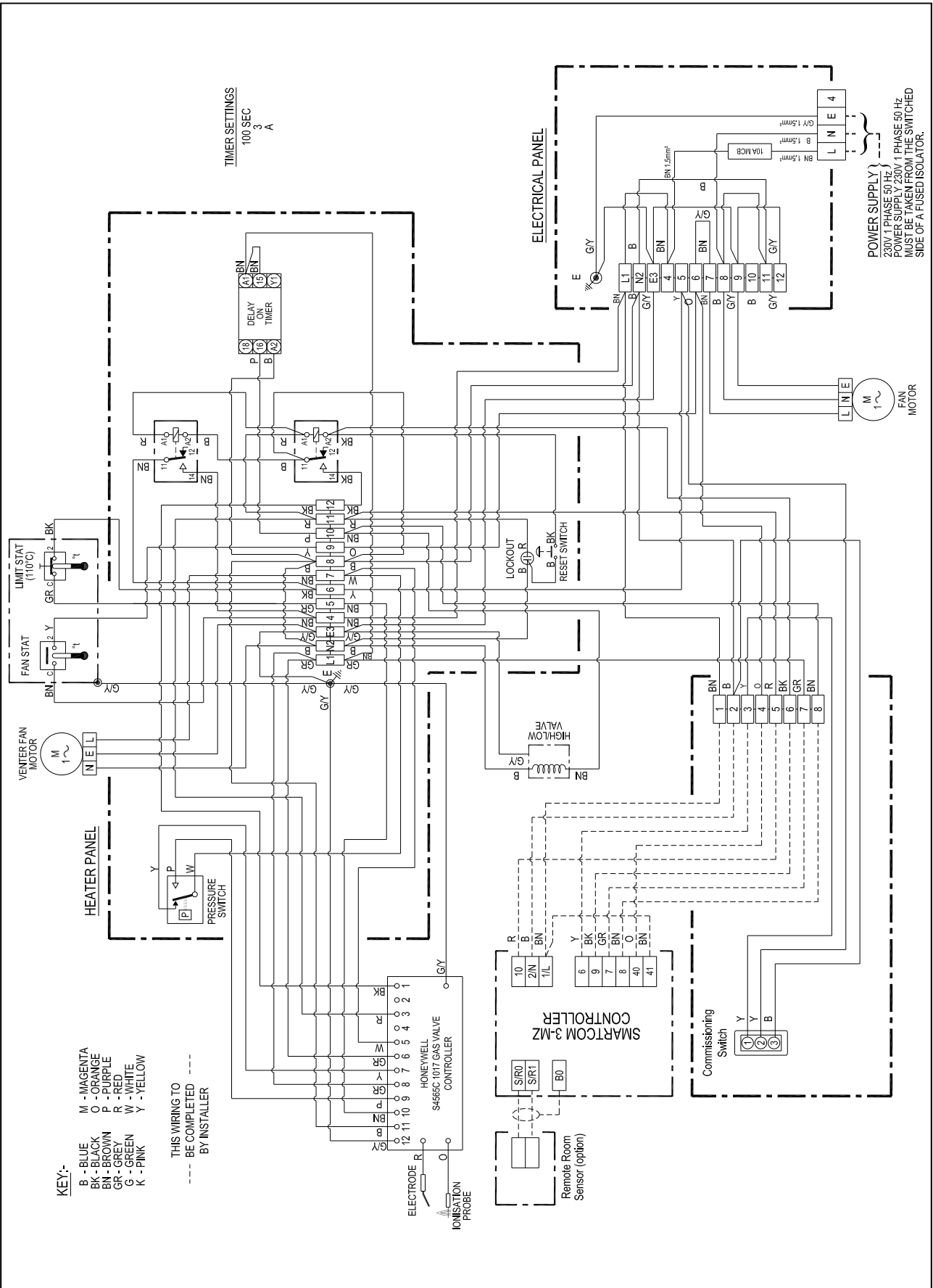
Wiring Diagram 33-66-549
PV 72-145 ON/OFF Auto Ignition
Less Controls 230/50/1ph (No Controller)



Wiring Diagram 33-66-550
PV 72-145 ON/OFF Auto Ignition
Less Controls 415/50/3ph (No Controller)



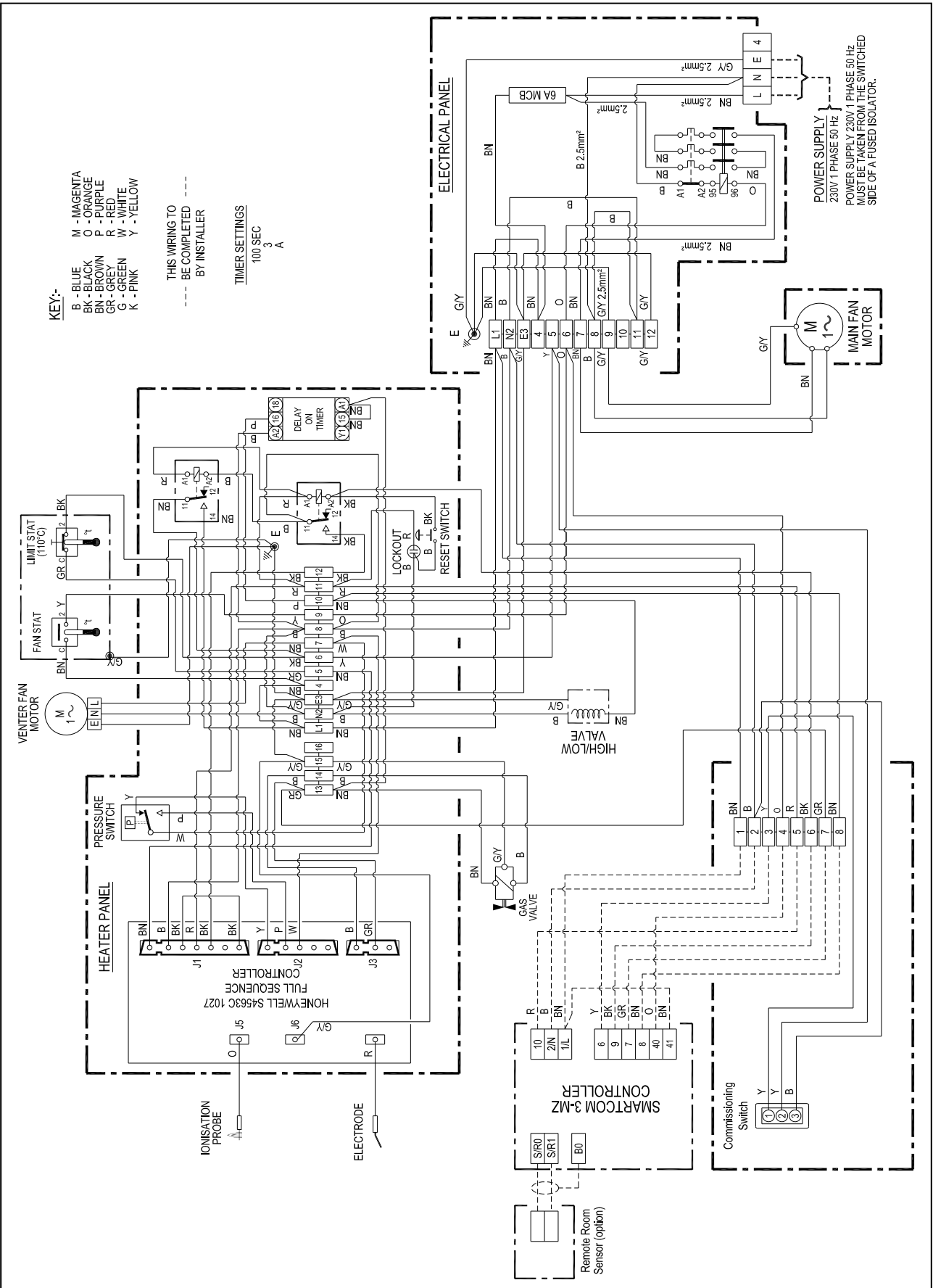
Wiring Diagram 33-66-545
PV 30-50 HI/LOW Auto Ignition
SC³-MZ 230/50/1ph (Remote SmartCom Controller)



Wiring Diagram 33-66-546

PV 72-145 HI/LOW Auto Ignition

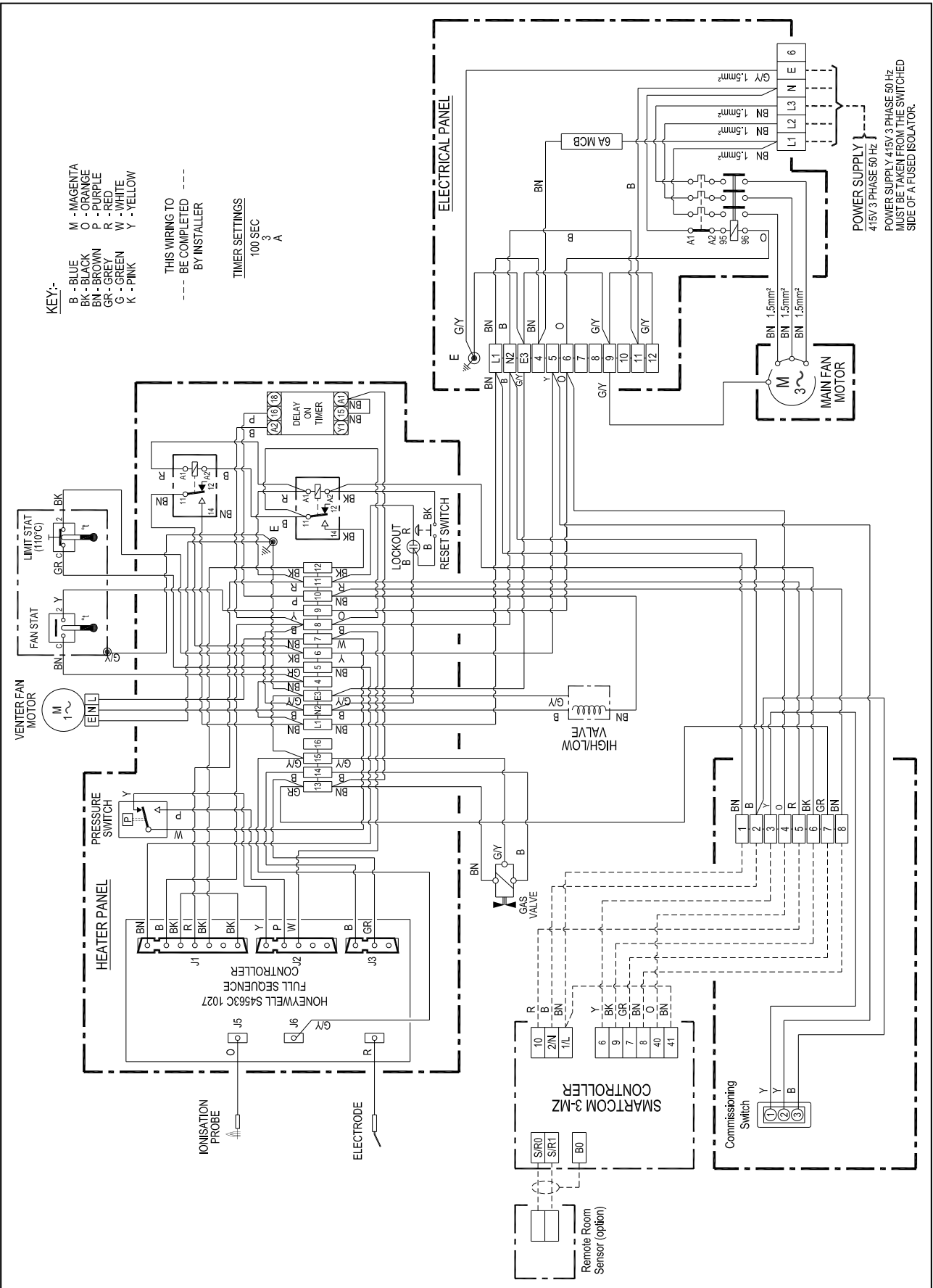
SC³-MZ 230/50/1ph (Remote SmartCom Controller)



Wiring Diagram 33-66-547

PV 72-145 HI/LOW Auto Ignition

SC³-MZ 415/50/3ph (Remote SmartCom Controller)



AmbiRad Group

Heating and Ventilation Solutions

Technical Support:

Tel: **01384 489 200**

Fax: **01384 489 707**

ambiradgroupsupport@tnb.com
www.ambiradgroup.co.uk

AMBIRAD AIRBLOC NORDAIRNICHE BENSON

A Thomas & Betts Company. Registered in England No. 1390934. Registered office: 27/28 East Castle Street, London.

AmbiRad UK is a registered trademark of AmbiRad Limited. Because of continuous product innovation, AmbiRad reserves the right to change product specification without due notice.