

Destratification fan

Benson DS

DS3-2, DS4-2, DS6-2, DS8-2, DS10-2



This appliance meets the following EC Directives
DIR 2006/42/EC : MD

INSTALLATION - COMMISSIONING - SERVICING - USER INSTRUCTIONS

INDEX	Section
Technical Information -----	2
Dimensions -----	2
General Information -----	2
Tools Required -----	3
Step-by-step Instructions -----	3

WARNINGS

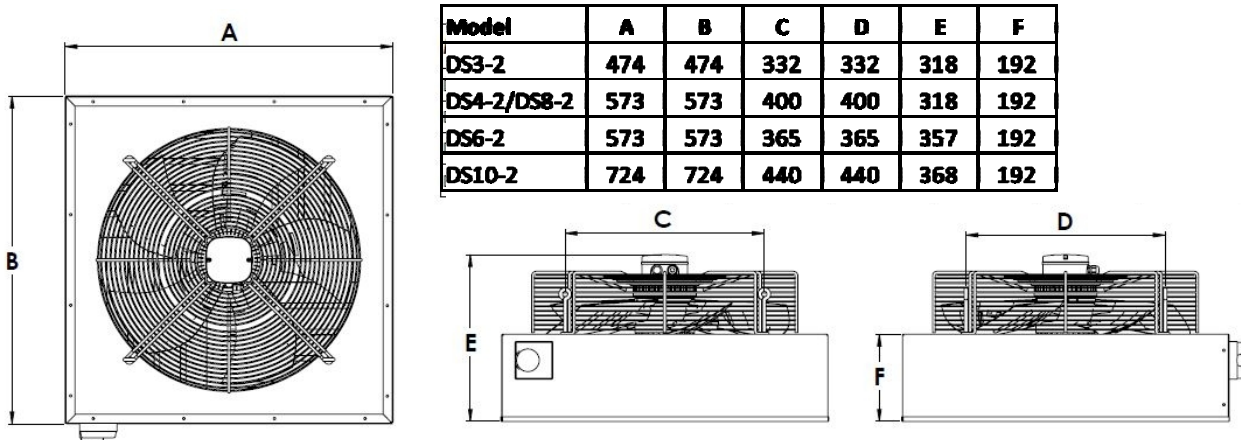
All installations should be in accordance with the relevant requirements of Building Regulations, Local Authority Byelaws and I.E.E. Regulations and

Technical Information.

		DS3-2	DS4-2	DS6-2	DS8-2	DS10-2
Mounting Height	m	4 - 8	6 - 12	6 - 12	10 - 18	10 - 18
Approx Mounting Centres ¹	m	13 - 16	15 - 20	15 - 20	16 - 21	17 - 23
Air Volume	m ³ /h	3000	4250	6500	7650	11000
	c.f.m	1765	2500	3826	4500	6475
Maximum Throw	m	8	12	12	18	18
Velocity	m/s	3.77	3.63	4.72	6.53	5.73
Electrical Supply	230V 50Hz 1Pha					
Motor Size	W	108	165	250	380	520
Operating Current	A	0.52	0.75	1.15	1.75	2.40
Starting Current	A	1.5	1.9	2.4	6.0	6.7
Fuse Rating	A	6	6	6	10	10
Thermostatic Control	Included					
Net Weight	kg	15	21	19	21	27
Sound Pressure Level ²	Lp db (A)	44	48	54	57	59

Notes: ¹ Mounting centres based on mounting height. (i.e. the lower the unit, the further they are apart.) ² $r=5m/Q=1/A=160m^2$.

Dimensions.



General information.

Benson destratification fans are a self contained unit incorporating adjustable four way louvre discharge, a high efficiency axial fan and an integral pre-wired thermostat mounted on the side of the unit.

Care should be taken to ensure that the unit is not sited in areas where it would be undesirable to recirculate high level air because of fumes, etc., or where corrosive atmospheres may attack the fan unit.

To obtain maximum benefit, destratification fans should be sited in the higher part of the building, close to the apex, approximately one metre below the peak.

Fans located over heat generating machinery or lighting maximise the benefits of 'free heat' whilst fans positioned close to doorways help to quickly restore comfortable conditions after door operation.

Fans should not be sited adjacent to large expanses of wall or roof glazing, or in close proximity to open flued heater units, as the airflow could adversely affect flue performance.

The destratification fan is equipped with four eyebolt suspension points, one on each corner, and may be suspended from these using chains or wires.

Each destratification fan is equipped with a cable gland mains input positioned on the terminal box on top of the main fan. Each unit will require a 230V 50Hz 1ph fused supply to operate.

For safety and maintenance purposes, each fan should be fitted with an isolator located adjacent to the unit.

The information contained in this technical bulletin is designed to aid a qualified or competent service technician in the instruction it is intended for.

Tools required.

The following tools and equipment will be required to complete this task:


1. Lengths of chain or suspension wire, accessories, and relevant tools.
2. Length of 3 core 1.0mm² cable.
3. Wire strippers/cutters.
4. Electrical screwdriver.
5. Multi-meter.

Step by step instructions.

CAUTION — HEAVY ITEM!

The destratification fan is equipped with four suspension points, one on each corner. These take the form of an eyebolt. Using either chain or wire rope, connect each point to a rigid construction i.e. Unistrut, girders etc.

Ensure the framework is adequate to take the weight of the particular destratification unit.

 Once the destratification fan is in position, the wiring can commence.

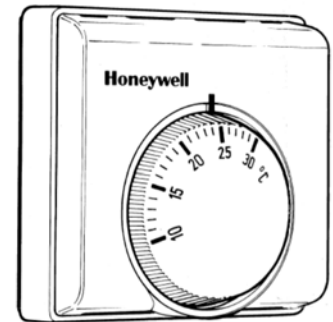
The destratification fan is despatched in a cardboard box. Remove component from box.

Adjust all outlet louvres to achieve desired air distribution and ensure blades are not resonating.

Turn the power/spur on.

The destratification fan will now operate and automatically switch off when the set temperature has been reached.

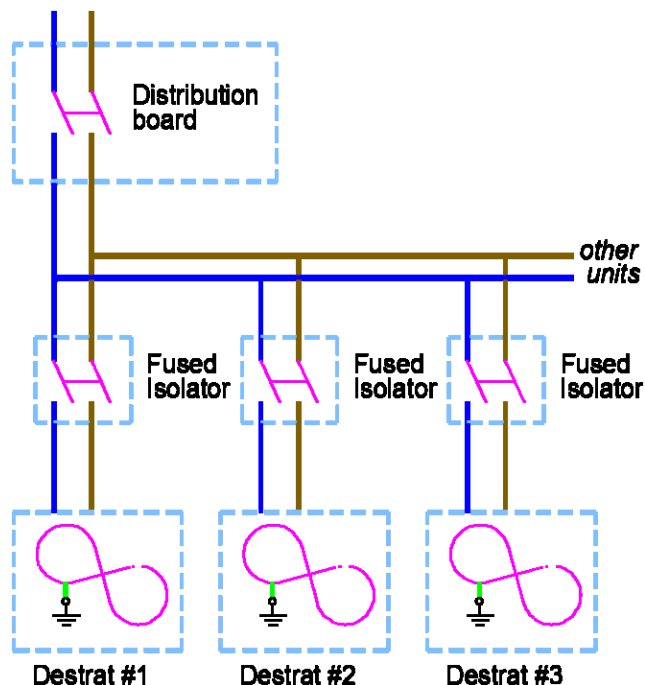
To check operation of the DS type unit, rotate room stat dial to min setting - fan should operate. Rotate room stat dial to max setting - the fan should turn off. Finally turn the room stat to approximately 2° to 3° above the desired room temperature.



The unit is now ready for operation.

Wiring details.

Typical schematic wiring destrat. fans





Registered in England No. 1390934. Registered office: 10 Norwich Street, London, EC4A 1BD

Nortek Global HVAC is a registered trademark of Nortek Global HVAC Limited. Because of continuous product innovation, Nortek Global HVAC reserves the right to change product specification without due notice.

Nortek Global HVAC (UK) Ltd
Fens Pool Avenue
Brierley Hill
West Midlands DY5 1QA
United Kingdom

Tel: 01384 489250

Fax: 01384 489707

ambiradsales@nortek.com

www.ambirad.co.uk

Document reference number: 03.01.2017 issue 1
Replaces