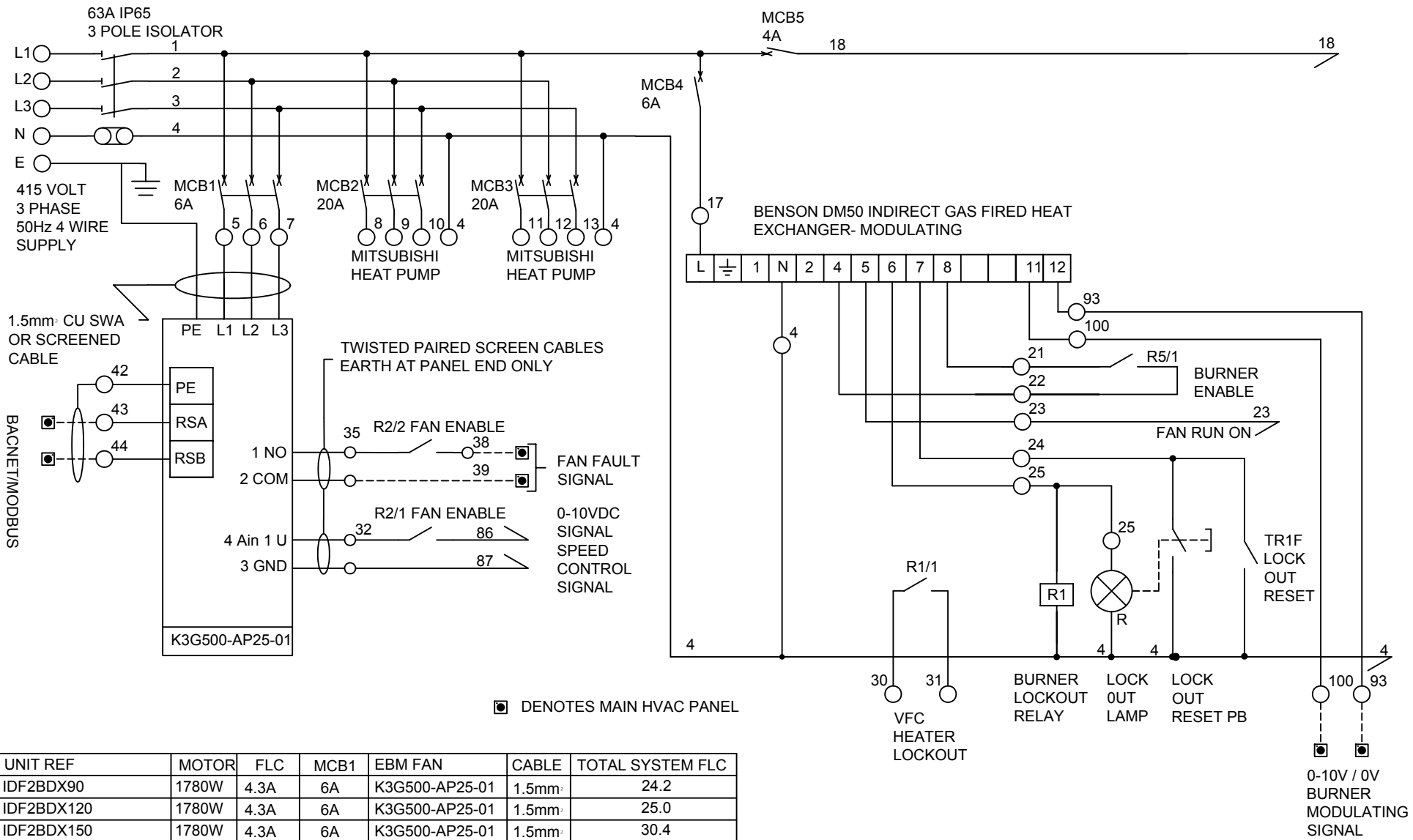


**INDIRECT FIRED AIR HEATER
ELECTRICAL WIRING MANUAL
INCLUDING EBM FAN & MODULATING BURNER (BENSON)**



■ DENOTES MAIN HVAC PANEL

UNIT REF	MOTOR	FLC	MCB1	EBM FAN	CABLE	TOTAL SYSTEM FLC
IDF2BDX90	1780W	4.3A	6A	K3G500-AP25-01	1.5mm	24.2
IDF2BDX120	1780W	4.3A	6A	K3G500-AP25-01	1.5mm	25.0
IDF2BDX150	1780W	4.3A	6A	K3G500-AP25-01	1.5mm	30.4

REV	DATE	DESCRIPTION

Wiring Colour Scheme
 Phases.....: **Black**
 Control 230V.....: **Red**
 Neutral.....: **Light Blue**
 24 VAC.....: **Violet**
 24 VAC Ground.: **White**
 24 VDC.....: **Dark Blue**
 0-10 VDC.....: **Orange**
 Analogue Inputs: **Grey**

TITLE
 SCHEMATIC WIRING DIAGRAM McDONALDS
 IDF2BDX90, 120, 150(EBM)MOD UNIT

CLIENT
 McDONALDS STANDARD

DRAWN
 JC

DATE
 25/01/2012

CHECKED
 SH

APPROVED

NORDAIRNICHE

JOB No
 STD

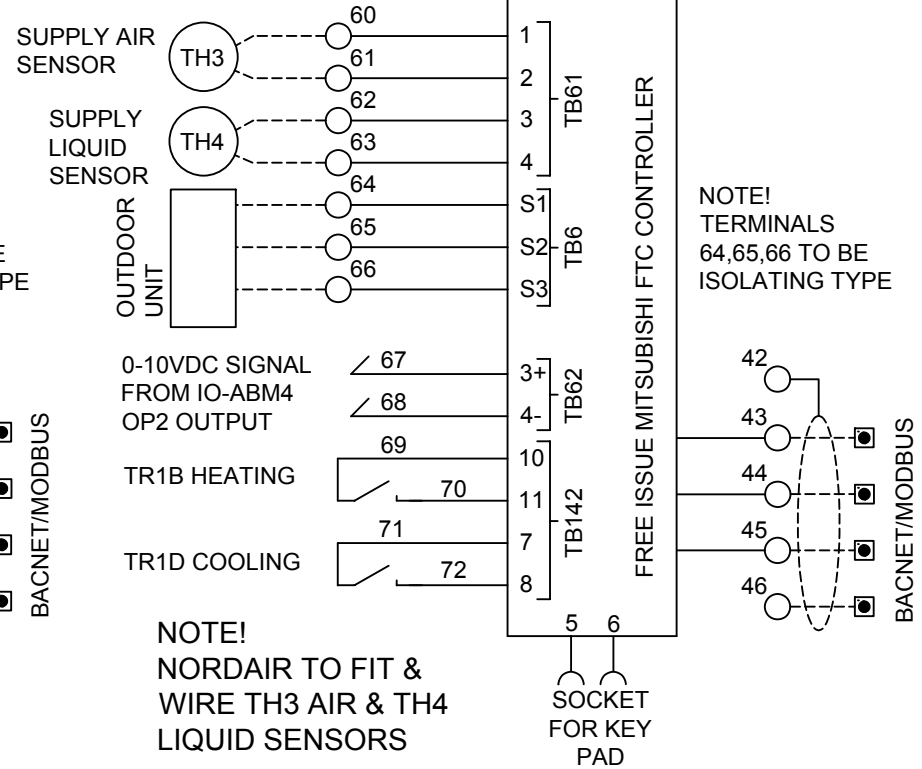
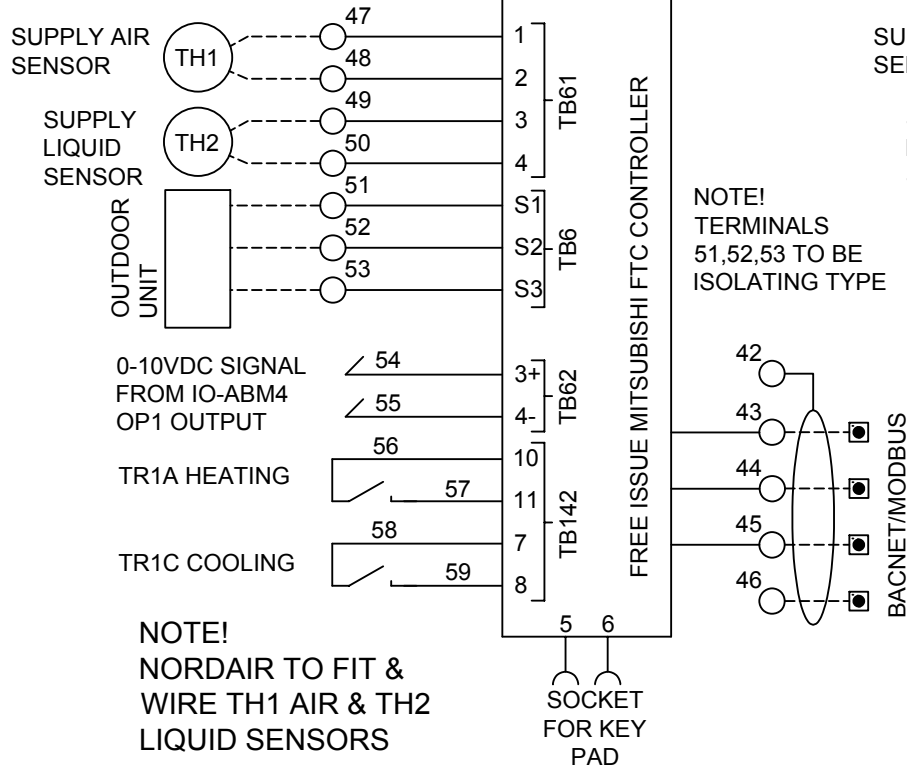
DRAWING No
 IDF2BDX90,120,150(EBM)MOD

REVISION

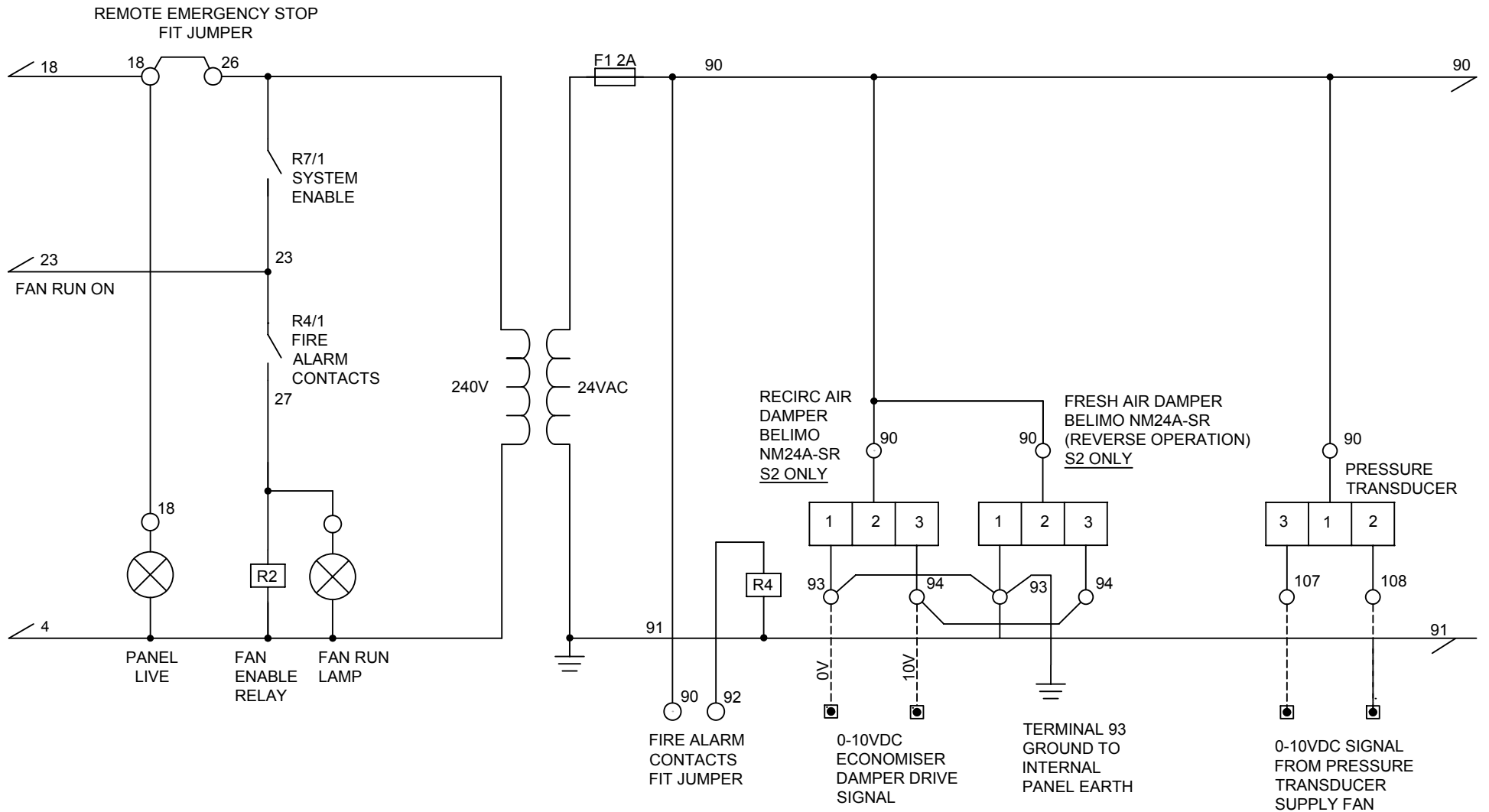
SHEET
 1 of 5

FTC 1 POWER FEED
VIA OUTDOOR UNIT

FTC 2 POWER FEED
VIA OUTDOOR UNIT



		REV	DATE	DESCRIPTION
Wiring Colour Scheme Phases.....: Black Control 230V.....: Red Neutral.....: Light Blue 24 VAC.....: Violet 24 VAC Ground.: White 24 VDC.....: Dark Blue 0-10 VDC.....: Orange Analogue Inputs: Grey	TITLE	DRAWN	JC	
	SCHEMATIC WIRING DIAGRAM McDONALDS IDF2BDX90, 120, 150(EBM)MOD UNIT	DATE	25/01/2012	
	CLIENT	CHECKED	SH	DRAWING No IDF2BDX90,120,150(EBM)MOD
	McDONALDS STANDARD	APPROVED		REVISION SHEET 2 of 5



S2 ONLY

REV	DATE	DESCRIPTION
-----	------	-------------

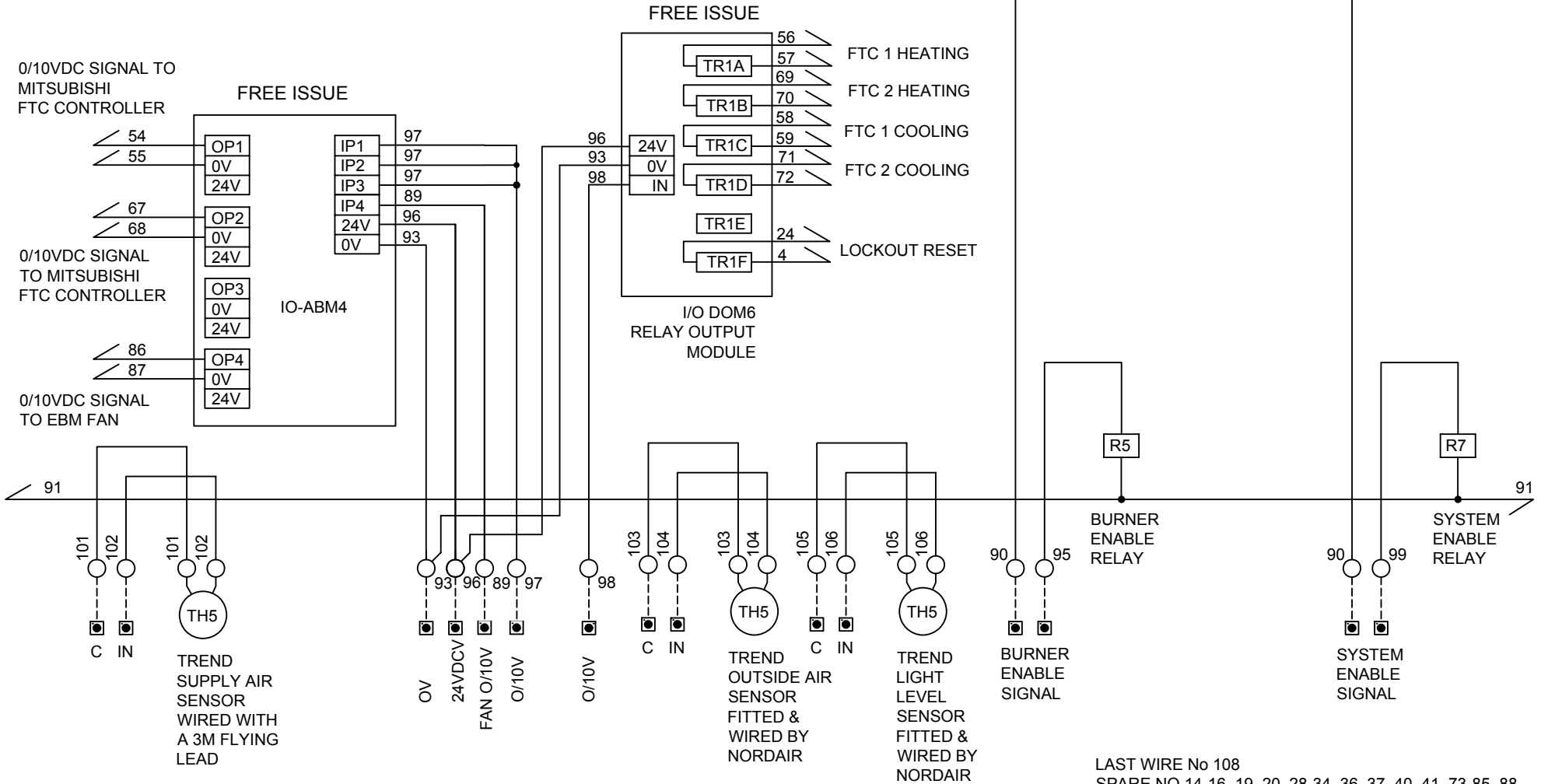
Wiring Colour Scheme
 Phases.....: **Black**
 Control 230V.....: **Red**
 Neutral.....: **Light Blue**
 24 VAC.....: **Violet**
 24 VAC Ground.: **White**
 24 VDC.....: **Dark Blue**
 0-10 VDC.....: **Orange**
 Analogue Inputs: **Grey**

TITLE
 SCHEMATIC WIRING DIAGRAM McDONALDS
 IDF2BDX90, 120, 150(EBM)MOD UNIT

CLIENT
 McDONALDS STANDARD

DRAWN	JC
DATE	25/01/2012
CHECKED	SH
APPROVED	

NORDAIRNICHE	
JOB No	STD
DRAWING No	IDF2BDX90,120,150(EBM)MOD
REVISION	SHEET 3 of 5



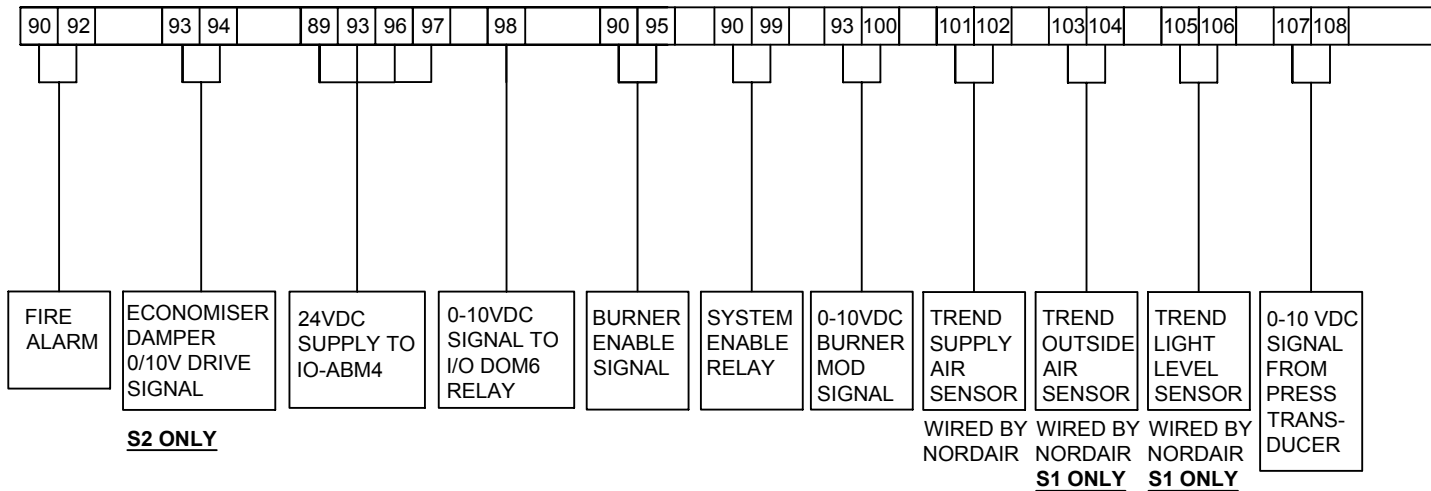
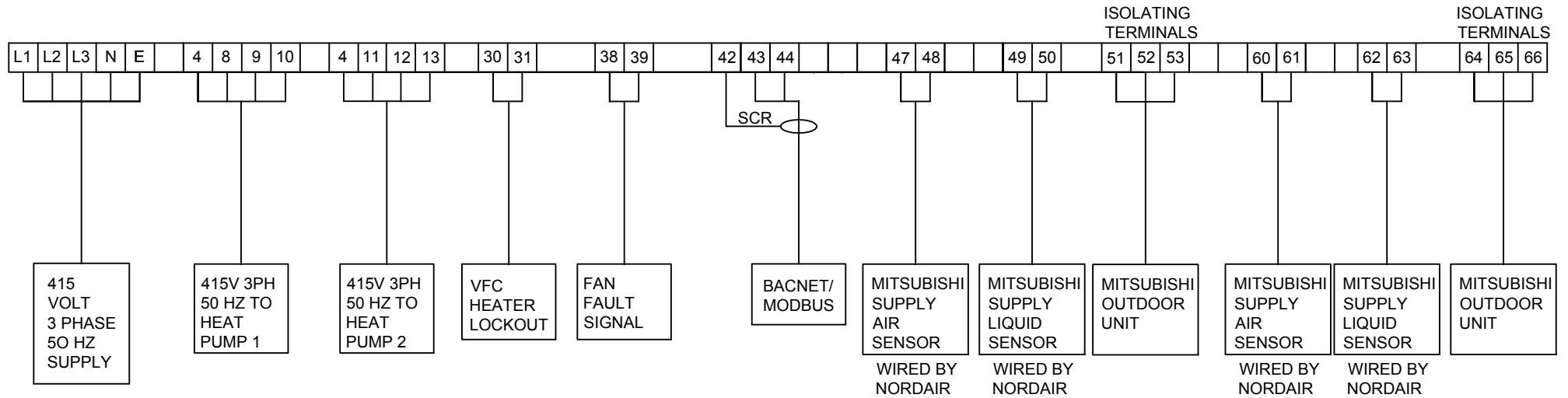
Wiring Colour Scheme
 Phases.....: **Black**
 Control 230V.....: **Red**
 Neutral.....: **Light Blue**
 24 VAC.....: **Violet**
 24 VAC Ground.: **White**
 24 VDC.....: **Dark Blue**
 0-10 VDC.....: **Orange**
 Analogue Inputs: **Grey**

TITLE
 SCHEMATIC WIRING DIAGRAM McDONALDS
 IDF2BDX90, 120, 150(EBM)MOD UNIT

CLIENT
 McDONALDS STANDARD

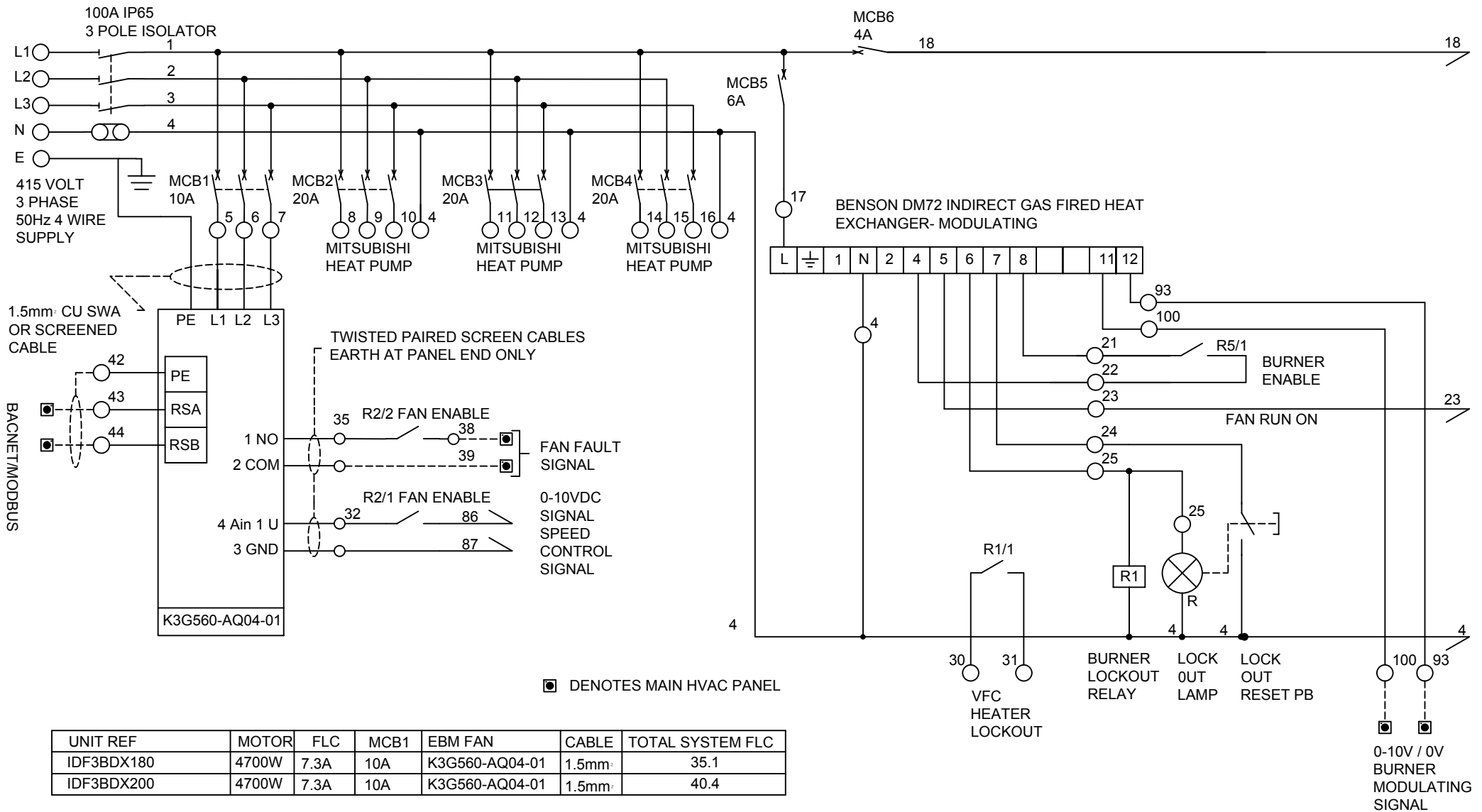
DRAWN	JC
DATE	25/01/2012
CHECKED	SH
APPROVED	

REV	DATE	DESCRIPTION
NORDAIRNICHE		
JOB No		STD
DRAWING No		IDF2BDX90,120,150(EBM)MOD
REVISION	SHEET 4 of 5	



REV	DATE	DESCRIPTION

Wiring Colour Scheme Phases.....: Black Control 230V.....: Red Neutral.....: Light Blue 24 VAC.....: Violet 24 VAC Ground.: White 24 VDC.....: Dark Blue 0-10 VDC.....: Orange Analogue Inputs: Grey	TITLE SCHEMATIC WIRING DIAGRAM McDONALDS IDF2BDX90, 120, 150(EBM)MOD UNIT	DRAWN JC	
	CLIENT McDONALDS STANDARD	DATE 25/01/2012	
		CHECKED SH	DRAWING No IDF2BDX90,120,150(EBM)MOD
	APPROVED	REVISION	SHEET 5 of 5



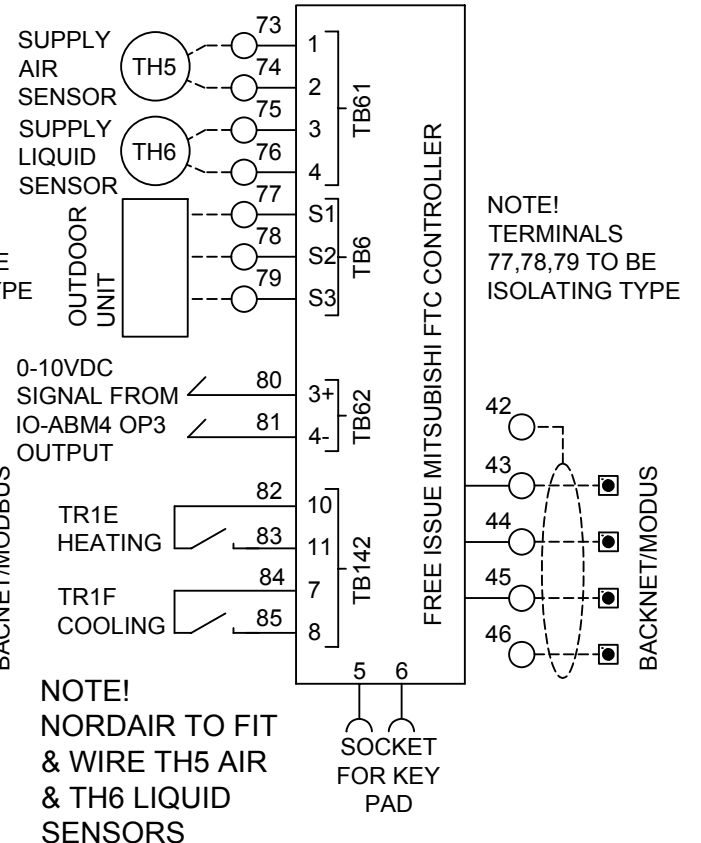
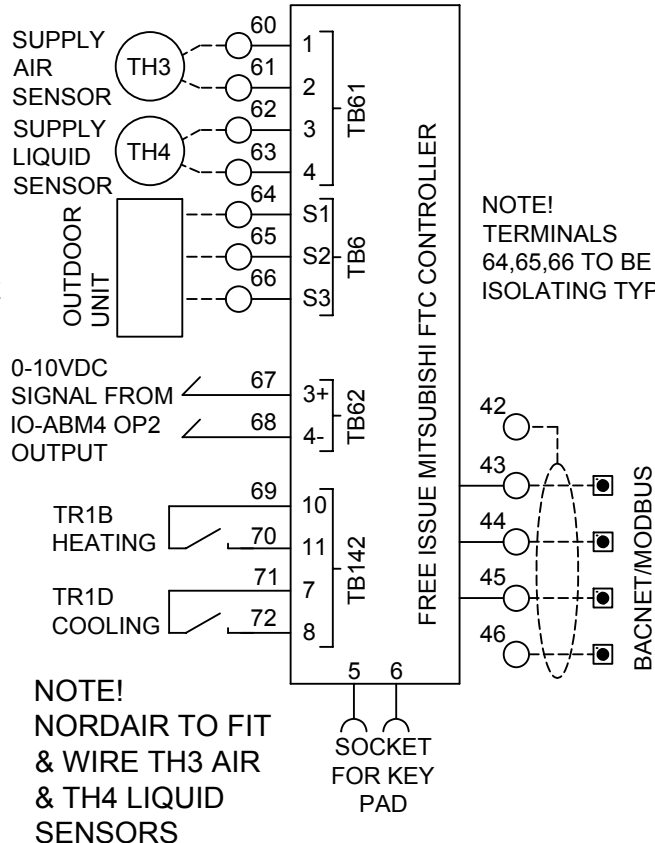
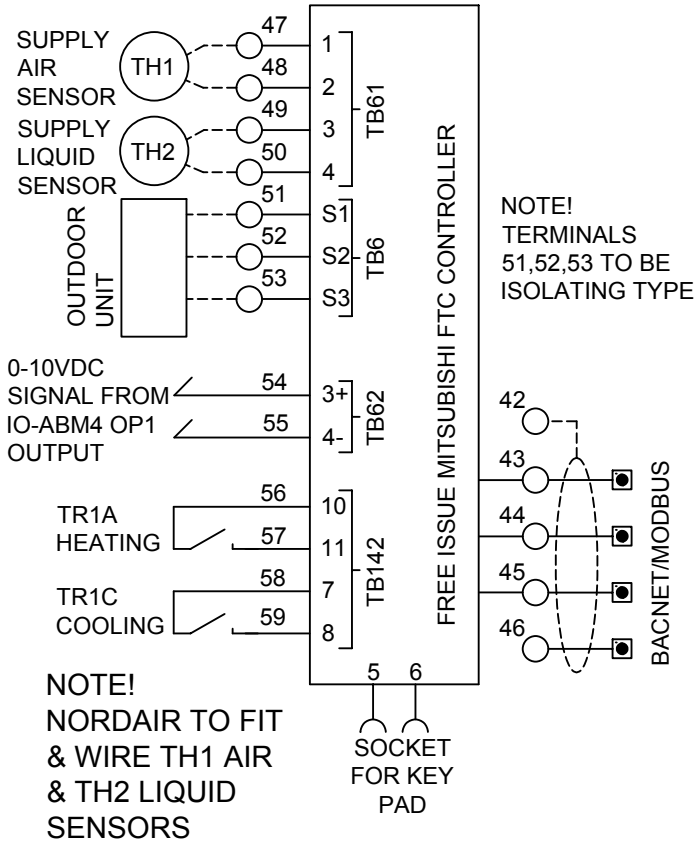
REV	DATE	DESCRIPTION

Wiring Colour Scheme Phases.....: Black Control 230V.....: Red Neutral.....: Light Blue 24 VAC.....: Violet 24 VAC Ground.: White 24 VDC.....: Dark Blue 0-10 VDC.....: Orange Analogue Inputs: Grey	TITLE SCHEMATIC WIRING DIAGRAM McDONALDS IDF3BDX180, 200(EBM)MOD UNIT	DRAWN JC		
	CLIENT McDONALDS STANDARD	DATE 28/01/2013		
	CHECKED SH	DRAWING No IDF3BDX180,200(EBM)MOD	REVISION	SHEET 1 of 5
	APPROVED			

**FTC 1 POWER FEED
VIA OUTDOOR UNIT**

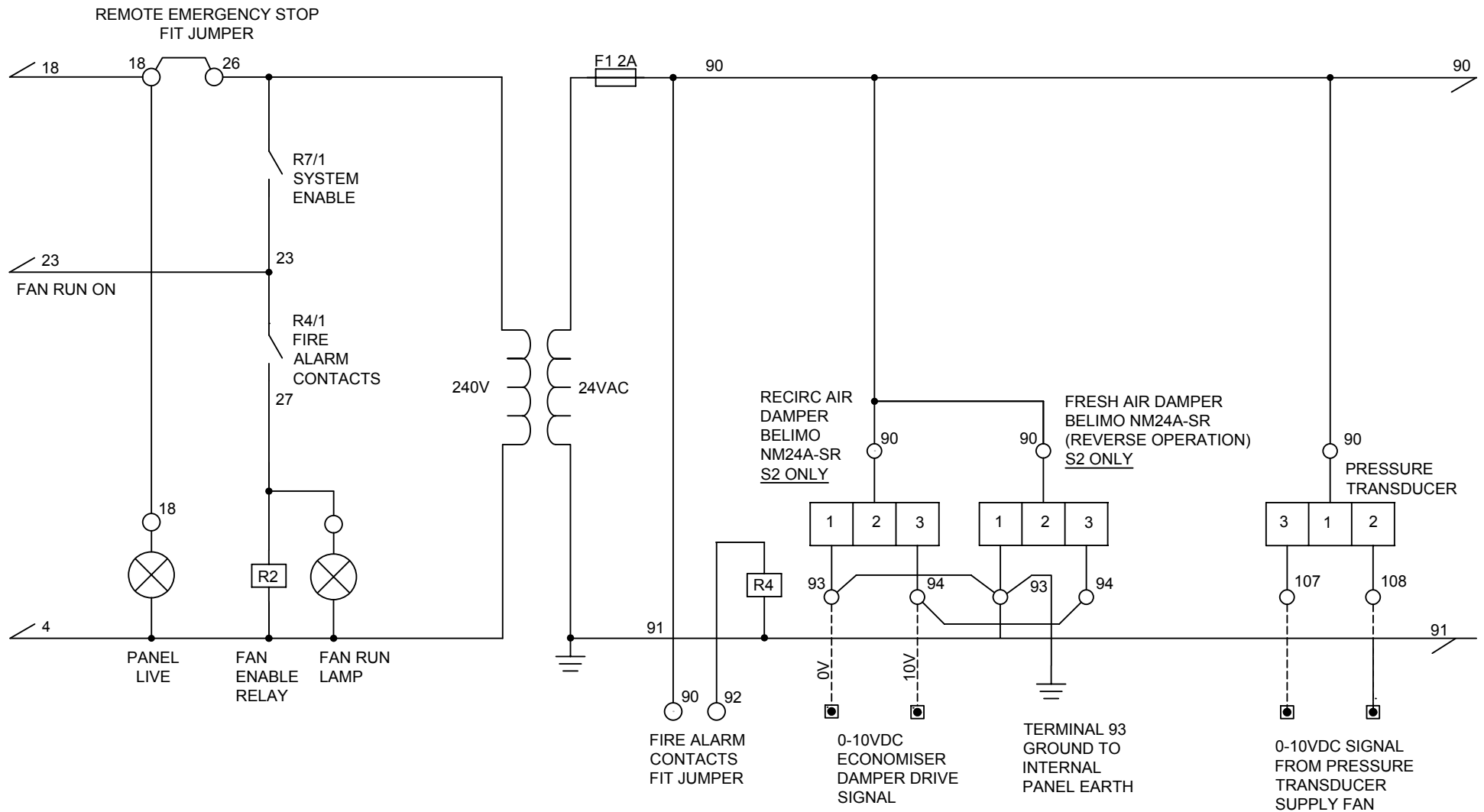
**FTC 2 POWER FEED
VIA OUTDOOR UNIT**

**FTC 3 POWER FEED
VIA OUTDOOR UNIT**



REV	DATE	DESCRIPTION	
		NORDAIRNICHE	
		JOB No	STD
		DRAWING No	IDF3BDX180,200(EBM)MOD
		REVISION	SHEET 2 of 5

Wiring Colour Scheme Phases.....: Black Control 230V.....: Red Neutral.....: Light Blue 24 VAC.....: Violet 24 VAC Ground.: White 24 VDC.....: Dark Blue 0-10 VDC.....: Orange Analogue Inputs: Grey	TITLE SCHEMATIC WIRING DIAGRAM McDONALDS IDF3BDX180, 200(EBM)MOD UNIT	DRAWN JC
	CLIENT McDONALDS STANDARD	DATE 28/01/2013
	CHECKED SH	APPROVED



S2 ONLY

REV	DATE	DESCRIPTION

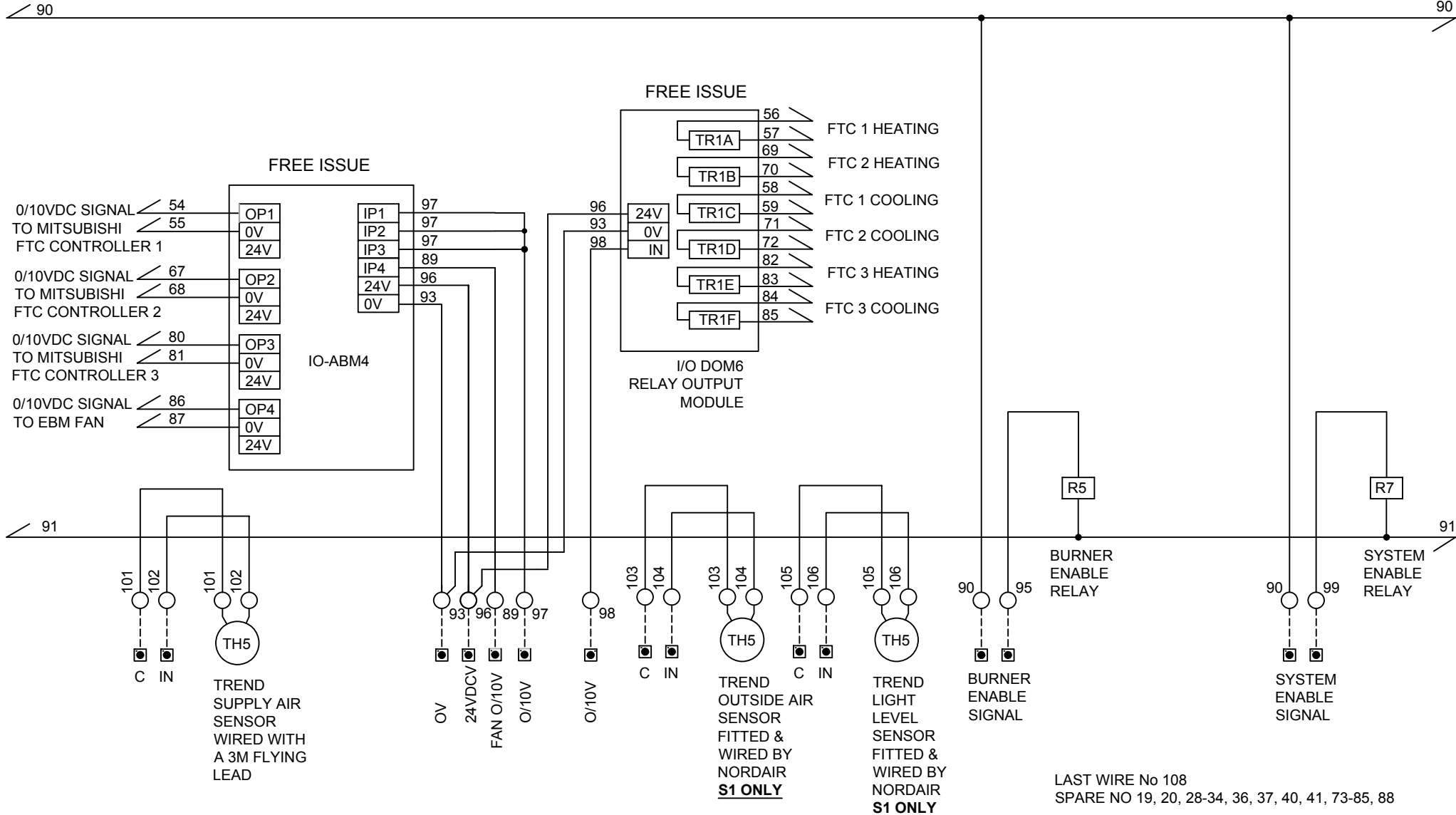
Wiring Colour Scheme
 Phases.....: **Black**
 Control 230V.....: **Red**
 Neutral.....: **Light Blue**
 24 VAC.....: **Violet**
 24 VAC Ground.: **White**
 24 VDC.....: **Dark Blue**
 0-10 VDC.....: **Orange**
 Analogue Inputs: **Grey**

TITLE
 SCHEMATIC WIRING DIAGRAM McDONALDS
 IDF3BDX180, 200(EBM)MOD UNIT

CLIENT
 McDONALDS STANDARD

DRAWN	JC
DATE	28/01/2013
CHECKED	SH
APPROVED	

JOB No	STD
DRAWING No	IDF3BDX180,200(EBM)MOD
REVISION	SHEET
	3 of 5



LAST WIRE No 108
 SPARE NO 19, 20, 28-34, 36, 37, 40, 41, 73-85, 88

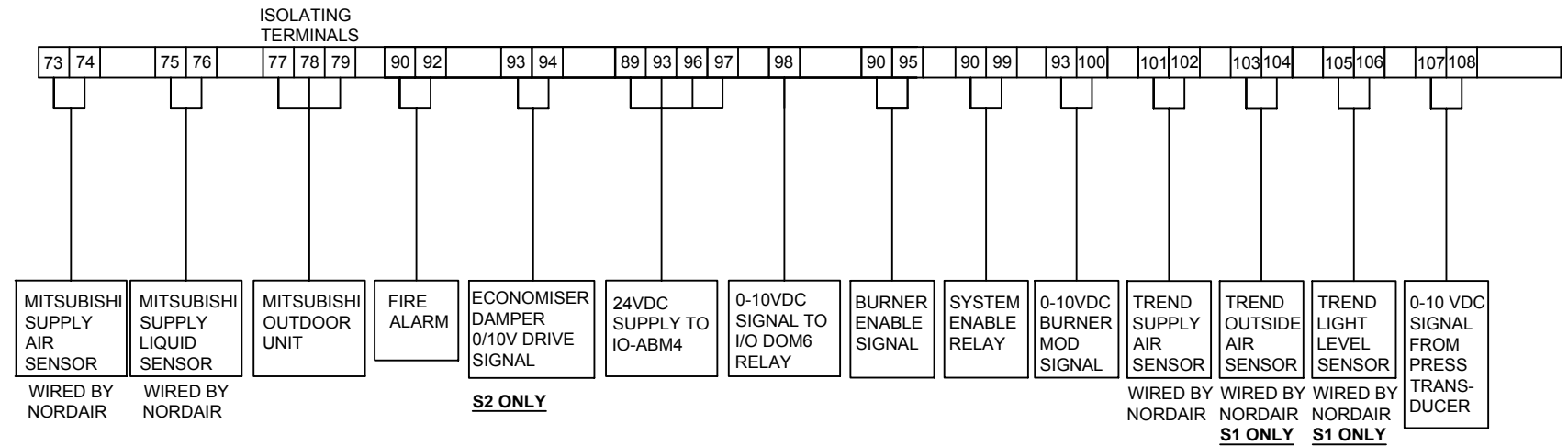
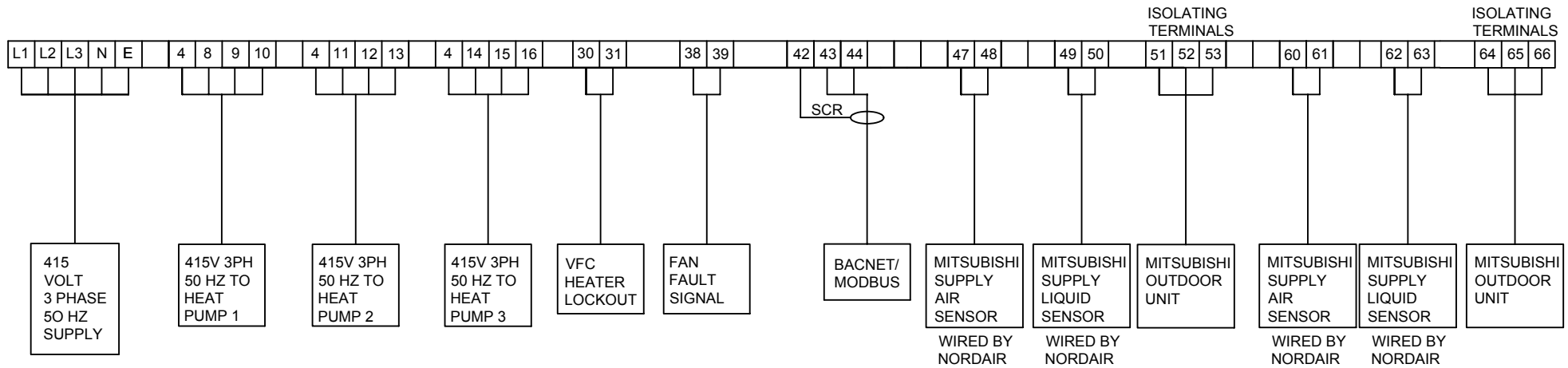
Wiring Colour Scheme
 Phases.....: **Black**
 Control 230V.....: **Red**
 Neutral.....: **Light Blue**
 24 VAC.....: **Violet**
 24 VAC Ground.: **White**
 24 VDC.....: **Dark Blue**
 0-10 VDC.....: **Orange**
 Analogue Inputs: **Grey**

TITLE
 SCHEMATIC WIRING DIAGRAM McDONALDS
 IDF3BDX180, 200(EBM)MOD UNIT

CLIENT
 McDONALDS STANDARD

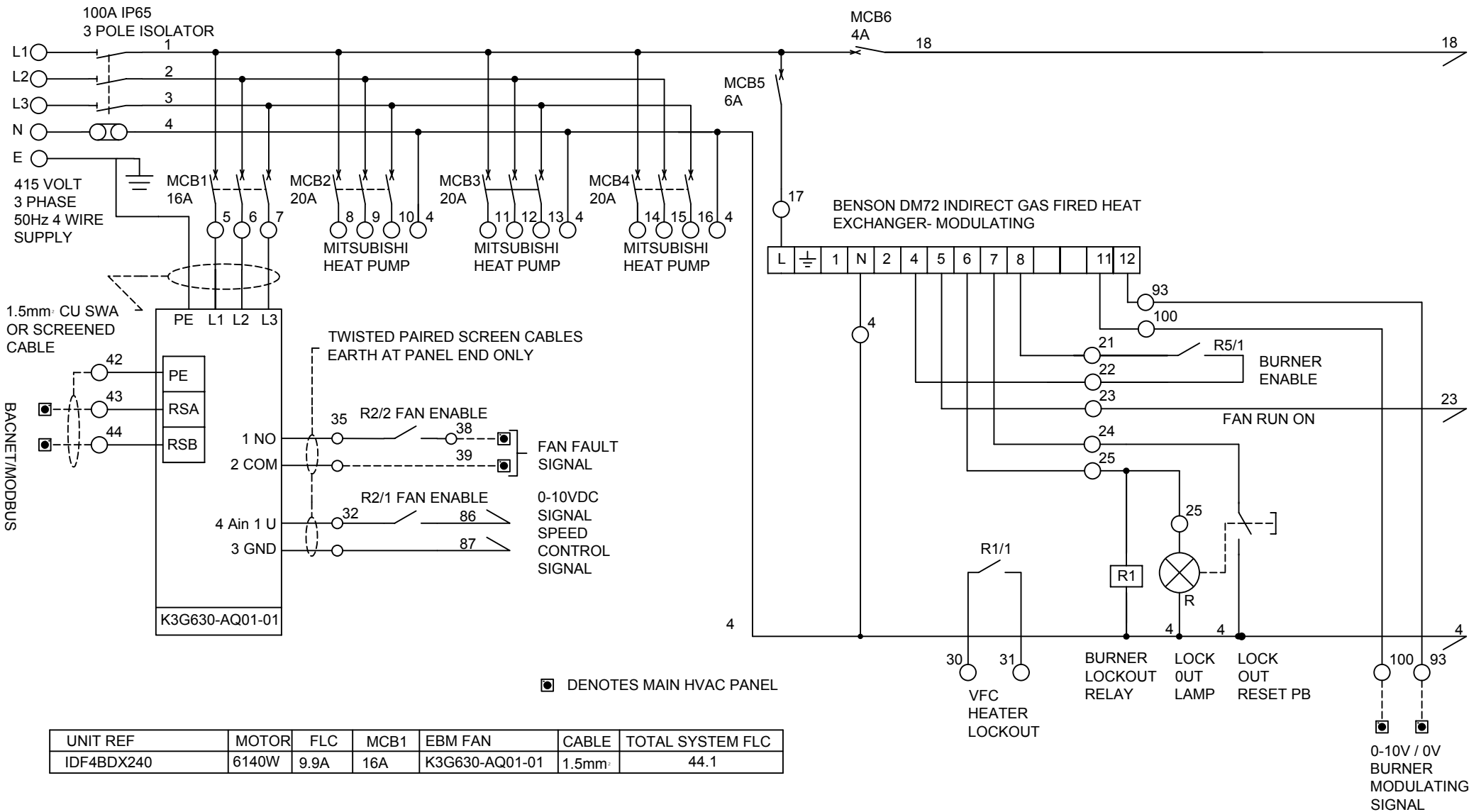
DRAWN	JC
DATE	28/01/2013
CHECKED	SH
APPROVED	

REV	DATE	DESCRIPTION
NORDAIRNICHE		
JOB No		STD
DRAWING No		IDF3BDX180,200(EBM)MOD
REVISION	SHEET 4 of 5	



REV	DATE	DESCRIPTION
-----	------	-------------

Wiring Colour Scheme Phases.....: Black Control 230V.....: Red Neutral.....: Light Blue 24 VAC.....: Violet 24 VAC Ground.: White 24 VDC.....: Dark Blue 0-10 VDC.....: Orange Analogue Inputs: Grey	TITLE SCHEMATIC WIRING DIAGRAM McDONALDS IDF3BDX180, 200(EBM)MOD UNIT	DRAWN JC		
	CLIENT McDONALDS STANDARD	DATE 28/01/2013		
		CHECKED SH	DRAWING No IDF3BDX180,200(EBM)MOD	
		APPROVED	REVISION	SHEET 5 of 5



REV	DATE	DESCRIPTION

Wiring Colour Scheme
 Phases.....: **Black**
 Control 230V.....: **Red**
 Neutral.....: **Light Blue**
 24 VAC.....: **Violet**
 24 VAC Ground.: **White**
 24 VDC.....: **Dark Blue**
 0-10 VDC.....: **Orange**
 Analogue Inputs: **Grey**

TITLE
 SCHEMATIC WIRING DIAGRAM McDONALDS
 IDF4BDX240(EBM)MOD UNIT

CLIENT
 McDONALDS STANDARD

DRAWN JC

DATE 28/01/2013

CHECKED SH

APPROVED

DESCRIPTION

NORDAIRNICHE

JOB No STD

DRAWING No IDF4BDX240(EBM)MOD

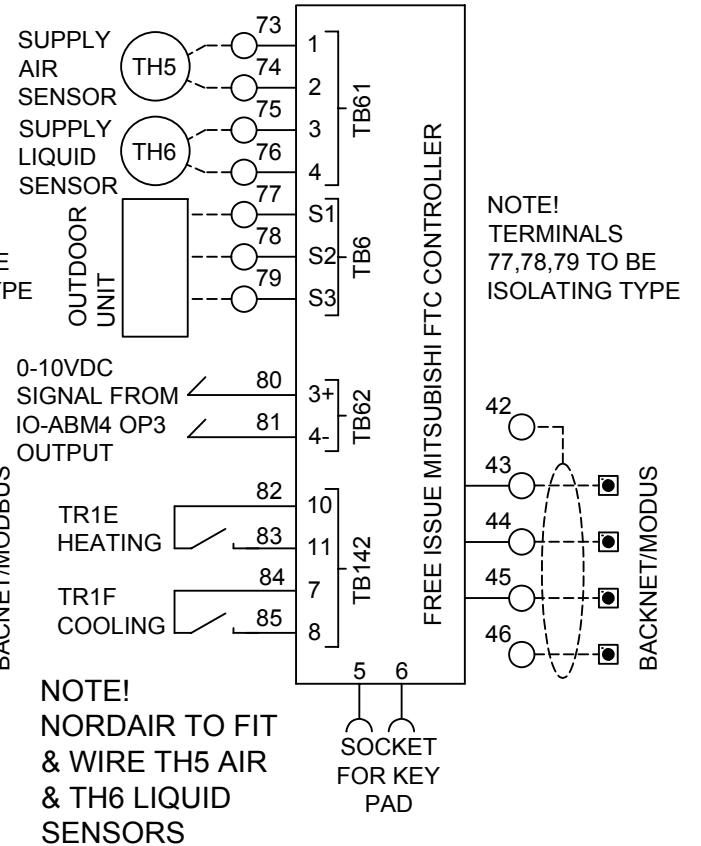
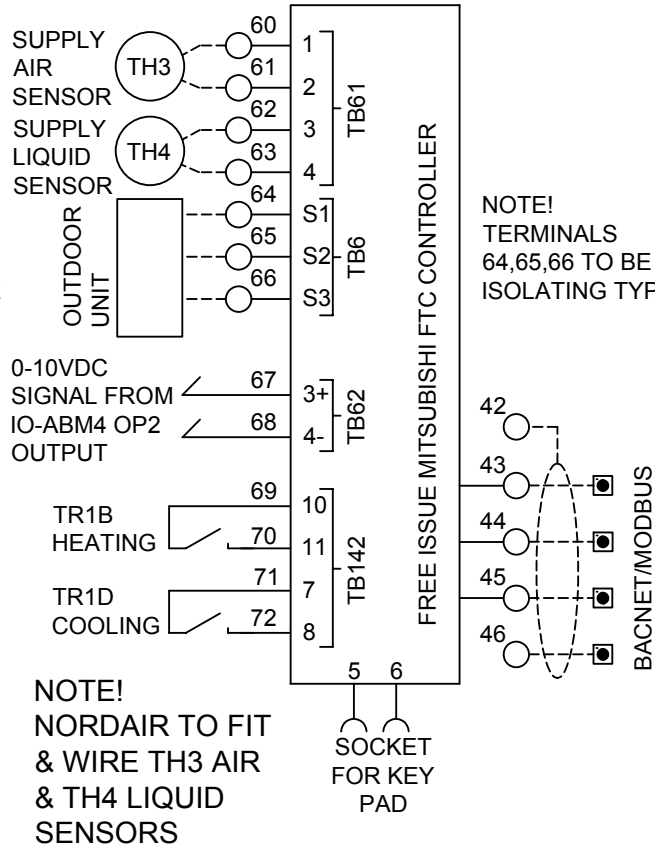
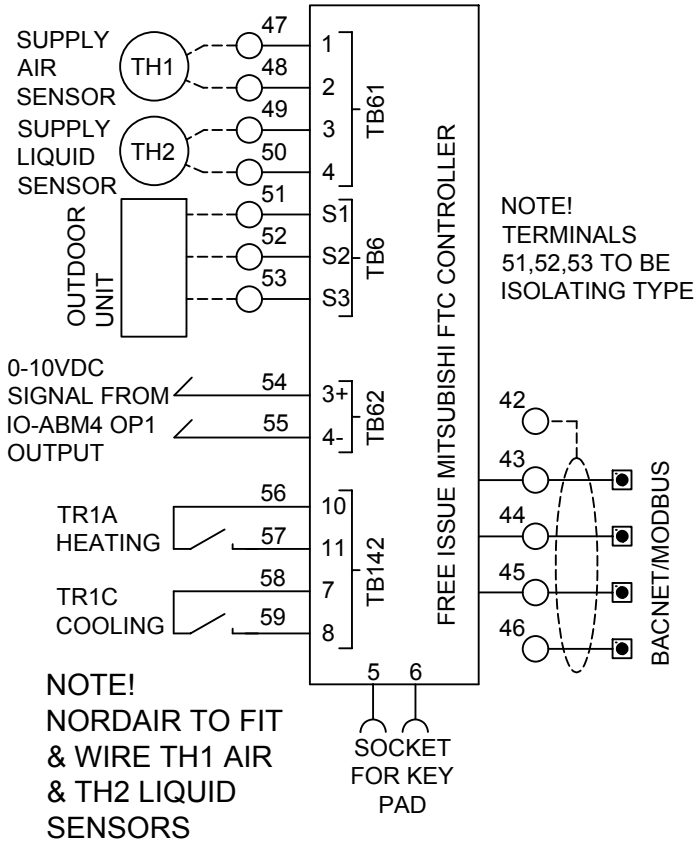
REVISION

SHEET 1 of 5

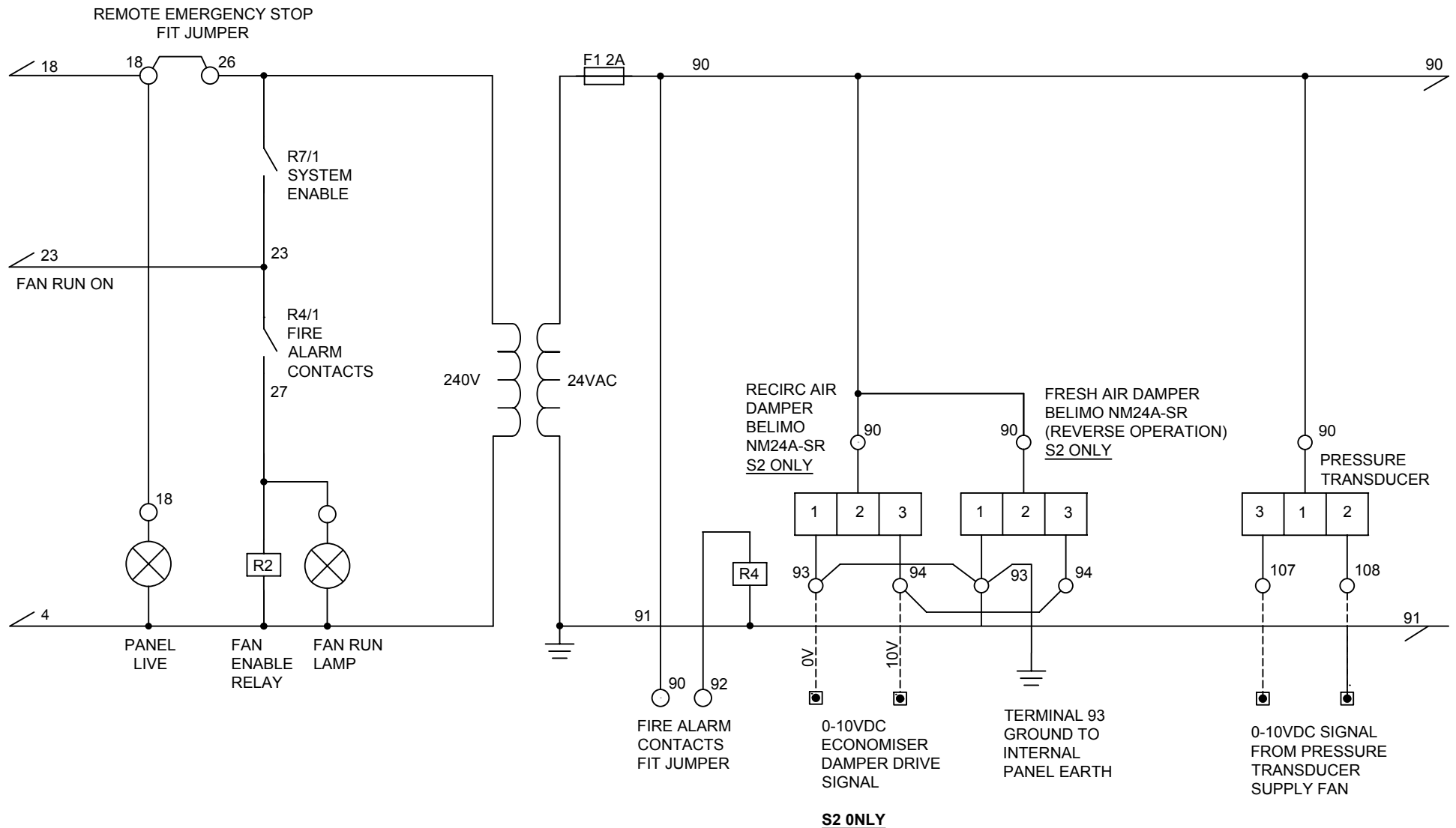
**FTC 1 POWER FEED
VIA OUTDOOR UNIT**

**FTC 2 POWER FEED
VIA OUTDOOR UNIT**

**FTC 3 POWER FEED
VIA OUTDOOR UNIT**



REV	DATE	DESCRIPTION	
<p>Wiring Colour Scheme Phases.....: Black Control 230V.....: Red Neutral.....: Light Blue 24 VAC.....: Violet 24 VAC Ground.: White 24 VDC.....: Dark Blue 0-10 VDC.....: Orange Analogue Inputs: Grey</p>			
<p>TITLE SCHEMATIC WIRING DIAGRAM McDONALDS IDF4BDX240(EBM)MOD UNIT</p>		<p>DRAWN JC</p>	<p>NORDAIRNICHE</p>
<p>CLIENT McDONALDS STANDARD</p>		<p>DATE 28/01/2013</p>	<p>JOB No STD</p>
		<p>CHECKED SH</p>	<p>DRAWING No IDF4BDX240(EBM)MOD</p>
		<p>APPROVED</p>	<p>REVISION SHEET 2 of 5</p>



REV	DATE	DESCRIPTION

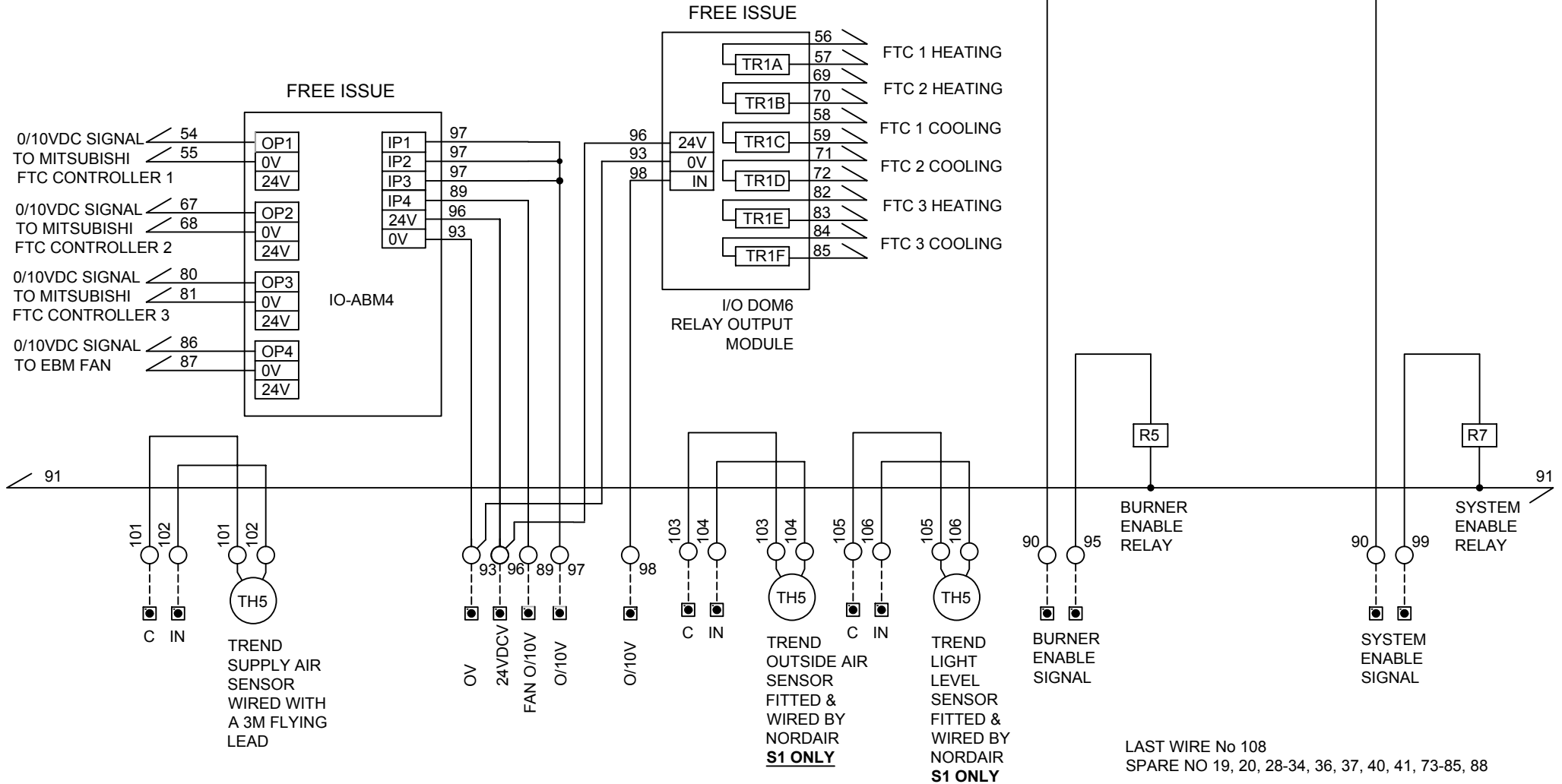
Wiring Colour Scheme
 Phases.....: **Black**
 Control 230V.....: **Red**
 Neutral.....: **Light Blue**
 24 VAC.....: **Violet**
 24 VAC Ground.: **White**
 24 VDC.....: **Dark Blue**
 0-10 VDC.....: **Orange**
 Analogue Inputs: **Grey**

TITLE
 SCHEMATIC WIRING DIAGRAM McDONALDS
 IDF4BDX240(EBM)MOD UNIT

CLIENT
 McDONALDS STANDARD

DRAWN	JC
DATE	28/01/2013
CHECKED	SH
APPROVED	

NORDAIRNICHE	
JOB No	STD
DRAWING No	IDF4BDX240(EBM)MOD
REVISION	SHEET 3 of 5



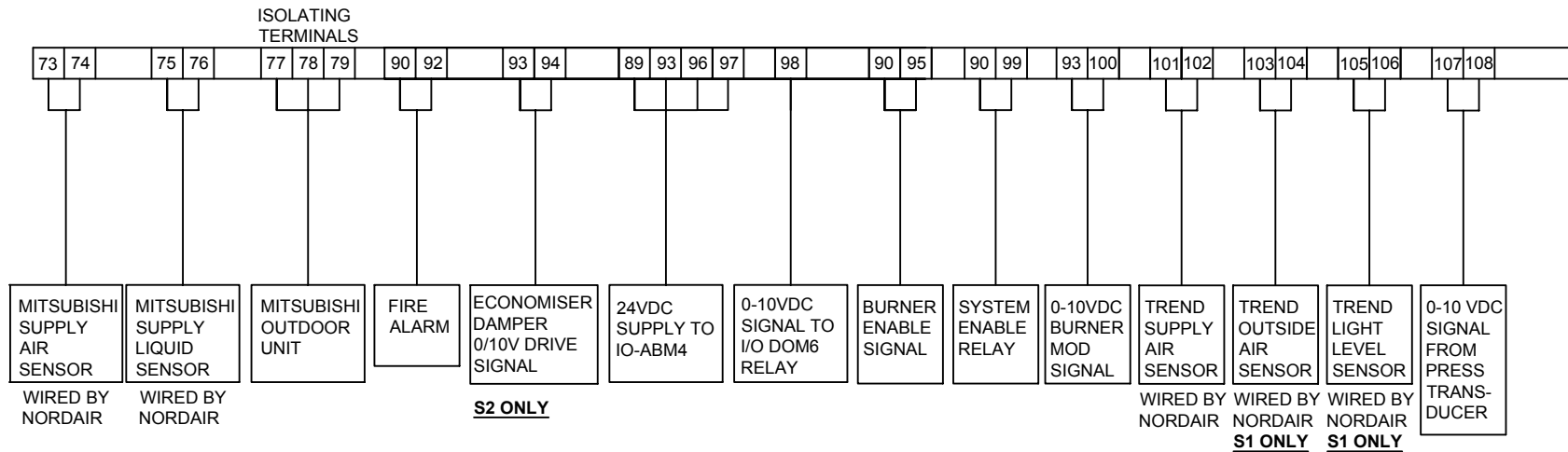
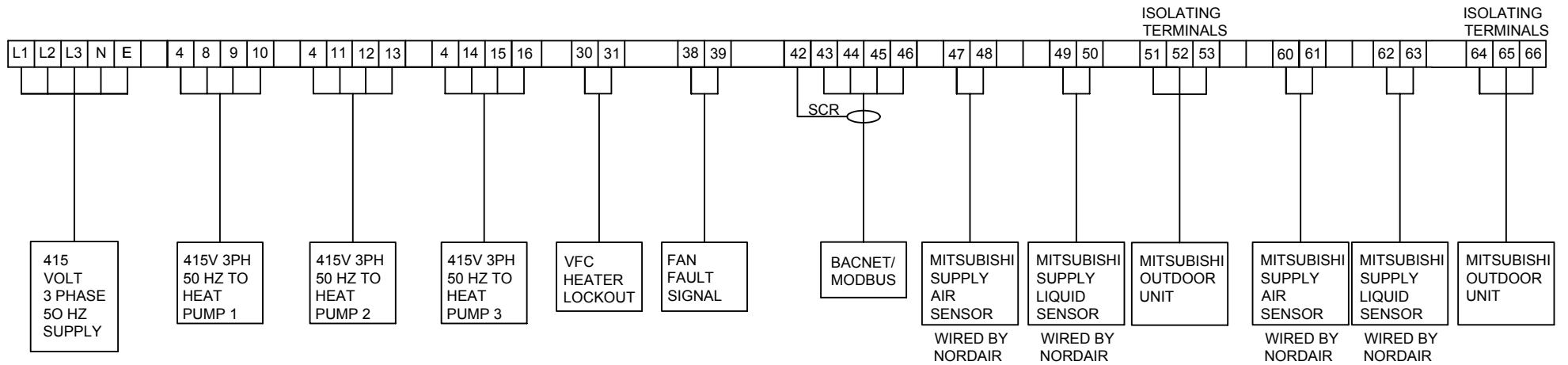
LAST WIRE No 108
 SPARE NO 19, 20, 28-34, 36, 37, 40, 41, 73-85, 88

Wiring Colour Scheme
 Phases.....: **Black**
 Control 230V.....: **Red**
 Neutral.....: **Light Blue**
 24 VAC.....: **Violet**
 24 VAC Ground.: **White**
 24 VDC.....: **Dark Blue**
 0-10 VDC.....: **Orange**
 Analogue Inputs: **Grey**

TITLE	SCHEMATIC WIRING DIAGRAM McDONALDS IDF4BDX240(EBM)MOD UNIT
CLIENT	McDONALDS STANDARD

DRAWN	JC
DATE	28/01/2013
CHECKED	SH
APPROVED	

REV	DATE	DESCRIPTION
NORDAIRNICHE		
	JOB No	STD
	DRAWING No	IDF4BDX240(EBM)MOD
REVISION	SHEET	4 of 5



REV	DATE	DESCRIPTION
-----	------	-------------

Wiring Colour Scheme Phases.....: Black Control 230V.....: Red Neutral.....: Light Blue 24 VAC.....: Violet 24 VAC Ground.: White 24 VDC.....: Dark Blue 0-10 VDC.....: Orange Analogue Inputs: Grey	TITLE SCHEMATIC WIRING DIAGRAM McDONALDS IDF4BDX240(EBM)MOD UNIT	DRAWN JC		
	CLIENT McDONALDS STANDARD	DATE 28/01/2013		
		CHECKED SH	DRAWING No IDF4BDX240(EBM)MOD	
		APPROVED	REVISION	SHEET 5 of 5